

Substation Circuit Breaker Replacement Parts

Class 6065

Data Bulletin

6065DB1301

04/2013

CONTENTS

Circuit Breaker	Page
Type EOX, 15.5–25.8 kV, 125 kV BIL, 1200–2000 A	3
Type EVR, 15.5 kV, 110 kV BIL, 600–1200 A	5
Type FB SF ₆ , Series 1, 15.5–38 kV, 110–150 kV BIL, 1200 A	6
Type FB SF ₆ , Series 2, 15.5–38 kV, 110–150 kV BIL, 1200 A	10
Type FB SF ₆ , Series 1 and 2, 15.5–38 kV, 110–150 kV BIL, 1200 A ...	14
Type FC SF ₆ , 15–38kV, 110–150 kV BIL, 1200–3000 A	15
Type FG-4 SF ₆ , 15–38kV, 110–150 kV BIL, 1200–3000 A	16
Type FVBS-A, 15.5–25.8 kV, 110–125 kV BIL, 600–3000 A	18
Type FVR, 15–38 kV, 110–200 kV BIL, 1200–4000 A	22
Type VOX SF ₆ , 38 kV, 200 kV BIL, 1200–2000 A	30

Please contact the CATS group for pricing and availability.

Email: cats@schneider-electric.com

NOTE: Any part may become obsolete without notice. Listing a part in this document is not a guarantee that the part is available. The appearance of the parts shown in this document may vary from that of the actual parts. Use this document solely as a guide for parts identification.

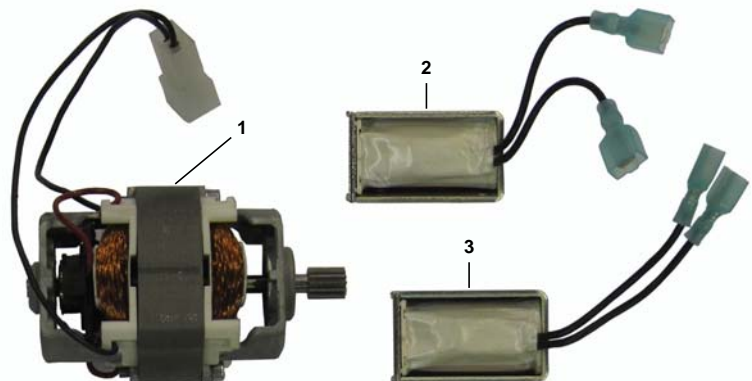
Introduction

This data bulletin identifies replacement parts for Medium Voltage, Substation Circuit Breakers manufactured by Schneider Electric.

Type EOX, 15.5–25.8 kV, 125 kV BIL, 1200–2000 A with Spiral Spring Operating Mechanism

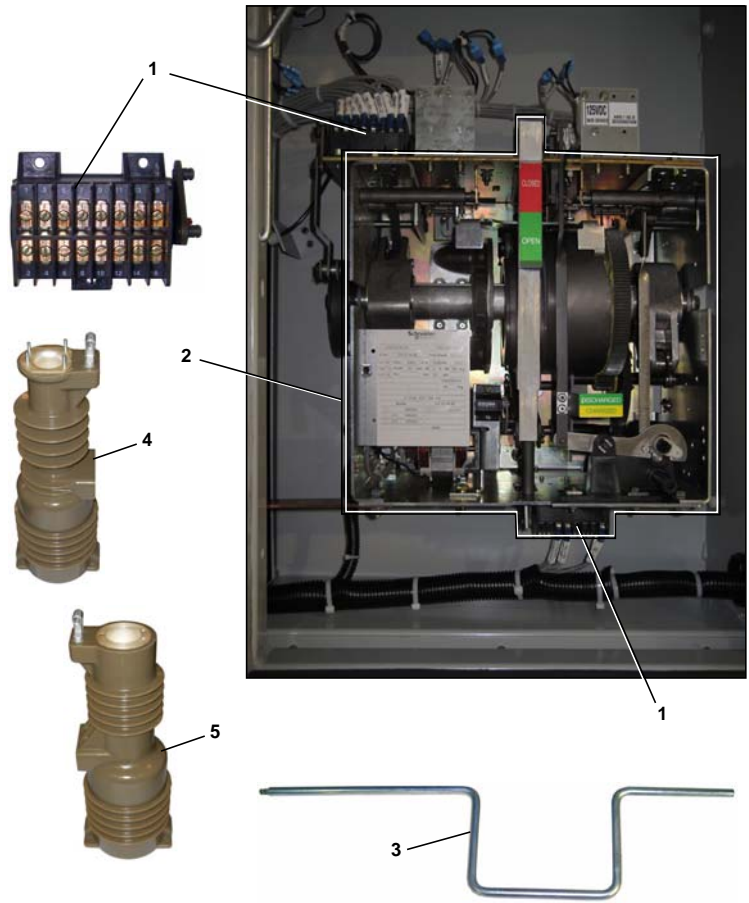
Item	Description	Replacement Kit / Part Number	Ratings
1 on pg. 23	Bushings	46011-664-50 ▲■	1200 A
		46011-664-51 ▲■	2000 A
1	Spiral Spring Charging Motor	DRCN018581 ◆	24 VDC
		Not available ◆	48 VDC
		DRCN018582 ◆	110–125 VDC
		DRCN018583 ◆	220 VDC
		DRCN018582 ◆	110–127 VAC
		DRCN018583 ◆	230 VAC
		2	Trip Coil
M55022/12 ◆	48 VDC		
M55022/14 ◆	110 VDC		
M55022/15 ◆	125 VDC		
M55022/16 ◆	220 VDC		
M55022/17 ◆	110 VAC		
M55022/18 ◆	127 VAC		
M55022/19 ◆	230 VAC		
3	Closing Coil	M55022/01 ◆	24 VDC
		M55022/02 ◆	48 VDC
		M55022/04 ◆	110 VDC
		M55022/05 ◆	125 VDC
		M55022/06 ◆	220 VDC
		M55022/07 ◆	110 VAC
		M55022/08 ◆	127 VAC
		M55022/09 ◆	230 VAC

- ▲ Same as FVR part.
- Same as EVR part.
- ◆ Same as VOX part.



Item	Description	Replacement Kit / Part Number	Ratings
Miscellaneous			
8 on pg. 29	Heaters	46028-126-01, 02, 03 ▲■	500 w, 240 V - 125 w, 120 V, Single or Stacked
		46028-127-01, 02 ▲■	1200 w, 240 V - 300 w, 120 V, Single or Stacked
9 on pg. 29	Thermostat and Nameplate Assy.	44050-076-60 ▲■◆	70–130° F, 30 A @ 120/240 VAC
Not shown	Anti-pump Relay	M55026/905 ◆	Not applicable
1	Auxiliary Contact 4NO + 4NC	M15010/001 ◆	
2	Mechanism M5S (Spring)	DRCN01794-01	
3	Spring Charging Handle	VOX7018 ◆	
2 on pg. 30	Undervoltage Coil	M55019/005 ◆	
4	Insulating Enclosure, 1200 A	DRCN01776-01	1200 A
5	Insulating Enclosure, 2000 A	DRCN01776-02	2000 A

- ▲ Same as FVR part.
- Same as EVR part.
- ◆ Same as VOX part.



**Type EVR, 15.5 kV, 110 kV BIL,
600–1200 A**



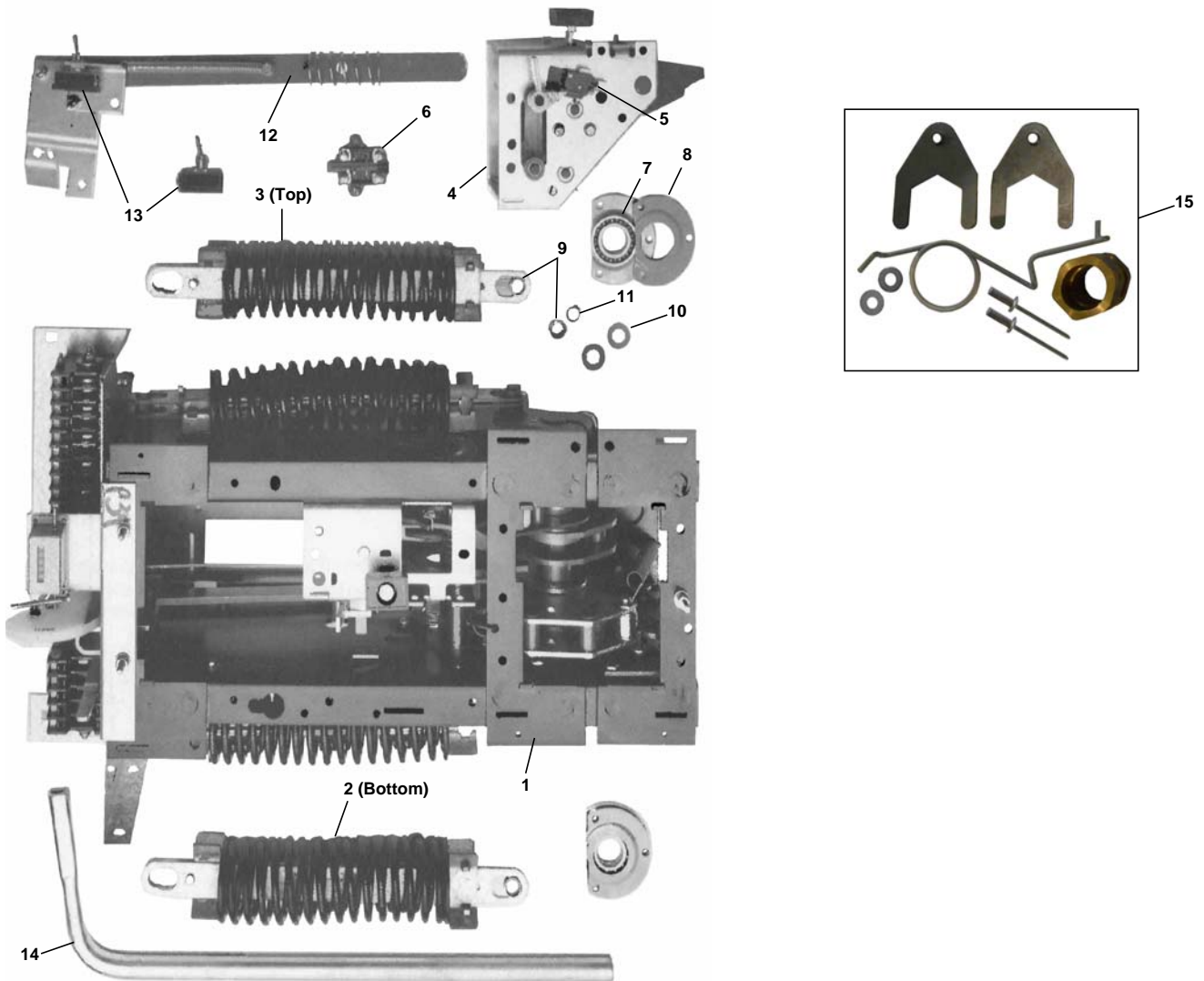
Item	Description	Replacement Kit / Part Number	Ratings
Air Filters			
1	25.0 in. x 3.5 in.	46011-560-01	Not applicable
2	24.0 in. x 8.0 in.	46011-591-01	
3	31.0 in. x 8.0 in.	46011-860-01	
3 on pg. 22	Anti-pump Relays	46011-671-50 ▲ 46011-671-51 ▲ 46011-671-52 ▲ 46011-671-53 ▲ 46011-671-54 ▲	48 VDC 125 VDC 250 VDC 120 VAC 240 VAC
1 on pg. 23	Bushing	46011-664-50 ▲ 46011-659-50 ▲	1200 A 48 VDC
2 on pg. 23	Charging Motor and Gear Box Assembly	46011-659-51 ▲ 46011-659-52 ▲ 46011-659-51 ▲ 46011-659-52 ▲	125 VDC 250 VDC 120 VAC 240 VAC
3 on pg. 23	Closing Coil	46011-672-53 ▲ 46011-672-51 ▲ 46011-672-51 ▲ 46011-672-53 ▲ 46011-672-51 ▲	48 VDC 125 VDC 250 VDC 120 VAC 240 VAC
Mechanism			
Not shown	Auxiliary Switch	46011-676-50 ▲	Not applicable
	Bauman Clip (Closing Spring)	886917 ▲	
	Breaker Module	46012-346-50	
5 on pg. 25	Latch Check Switch	46011-675-50 ▲	
6 on pg. 25	Motor Limit Switch	46011-677-50 ▲	
	Operations Counter	29060-21003	
	Counter Assembly, Close (standard)	46040-686-50	
	Counter Assembly, Open (non-std.)	46040-686-51	
Phase Barrier Assemblies			
Not shown	Phase Barriers EVR-0	46011-615-01	EVR-0
		46012-328-02	
		46012-328-03	
		46012-329-01	
Not shown	Phase Barriers EVR-1	46011-615-01	EVR-1
		46012-328-04	
		46012-328-05	
		46012-329-01	
Trip Coils			
1 on pg. 28	Single Trip Coil	46011-673-50 ▲	24 VDC
		46011-673-54 ▲	48 VDC
		46011-673-52 ▲	125 VDC
		46011-673-53 ▲	250 VDC
		46011-673-54 ▲	120 VAC
		46011-673-55 ▲	240 VAC
1 on pg. 28	Dual Trip Coil	46011-673-50 ▲	24 VDC
		46011-673-54 ▲	48 VDC
		46011-673-52 ▲	125 VDC
		46011-673-53 ▲	250 VDC
		46011-673-54 ▲	120 VAC
		46011-673-55 ▲	240 VAC
3 on pg. 28	Undervoltage Trip Coil	46011-684-50 ▲	24 VDC
		46011-684-51 ▲	48 VDC
		46011-684-52 ▲	125 VDC
		46011-684-53 ▲	250 VDC
		46011-684-51 ▲	120 VAC
		46011-684-55 ▲	240 VAC
Miscellaneous			
6 on pg. 26	Closing Spring Assembly	46011-732-50 ▲	Not applicable
Not shown	Heaters	46012-404-01	500 w/240 V, strip heater
		46012-004-01	500 w/240 V, fin type
9 on pg. 29	Thermostat and Nameplate Assy.	44050-076-60 ▲★◆	70–130° F, 30 A @ 120/240 VAC

- ▲ Same as FVR part.
- ★ Same as EOX part.
- ◆ Same as VOX part.

**Type FB SF₆, Series 1, 15.5–38 kV,
 110–150 kV BIL, 1200 A**

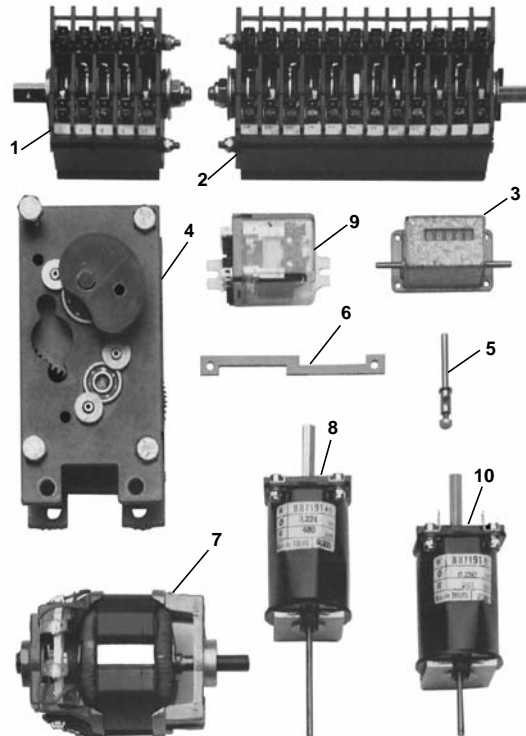
Item	Description	Replacement Kit / Part Number	Ratings
1	GMh Mechanism Assembly	730221C ▼ △	Not applicable
2	Mechanism Spring, Bottom	Contact factory	
3	Mechanism Spring, Top		
4	Latch Mechanism Subassembly	9011400C1 ▼ △	
5	Latch Check Switch	25711504 ▼	
6	End of Charge Switch	44080-588-01 ▼ △	
7	Bearing, FB Bottle Shaft	877791 ▼	
8	Bearing Cover	887568 ▼	
9	Spring End Bushing (14 mm)	883788	
10	Flat Washer (14 mm)	21222014	
11	Snap Ring (14 mm)	21213314	
12	Emergency Trip Assembly	Contact factory	
13	Emergency Trip Lockout Switch		
14	Manual Charging Handle	44080-386-01 ▼	
15	Bias Spring Replacement Kit	46011-495-50 ▼	

▼ Same as FB Series 2 part.
 △ Part is obsolete.



Item	Description	Replacement Kit / Part Number	Ratings
Auxiliary Switches			
1	5-Contact Block	44065-038-50 ▼□	Not applicable
2	12-Contact Block	44065-038-52 ▼□	
3	Operations Counter	1502403 ▼	
4	Motor Gear Box Assembly	887642A ▼△	
5	Operations Counter Operating Arm	759501 ▼	
6	Indicator Connecting Link	755669 ▼	
7	Spring Charging Motor	B44065-357-01	24 VDC
		B44065-357-02	48 VDC
		B44065-357-03	125 VDC
		B44065-357-04	250 VDC
		B44065-357-05	120 VAC
		B44065-357-06	240 VAC
8	Closing Coil	C44065-033-01	24 VDC
		C44065-033-02	48 VDC
		C44065-033-03	125 VDC
		C44065-033-04	250 VDC
		C44065-033-05	120 VAC
		C44065-033-06	240 VAC
9	Anti-pump Relay; Class 8501, Type KF	8501KFD12-24VDC ▼	24 VDC
		KUP11D55-48VDC ▼	48 VDC
		8501KFD12-110VDC ▼	125 VDC
		8501KFD12-125VDC	250 VDC
		8501KFD12-120/60 ▼	120 VAC
		44050-266-01 ▼	240 VAC
10	Trip Coil	C44080-384-01	24 VDC
		C44080-384-02	48 VDC
		C44080-384-03	125 VDC
		C44080-384-04	250 VDC
		C44080-384-05	120 VAC
		C44080-384-06	240 VAC

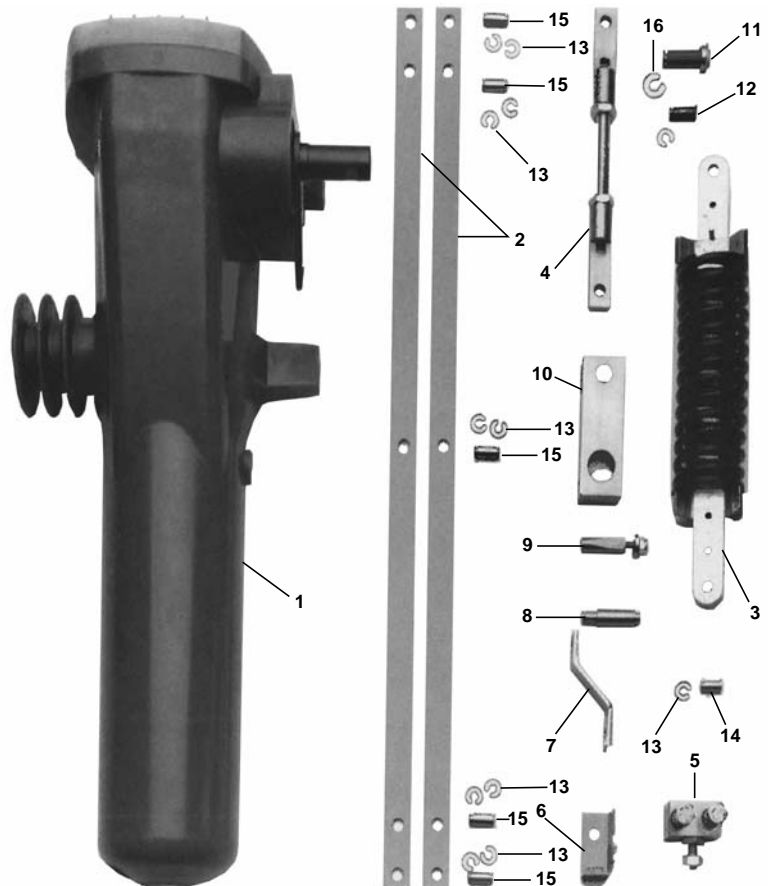
▼ Same as FB Series 2 part.
□ Same as FG-4 part.
△ Part is obsolete.



Item	Description	Replacement Kit / Part Number	Ratings
1	FB Interrupter without Pressure Switch	44081-366-01 (730031B/730759B) ▼ △	Not applicable
	FB Interrupter with Pressure Switch	730031B/730759C ▼ △	
2	Interpole Connecting Rod (2)	44080-445-01	15.5 kV
		44080-446-01	25.8 kV
		44080-447-01	38 kV
		44080-187-01 ▼	200 kV
3	Opening Spring Assembly	730056DJ ▼	Not applicable
4	Connecting Rod Assembly	44081-428-50 ▼	15.5 kV
		44081-428-51 ▼	25.8 kV
		44081-428-51 ▼	38 kV
		Contact factory	200 kV
5	Stop Block Assembly	Contact factory	Not applicable
6	Doble Analyzer Connector	44081-111-50	
7	Anchor Pin Support	755504 ▼	
8	Opening Spring Anchor Pin	755503 ▼	
9	Locking Pin Assembly	1022263 ▼	
10	Opening Crank	755914 ▼	
11	M14 x 37 mm Bronze Pin	755497 ▼	
12	M10 x 21.5 mm Head Bronze Pin	755915 ▼	
13	M10 Bauman Ring	21217108 ▼	
14	M9.7 x 15 mm Head Bronze Pin	755549 ▼	
15	M10 x 18 mm Bronze Pin	44080-189-01 ▼	
16	M14 Bauman Ring	21217110 ▼	
Not shown	Gas Pressure Check Tool	Use tire gauge	

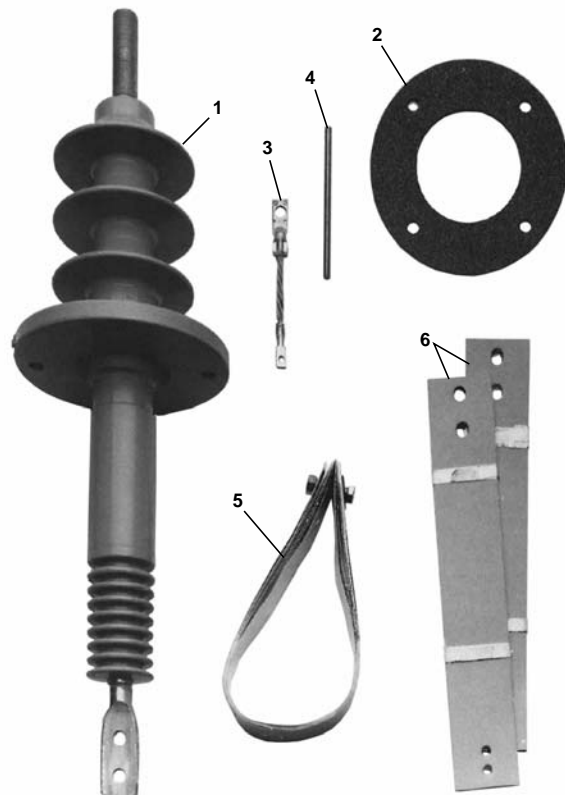
▼ Same as FB Series 2 part.

△ Part is obsolete.



Item	Description	Replacement Kit / Part Number	Ratings
1	Bushing, 1200 A	44080-099-01	15.5 kV
		44080-099-02	25.8 kV
		44080-099-03	38 kV
	Bushing, 1200 A 3 CTs	44080-099-07 ▼	200 kV
	Bushing, 1200 A 2 CTs	Not Available	200 kV
	Bushing Clamp Plate	44080-159-01	15.5 kV
		44080-159-01	25.8 kV
44080-152-01		38 kV	
44080-152-01		200 kV	
2	Bushing Gasket or O-Ring	20906-08600	15.5 kV
		20906-08600	25.8 kV
		29206-00891	38 kV
		20906-08600 ▼	200 kV
3	Ground Strap	None	Not applicable
4	CT Support Stud, 3/8-16 x 4-1/4 in.	Contact factory	Not applicable
	CT Support Stud, 3/8-16 x 6-1/2 in.		
	CT Support Stud, 3/8-16 x 8-3/4 in.		
5	Top Flex Connector 1200 A	44080-167-04, 05, 06	15.5 kV
		44080-372-02	25.8 kV
		44080-372-02	38 kV
		44080-884-01 ▼	200 kV
6	End Flex Connector 1200 A	44080-168-04, 05, 06	15.5 kV
		44080-371-02	25.8 kV
		44080-371-02	38 kV
		44080-885-01 ▼	200 kV
Not shown	Anderson Block Connector	44080-370-04	15.5 kV
		44080-370-04	25.8 kV
		44080-370-01	38 kV
		44080-370-04	200 kV

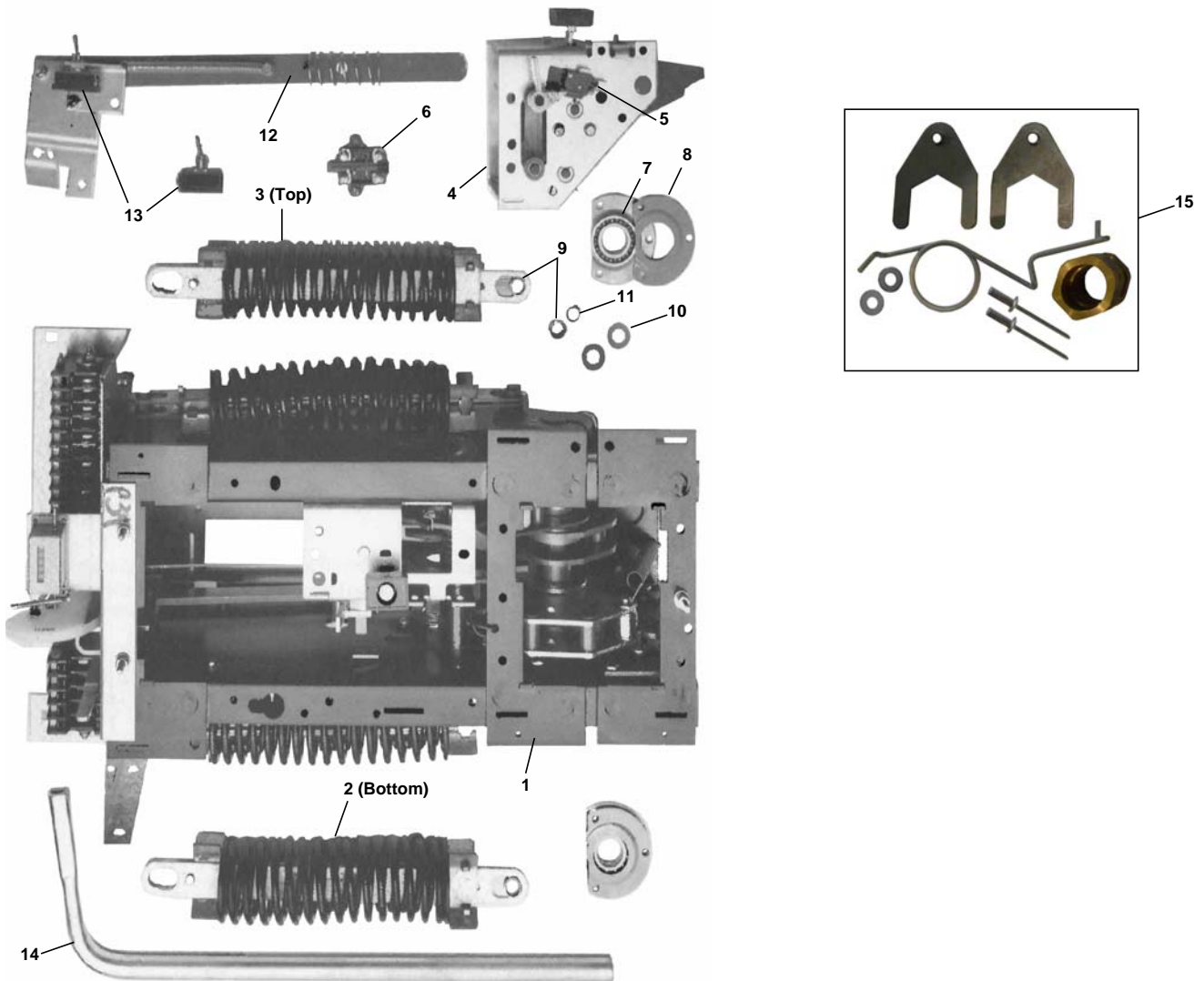
▼ Same as FB Series 2 part.



**Type FB SF₆, Series 2, 15.5–38 kV,
 110–150 kV BIL, 1200 A**

Item	Description	Replacement Kit / Part Number	Ratings
1	GMh Mechanism Assembly	730221C ◊ △	Not applicable
2	Mechanism Spring, Bottom	887637EE	
3	Mechanism Spring, Top	887637EN	
4	Latch Mechanism Subassembly	9011400C1 ◊ △	
5	Latch Check Switch	25711504 ◊	
6	End of Charge Switch	25710904 ◊ △	
7	Bearing, FB Bottle Shaft	877791 ◊	
8	Bearing Cover	887568 ◊	
9	Spring End Bushing (12 mm)	888005	
10	Flat Washer (12 mm)	21222012	
11	Snap Ring (12 mm)	29915-03050	
12	Emergency Trip Assembly	44081-430-50	
13	Emergency Trip Lockout Switch	26202-01103	
14	Manual Charging Handle	44080-386-01 ◊	
15	Bias Spring Replacement Kit	46011-495-50 ◊	

◊ Same as FB Series 1 part.
 △ Part is obsolete.

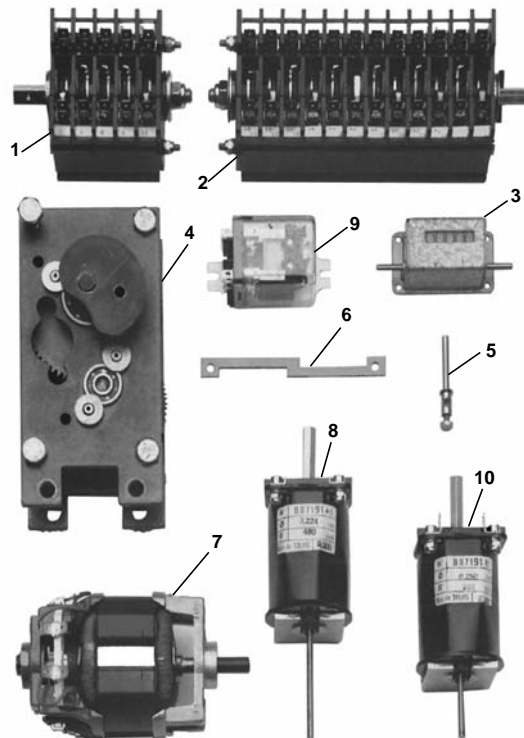


Item	Description	Replacement Kit / Part Number	Ratings
Auxiliary Switches			
1	5-Contact Block	44065-038-50 ◊ □	Not applicable
2	12-Contact Block	44065-038-52 ◊ □	
3	Operations Counter	1502403 ◊	
4	Motor Gear Box Assembly	887642A ◊ △	
5	Operations Counter Operating Arm	759501 ◊	
6	Indicator Connecting Link	755669 ◊	
7	Spring Charging Motor	886657	24 VDC
		886658	48 VDC
		886661	125 VDC
		886662	250 VDC
		886661	120 VAC
8	Closing Coil	886662	240 VAC
		44065-389-01	24 VDC
		44065-389-02	48 VDC
		44065-389-03	125 VDC
		44065-389-04	250 VDC
9	Anti-pump Relay; Class 8501, Type KF	44065-389-05	120 VAC
		44065-590-01	240 VAC
		8501KFD12-24VDC ◊	24 VDC
		KUP11D55-48VDC ◊	48 VDC
		8501KFD12-110VDC ◊	125 VDC
10	Trip Coil	8501KFD12-125VDC	250 VDC
		8501KFD12-120/60 ◊	120 VAC
		44050-266-01 ◊	240 VAC
		44080-590-20	24 VDC
		44080-590-21	48 VDC
		44080-389-23	125 VDC
		887191BJ	125 VDC, 3 A
44080-590-22	250 VDC		
	44080-389-25	120 VAC	
	44080-389-26	240 VAC	

◊ Same as FB Series 1 part.

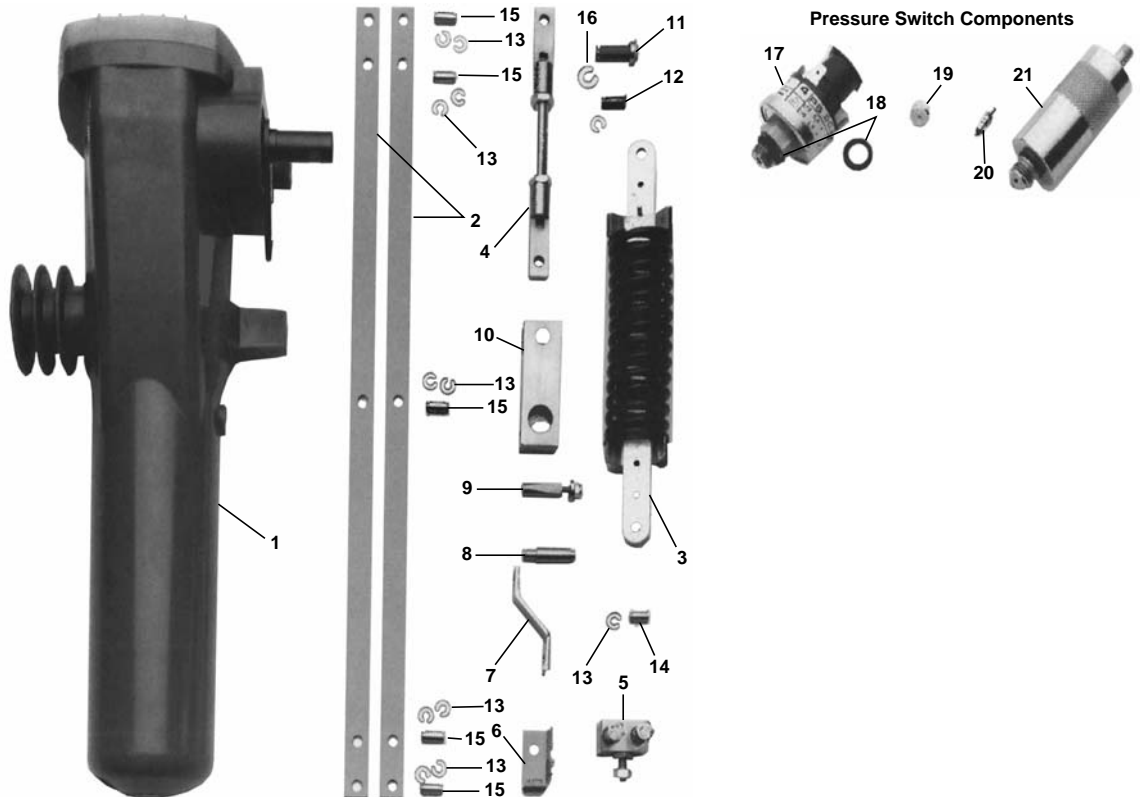
□ Same as FG-4 part.

△ Part is obsolete.



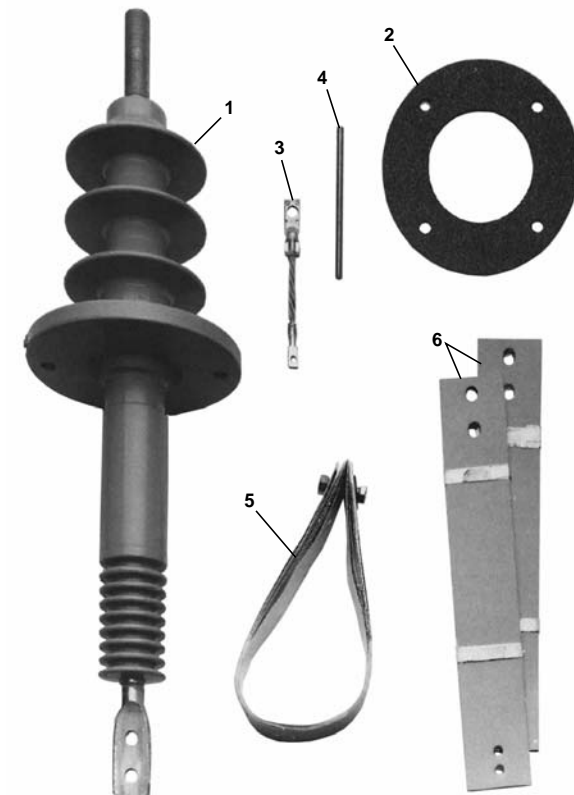
Item	Description	Replacement Kit / Part Number	Ratings
1	FB Interrupter without Pressure Switch	44081-366-01 (730031B/730759B) ◊ ◊	Not applicable
	FB Interrupter with Pressure Switch	730031B/730759C ◊ ◊	
2	Interpole Connecting Rod (2)	44081-339-01	15.5 kV
		44081-339-02	25.8 kV
		44081-339-03	38 kV
		44080-187-01 ◊	200 kV
3	Opening Spring Assembly	730056DJ ◊	Not applicable
4	Connecting Rod Assembly	44081-428-50 ◊	15.5 kV
		44081-428-51 ◊	25.8 kV
		44081-428-51 ◊	38 kV
		Contact factory	200 kV
5	Stop Block Assembly	44081-429-50	Not applicable
6	Doble Analyzer Connector	44080-253-50	
7	Anchor Pin Support	755504 ◊	
8	Opening Spring Anchor Pin	755503 ◊	
9	Locking Pin Assembly	1022263 ◊	
10	Opening Crank	755914 ◊	
11	M14 x 37 mm Bronze Pin	755497 ◊	
12	M10 x 21.5 mm Head Bronze Pin	755915 ◊	
13	M10 Bauman Ring	21217108 ◊	
14	M9.7 x 15 mm Head Bronze Pin	755549 ◊	
15	M10 x 18 mm Bronze Pin	44080-189-01 ◊	
16	M14 Bauman Ring	21217110 ◊	
17	Pressure Switch (.5 Bar)	730759C	
18	O-Ring	730407	
19	Valve Disc	730307	
20	Valve Core	1788280	
21	Gas Pressure Check Tool	44081-399-50 ◊	

◊ Same as FB Series 1 part.
 ◊ Part is obsolete.



Item	Description	Replacement Kit / Part Number	Ratings
1	Bushing, 1200 A	44080-099-01	15.5 kV
		44080-099-02	25.8 kV
		44080-099-03	38 kV
	Bushing, 1200 A 3 CTs	44080-099-07 ◊	200 kV
	Bushing, 1200 A 2 CTs	Not Available	200 kV
	Bushing Clamp Plate	44080-159-01	15.5 kV
		44080-159-01	25.8 kV
44080-152-01		38 kV	
44080-152-01		200 kV	
2	Bushing Gasket or O-Ring	20906-08600	15.5 kV
		20906-08600	25.8 kV
		29206-00891	38 kV
		20906-08600 ◊	200 kV
3	Ground Strap	None	Not applicable
4	CT Support Stud, 3/8-16 x 4-1/4 in.	Contact factory	Not applicable
	CT Support Stud, 3/8-16 x 6-1/2 in.		
	CT Support Stud, 3/8-16 x 8-3/4 in.		
5	Top Flex Connector 1200 A	44080-167-04, 05, 06	15.5 kV
		44080-372-02	25.8 kV
		44080-372-02	38 kV
		44080-884-01 ◊	200 kV
6	End Flex Connector 1200 A	44080-168-04, 05, 06	15.5 kV
		44080-371-02	25.8 kV
		44080-371-02	38 kV
		44080-885-01 ◊	200 kV
Not shown	Anderson Block Connector	44080-370-04	15.5 kV
		44080-370-04	25.8 kV
		44080-370-01	38 kV
		44080-370-04	200 kV

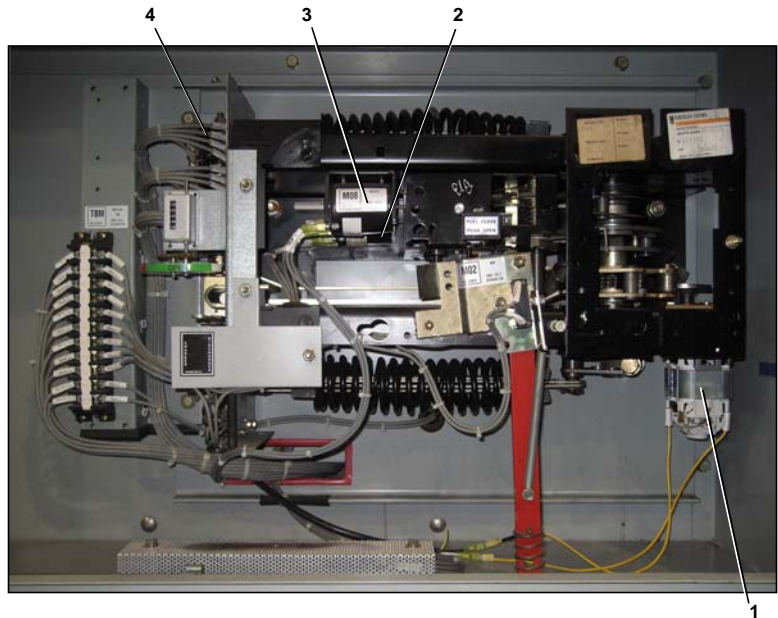
◊ Same as FB Series 1 part.



**Type FB SF₆, Series 1 and 2,
 15.5–38 kV, 110–150 kV BIL,
 1200 A**

Item	Description	Replacement Kit / Part Number	Rated
Not shown	Anti-pump Relay	44080-684-01	24 VDC
		44080-684-02	48 VDC
		44080-684-03	125 VDC
		44080-684-03 + Resistor 26160-21675	250 VDC
		44080-684-05	120 VAC
		44080-684-06	240 VAC
1	Charging Motor	886657	24 VDC
		886658	48 VDC
		886661	125 VDC
		886662	250 VDC
		886661	120 VAC
		886662	240 VAC
2	Closing Coil	887191AL	24 VDC
		887191AH	48 VDC
		887191AE	125 VDC
		887191AA	250 VDC
		887191AM	120 VAC
		887191AJ	240 VAC
3	Trip Coil	887191BM	24 VDC
		887191BJ	48 VDC
		887191BE	125 VDC
		887191BJ ☆	125 VDC
		887191BB	250 VDC
		887191BK	120 VAC
1 on pg. 4	Miscellaneous Auxiliary Contact 4NO + 4NC	M15010/001	Not applicable

☆ Special 3 A, 125 VDC.

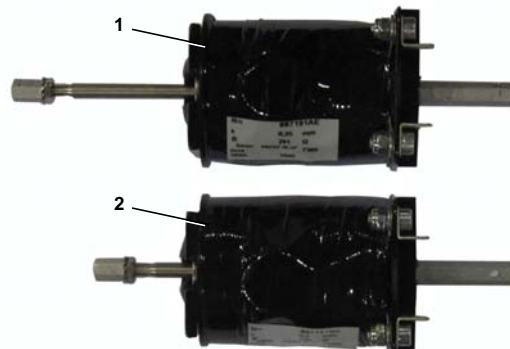


**Type FC SF₆, 15–38kV,
110–150 kV BIL, 1200–3000 A**

Item	Description	Replacement Kit / Part Number	Ratings
Not shown	Anti-pump Relay	44080-684-01	24 VDC
		44080-684-02	48 VDC
		44080-684-03	125 VDC
		44080-684-03 + Resistor 26160-21660	250 VDC
		44080-684-05	120 VAC
		44080-684-06	240 VAC
Not shown	Bushings	Order by circuit breaker serial number and description	
	Charging Motor	44065-031-06	24 VDC
44065-031-01		48 VDC	
44081-169-01		125 VDC	
44065-031-04		250 VDC	
44081-169-01		120 VAC	
44065-031-04		240 VAC	
1	Closing Coil	44080-590-01 / 887191AJ	24 VDC
		44080-590-03 / 887191AE	48 VDC
		44080-590-02 / 887191AB	125 VDC
		44080-590-04 / 887191AF ▽	250 VDC
		44080-590-02 / 887191AB ▽	120 VAC
		44080-590-02 ▽	240 VAC
Not shown	Interrupter	Order by circuit breaker serial number and description	
2	Trip Coil	44080-590-25	24 VDC
		44065-389-21 / 887191BL	48 VDC
		44080-590-24 / 887191BF	125 VDC
		44080-497-01 / 887191BJ ☆	125 VDC
		44080-590-23 / 887191BC	250 VDC
		44080-590-24 / 887191BF ▽	120 VAC
		44080-590-22 / 887191BB ▽	240 VAC

▽ Use with rectifier 44081-141-01.

☆ Special 3 A, 125 VDC.



**Type FG-4 SF₆, 15–38kV,
 110–150 kV BIL, 1200–3000 A**

Item	Description	Replacement Kit / Part Number	Ratings
Not shown	Anti-pump Relay	44080-684-01	24 VDC
		44080-684-02	48 VDC
		44080-684-03	125 VDC
		44080-684-03 + Resistor 26160-21675	250 VDC
		44080-684-05	120 VAC
		44080-684-06	240 VAC
1 on pg. 7 1 (below) 2 on pg. 7	Auxiliary Switches		Not applicable
	5-Contact Block	44065-038-50 ◉	
	9-Contact Block	44065-038-51	
	12-Contact Block	44065-038-52 ◉	
Not shown	Bushings	44081-311-01	15 kV, 1200 A
		44080-099-06	15 kV, 2000A
		44080-099-04	15 kV, 3000A
		44081-312-01	38 kV, 1200 A
		44080-099-05	38 kV, 2000 A
	Bushing Gaskets	44081-313-01	15 kV, 1200 A
		44081-313-01	15 kV, 2000A
		44081-313-02	15 kV, 3000A
		44081-313-02	38 kV, 1200 A
	Charging Motor	46010-049-01	38 kV, 2000 A
886657		24 VDC	
886658 ▲		48 VDC	
886661 ▲		125 VDC	
886662 ▲		250 VDC	
	886661 ▲	120 VAC	
	886662 ▲	240 VAC	

◉ Same as FB Series 1 and 2 part.
 ▲ Same as FVR part.



Item	Description	Replacement Kit / Part Number	Ratings
1	Closing Coil	887191AM	24 VDC
		887191AJ	48 VDC
		887191AE	125 VDC
		887191AB	250 VDC
		887191AF	120 VAC
		887191AB	240 VAC
Not shown	Interrupter Mechanism	730992B/730759D Δ	Not applicable
	Auxiliary Switches		
1 on pg. 7	5-Contact Block	44065-038-50 ●	Not applicable
2 on pg. 7	12-Contact Block	44065-038-52 ●	
6 on pg. 6	End of Charge Switch	44080-588-01 ●	
Not shown	Latch Mechanism Subassembly	887600B Δ	
2	Trip Coil	887191BN	24 VDC
		887191BL	48 VDC
		887191BF	125 VDC
		887191BJ ☆	125 VDC
		887191BC	250 VDC
		887191BF	120 VAC
		887191BB	240 VAC
	Miscellaneous		
Not shown	Gas Filling Kit	44081-399-50 Δ	Not applicable
	Motion Analyzer Adapter Assy.	46010-078-50	

Δ Part is obsolete.

● Same as FB Series 1 and 2 part.

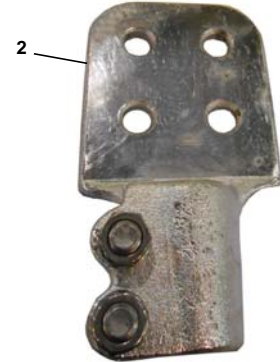
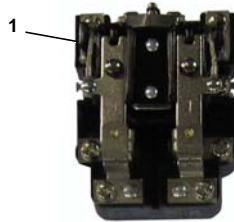
☆ Special 3 A, 125 VDC



**Type FVBS-A, 15.5–25.8 kV,
 110–125 kV BIL, 600–3000 A
 (1988 and newer)**

Item	Description	Replacement Kit / Part Number	Ratings
Not shown	Air Filter	29904-10911	Not applicable
1	Anti-pump Relay / Motor Relay	46049-09050	48 VDC
		8501CD022V60	125 VDC / 250 VDC
		8501CO16V20	120 VAC
		8501CO16V24	240 VAC
	Dust Cover, Anti-pump	46011-327-01	Not applicable
	Auxiliary Switches		
	6-pole	46011-301-50	Not applicable
	7-pole	46011-302-50	
	Dust Cover, 6-pole Aux. Switch	46011-318-01	
	Dust Cover, 7-pole Aux. Switch	46011-320-01	
	Bushings		
Not shown	Bushing	46011-130-01 Δ	15 kV, 1200 A, PP71925
		46011-131-01	15 kV, 2/3 kA, PP 71931
		46011-225-01	25 kV, 1200 A, PP71920
		46011-226-01	25 kV, 2/3 kA, PP 71921
		46011-431-50	15 kV, 1200 A, PP 71925-R
2	Bushing Terminal	HDSF121D3/812	1200 A, 1 1/4-12 Stud
		HDSF161D1/212	2/3 kA, 1 3/4-12 Stud
		HDSF201D1/212	2/3 kA, 2-12 Stud
Not shown	Charging Motor	46012-086-51	48 VDC
		46012-086-50	120 VAC / 125 VDC
		46012-086-52	240 VAC / 250 VDC

Δ Part is obsolete.



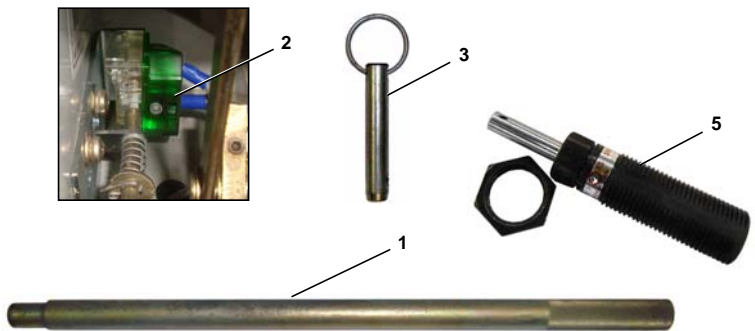
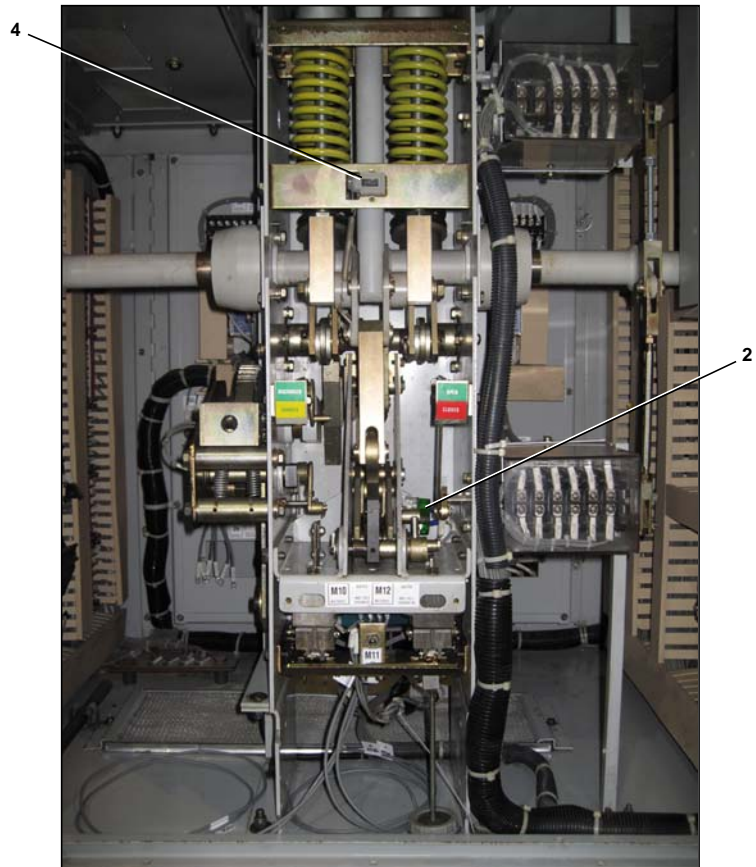
Item	Description	Replacement Kit / Part Number	Ratings	
1	Closing Coil	46011-055-01	24 VDC	
		46011-055-02	48 VDC / 240 VDC	
		46011-055-03	125 VDC / 240 VAC	
		46011-055-04	250 VDC	
		46011-055-05	120 VAC / 250 VDC	
Not shown	Cooling Fan Assembly	46011-019-50	15 kV	
		46011-019-51	25 kV	
2 on pg. 30	Motor, 120 VAC # 4C848	46011-172-01 ▲	15 kV	
Not shown	Motor, 120 VAC	46011-364-01	25 kV	
	Airflow Switch, Rotron	46011-285-01 ▲	Not applicable	
	Current Sensor, 3000/5	360R302		
	Relay, Off-delay, 10 Sec.	8501XO20XTD1V02 ▲		
	Relay, Current Sensing	RM3JA102FG7		
	Not shown	Interrupters		
		Interrupters	46011-160-01	5/15 kV, 1200 A, 23 kA
46011-260-01 △			25 kV	
Pole Assembly		46011-010-50 △	15 kV, 1200 A	
		46011-011-50 △	15 kV, 2/3 kA	
		46011-248-50 △	25 kV, 1200 A	
		46011-249-50 △	25 kV, 2/3 kA	
Pushrod Assembly		46011-135-50	15 kV	
	46011-242-50	25 kV		

▲ Same as FVR part.

△ Part is obsolete.



Item	Description	Replacement Kit / Part Number	Ratings
Mechanism			
1	Charging Handle	46011-087-01	Not applicable
Not shown	Handle, Slow Close	46011-069-50	
2	Latch Check Switch Assembly	44069-296-50	
3	Mechanism Blocking Pins	46011-059-01	
Not shown	Motor Cut-off Switch	26299-01226	
4	Operations Counter	29060-21003	
5	Shock Absorber	44071-016-01	



Item	Description	Replacement Kit / Part Number	Ratings
5	Trip Coil	46011-056-01	24 VDC
		46011-056-02	48 VDC / 125 VDC
		46011-056-03	125 VDC / 240 VAC
		46011-056-04	250 VDC
		46011-056-05	120 VAC
		46011-056-06	125 VDC *
	Miscellaneous		
Not shown	Barriers (optional)	46011-347-51	15 kV
		46011-374-50	25 kV
1 on pg. 29	Capacitor Trip Unit	46011-344-50 ▲	240 VAC / 330 VDC with light
		46011-344-51 ▲	240 VAC / 330 VDC without light
		46011-344-53 ▲	120 VAC / 170 VDC with light
		46011-344-54 ▲	120 VAC / 170 VDC without light
Not shown	Nameplate, CT	44081-423-01	Not applicable
	Nameplate, Rating	46011-070-01	
	Space Heaters	46049-31076	125 W, 120 V
		46049-31075	250 W, 120 V

* Special 10 A, 125 VDC

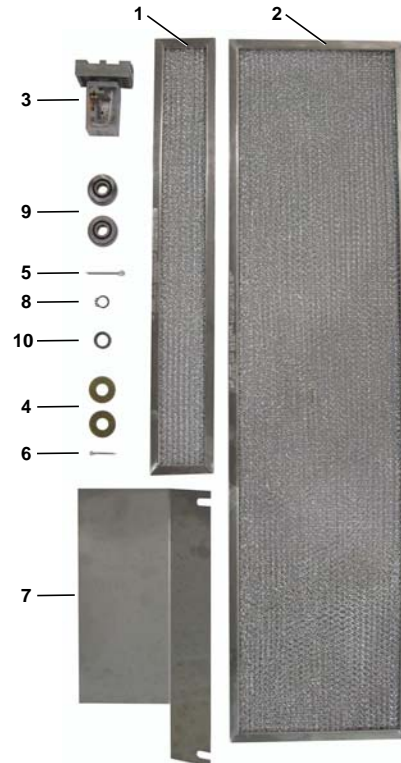
▲ Same as FVR part.



**Type FVR, 15–38 kV,
 110–200 kV BIL, 1200–4000 A**

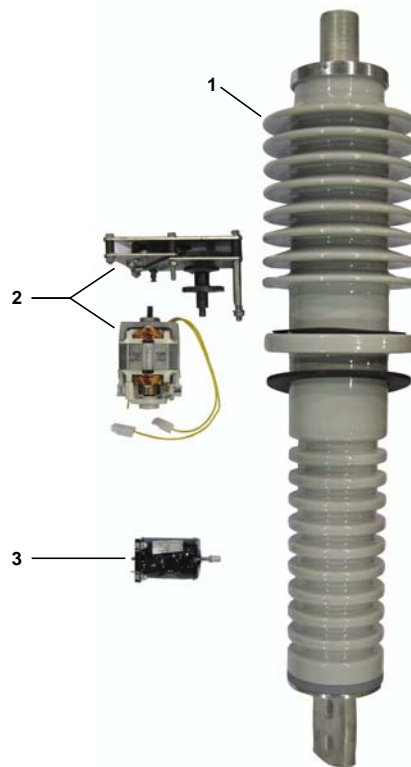
Item	Description	Replacement Kit / Part Number	Rated
Air Filters			
1	High Voltage Compartment	46011-680-50	1200/2000 A
2	Low Voltage Compartment	46011-681-50	
1	High Voltage Compartment	46011-680-51	3000/3500/ 4000 A
2	Low Voltage Compartment	46011-681-51	
1	High Voltage Compartment	46012-170-01	200 kV BIL, 1200 A
2	Low Voltage Compartment	46011-681-50	
3	Anti-pump Relays	46011-671-50 ■	48 VDC
		46011-671-51 ■	125 VDC
		46011-671-52 ■	250 VDC
		46011-671-53 ■	120 VAC
		46011-671-54 ■	240 VAC
Bearing Replacement Kit			
4	Brass Bearing Shims (12)	557956	All FVR circuit breakers manufactured from 1/1/94 through 12/31/10
5	Cotter Pin (1)	24201-08401	
6	Cotter Pin, 200 kV (1)	24201-06240	
7	Heat Deflector (1)	46011-980-01	
8	Retaining Clip (1)	21213312	
9	Trip Latch/Close Cam Bearings (2)	S1B15667	
10	Close Latch Bearing (1)	K14X18X13	All FVR circuit breakers manufactured from 1/1/94 through 12/31/06

■ Same as EVR part.



Item	Description	Replacement Kit / Part Number	Ratings
1	Bushings	46011-664-50 ■★	110/125 kV BIL, 1200 A
		46011-664-51 ▽	110/125 kV BIL, 2000 A
		46011-664-52	110 kV BIL, 3000 A
		46011-664-53	110 kV BIL, 40 kA, 3500/4000 A
		46011-664-54	150 kV BIL, 1200 A
		46011-664-55	150 kV BIL, 2000 A
		46012-191-50	200 kV BIL, 1200 A
2	Charging Motor and Gear Box Assembly	46011-659-50 ■	48 VDC
		46011-659-51 ■	125 VDC
		46011-659-52 ■	250 VDC
		46011-659-51 ■	120 VAC
		46011-659-52 ■	240 VAC
3	Closing Coils	46011-672-53 ■	48 VDC
		46011-672-51 ■	125 VDC
		46011-672-51 ■	250 VDC
		46011-672-53 ■	120 VAC
		46011-672-51 ■	240 VAC

- Same as EVR part.
- ★ Same as EOX part.



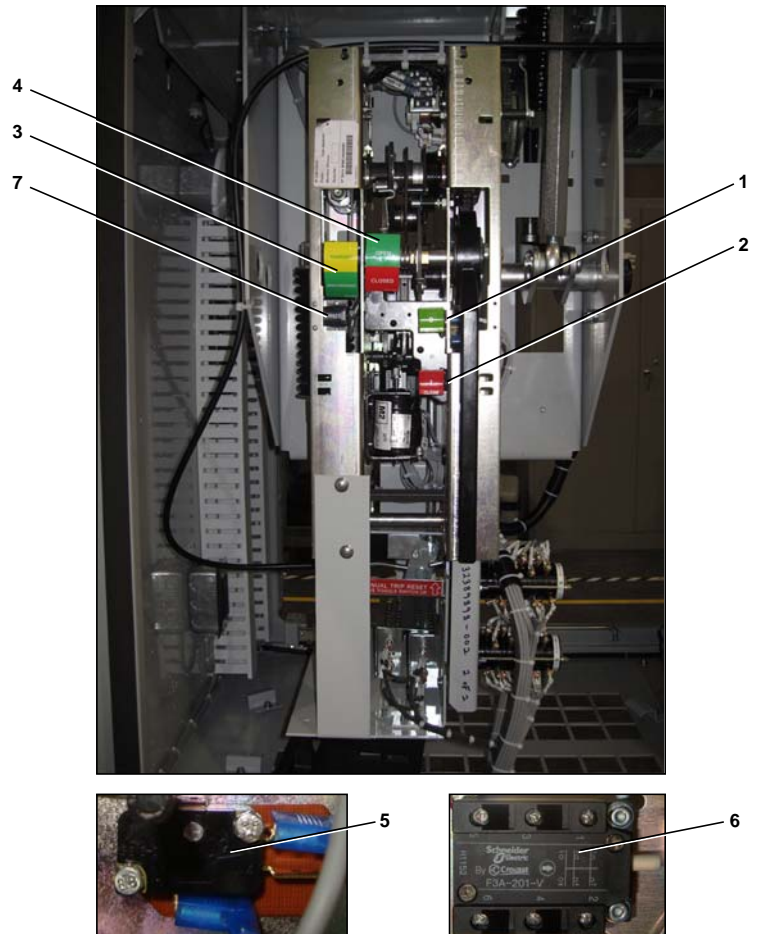
Item	Description	Replacement Kit / Part Number	Rated
	Cooling Fan		
1	Blower Fan Assembly	46011-947-50	4000 A, 40 kA
Not shown	Fan Motor Replacement Kit	46011-543-50	
Not shown	Airflow Switch Replacement Kit	46011-544-50 ◊	
2	Motor, 120 VAC	46011-172-01 ◊	
Not shown	Airflow Switch, Rotron	46011-285-01	
3	Current Sensor, 4000/5	365402	
4	Relay, Off-delay, 10 Sec.	8501XO20XTD1V02 ◊	
5	Relay, Current Sensing	RM4JA32MW	

◊ Same as FVBS-A part.



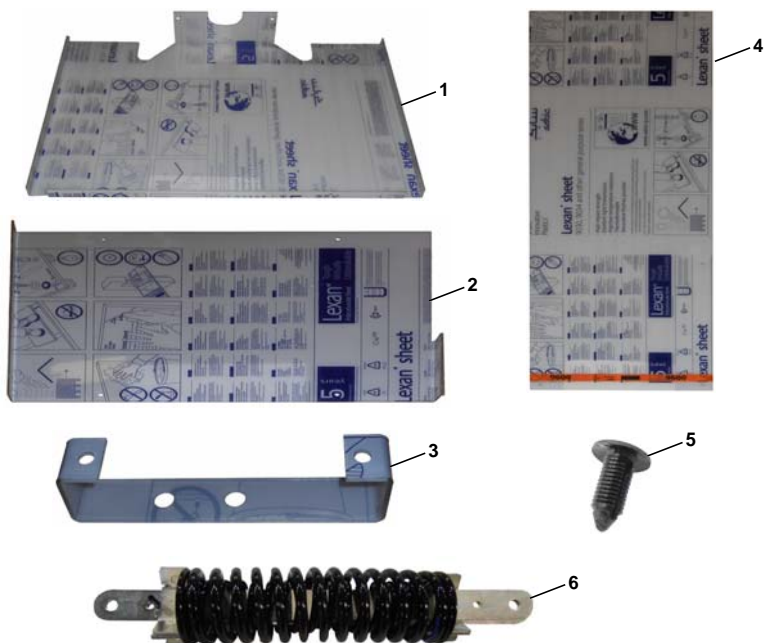
Item	Description	Replacement Kit / Part Number	Ratings
	Mechanism		
Not shown	RI Mechanism, Single Aux. Switch ◉	46011-669-50	All Ratings
	RI Mechanism, Double Aux. Switch ◉	46011-669-51	
	Auxiliary Switch	46011-676-50 ■	
	Bauman Clip (Closing Spring)	886917 ■	
1	Button, Open	732730	
2	Button, Closed	732731	
3	Label, Charged/Discharged	46011-768-01	
4	Label, Open / Closed	46011-769-01	
5	Latch Check Switch	46011-675-50 ■	
Not shown	Mechanism Cover	888459	
6	Motor Limit Switch	46011-677-50 ■	
7	Operations Counter	29060-21005	
Not shown	Operations Counter Assy., Close	46011-738-51	110–150 kV BIL, up to 31.5 kA
	Operations Counter Assy., Trip	46011-738-50	
	Shock Assembly, 8/1998 thru 8/2002	46011-449-50	
	Shock Assembly, after 8/2002	46011-450-50	
	Shock Assembly	46011-514-50	

- ◉ Basic mechanism does not include charging motor and coils.
- Same as EVR part.

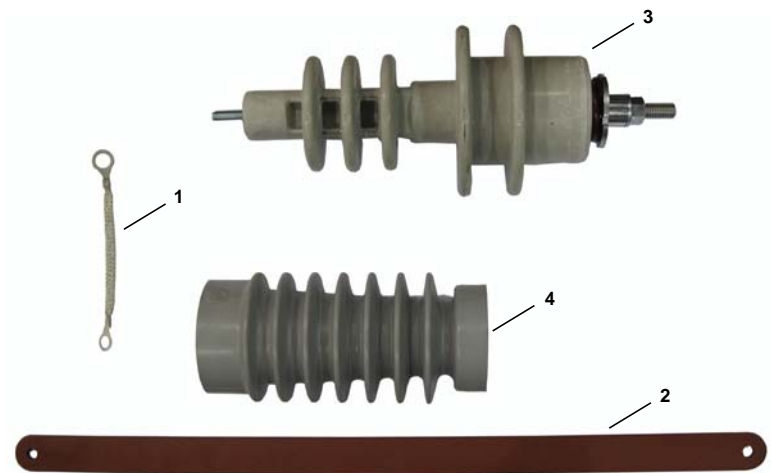


Item	Description	Replacement Kit / Part Number	Ratings
Phase Barrier Assemblies			
1	Phase Barriers (200 kV)	46012-168-01 ☉	200 kV BIL, 1200 A
		46012-171-01	
		46012-174-01	
		46012-175-01	
2	Phase Barriers 25 kA (46011-517-50)	46011-619-01 ☉	110–125 kV BIL, 25 kA, 1200/2000 A
		46011-613-01	
		46011-620-01	
		46011-615-01	
		46011-616-01	
		46011-621-01	
3	Phase Barriers (3500/4000 A)	46011-942-01	110 kV BIL, 40 kA,
		46011-943-01 ☉	
4	Phase Barriers 150 kV (46011-979-50)	46011-975-01	All 150 kV
		46011-974-01	
		46011-977-01 ☉	
		46011-976-01	
5	Push Pins for Barrier Assembly	24301-20150	N/A
Spring Assemblies			
6	Opening Spring Assembly	46011-732-50 ■	110–125 kV BIL, 25 kA, 1200/2000 A
		46011-732-51	110 kV BIL, 40 kA, 1200–4000 A
		46011-732-52	200 kV BIL, 25 kA, 1200 A
	Closing Spring Assembly	46040-545-52	110/125 kV BIL, 25 kA
		46011-744-52	110 kV BIL, 40 kA, 150/200 kV BIL

- ☉ This part number is shown below.
- Same as EVR part.

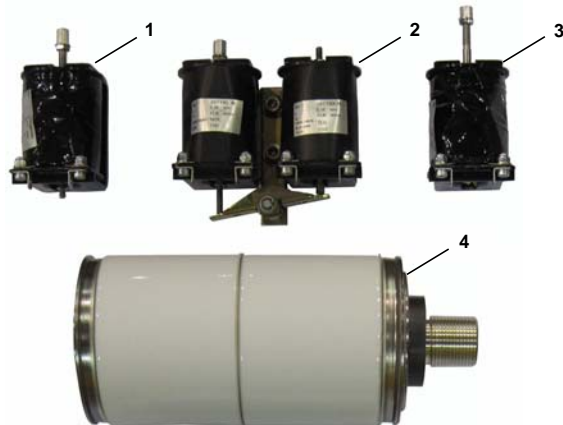


Item	Description	Replacement Kit / Part Number	Ratings
Pole Assembly Components			
1	Grounding Strap	46011-907-50	110/125 kV BIL
		46011-907-60	150kV BIL
2	Pole Unit Stiffener	46011-969-01	110 kV BIL, 25 kA, 1200/2000 A
		46011-970-01	125 kV BIL, 1200/2000 A
		46011-971-01	110 kV BIL, 40 kA, 1200–4000 A
		46011-972-01	150 kV BIL, 1200/2000 A
3	Pushrod Assembly	46011-888-50	110 kV BIL, 25 kA, 1200/2000 A
		46011-717-50	110 kV BIL, 40 kA, 1200–4000 A
		46011-731-50	All 125 kV
		46011-746-50	All 150 kV
4	Standoff Insulator, 110 kV (Epoxy)	46011-753-03	All 110 kV
	Standoff Insulator, 125 kV (Epoxy)	46011-753-04	All 125 kV
	Standoff Insulator, 150 kV (Epoxy)	46011-790-02	All 150 kV
	Standoff Insulator, 200 kV (Epoxy)	46012-006-01	All 200 kV
	Standoff Insulator, 200 kV	29903-01993	All 200 kV, Alternate, Do Not Mix



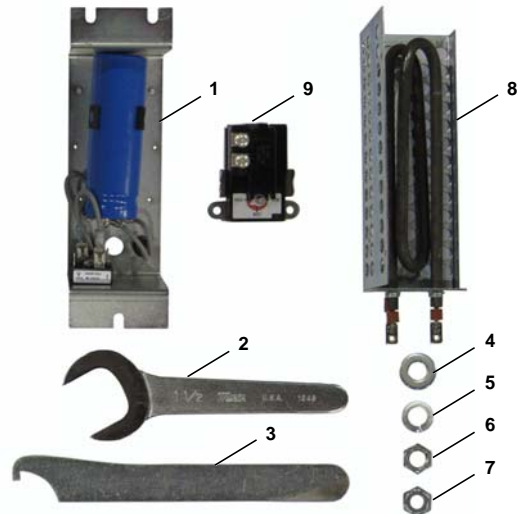
Item	Description	Replacement Kit / Part Number	Rated
Trip Coils			
1	Single Trip Coil	46011-673-50 ■	24 VDC
		46011-673-54 ■	48 VDC
		46011-673-52 ■	125 VDC
		46011-673-53 ■	250 VDC
		46011-673-54 ■	120 VAC
		46011-673-55 ■	240 VAC
2	Dual Trip Coil	46011-674-50	24 VDC
		46011-674-51	48 VDC
		46011-674-52	125 VDC
		46011-674-53	250 VDC
		46011-674-51	120 VAC
		46011-674-55	240 VAC
3	Undervoltage Trip Coil	46011-684-50 ■	24 VDC
		46011-684-51 ■	48 VDC
		46011-684-52 ■	125 VDC
		46011-684-53 ■	250 VDC
		46011-684-51 ■	120 VAC
		46011-684-55 ■	240 VAC
Vacuum Interrupters			
4	Vacuum Interrupter	46011-660-50	110 kV BIL, 25 kA, 1200/2000 A
		46011-331-50	110 kV BIL, 40 kA, 1200/2000 A
		46011-661-51	110 kV BIL, 40 kA, 3000–4000 A
		46011-662-50	125 kV BIL, 25 kA, 1200/2000 A
		46011-663-50	150 kV BIL, 31.5 kA, 1200/2000 A
Not shown	Pole Assembly (200 kV)	46011-666-50	200 kV BIL, 1200 A

■ Same as EVR part.



Item	Description	Replacement Kit / Part Number	Ratings
Miscellaneous			
1	Capacitor Trip Unit	46011-344-50 ♦	240 VAC Max / 339 VDC with Pilot Light
		46011-344-51 ♦	120 VAC Max / 170 VDC with Pilot Light
		46011-344-53 ♦	120 VAC Max / 170 VDC without Pilot Light
		46011-344-54 ♦	240 VAC Max / 339 VDC without Pilot Light
2	E-gap Adjustment Wrench	46011-949-01	110/125/150 kV BIL
3	E-gap Tool, 1-1/2 in., Open-end Wrench	5414A29	
E-gap Hardware (3 per circuit breaker)			
4	1/2 in. Flat Washer	23602-13307	
5	1/2 in. Lock Washer	23701-00280	
6	1/2 in. Nylock Nut (0.30 in. thick)	23201-20280	
7	1/2 in. Nylock Nut (0.58 in. thick)	23201-10280	
Not shown	Emergency Trip Assembly	46012-040-50	All Ratings
8	Heaters	46028-126-01,02,03 ★♦	500 w, 240 V - 125 w, 120 V, Single or Stacked
		46028-127-01,02 ★♦	1200 w, 240 V - 300 w, 120 V, Single or Stacked
Not shown	Push Pins for Barrier Assembly	24301-20150	N/A
9	Thermostat and Nameplate Assy.	44050-076-60 ★♦■	70–130° F, 30 A @ 120/240 VAC

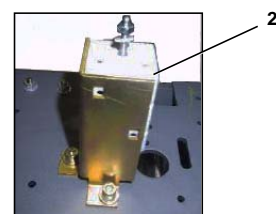
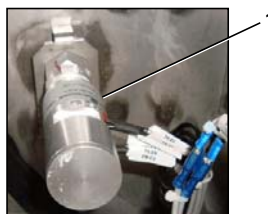
- ♦ Same as FVBS-A part.
- ★ Same as EOX part.
- ◆ Same as VOX part.
- Same as EVR part.



**Type VOX SF₆, 38 kV, 200 kV BIL,
 1200–2000 A**

Item	Description	Replacement Kit / Part Number	Rated		
1 on pg. 3	Spiral Spring Charging Motor	DRCN018581 ★	24 VDC		
		Not available ★	48 VDC		
		DRCN018582 ★	110–125 VDC		
		DRCN018583 ★	220 VDC		
		DRCN018582 ★	110–127 VAC		
2 on pg. 3	Trip Coil	M55022/11 ★	24 VDC		
		M55022/12 ★	48 VDC		
		M55022/14 ★	110 VDC		
		M55022/15 ★	125 VDC		
		M55022/16 ★	220 VDC		
		M55022/17 ★	110 VAC		
		M55022/18 ★	127 VAC		
3 on pg. 3	Closing Coil	M55022/19 ★	230 VAC		
		M55022/01 ★	24 VDC		
		M55022/02 ★	48 VDC		
		M55022/04 ★	110 VDC		
		M55022/05 ★	125 VDC		
		M55022/06 ★	220 VDC		
		M55022/07 ★	110 VAC		
	Closing Coil	M55022/08 ★	127 VAC		
		M55022/09 ★	230 VAC		
		Mechanism			
		Not shown	Mechanism M5S (Spring)	DRCN01794-03	Not Applicable
		2 on pg. 4	Spring Charging Handle	VOX7018 ★	
		Not shown	Open/Closed Indication Label	VOX9007	
			Charged/Discharged Indication Label	VOX9008	
Miscellaneous					
Not shown	Anti-pump Relay	M55026/905 ★	Not Applicable		
1 on pg. 4	Auxiliary Contact 4NO + 4NC	M15010/001 ★			
Not shown	HV Terminal Studs (NEMA 4)	DRCN01081-01			
1	Gas Density Switch	ST435-300-215			
Not shown	SF ₆ Filling Kit				
	SF ₆ Bottle, 5 kg	380567			
	Reducer	380568			
	Pressure Check	381408			
2	DILO Valve Adapter	TOP325			
	Undervoltage Coil	M55019/005 ★			
8 on pg. 29	Heaters	46028-126-01,02,03 ★▲	500 w, 240 V - 125 w, 120 V,		
		46028-127-01,02 ★▲	1200 w, 240 V - 300 w, 120		
9 on pg. 29	Thermostat and Nameplate Assy.	44050-076-60 ★▲■	70–130° F, 30 A @ 120/240 VAC		

- ★ Same as EOX part.
- ▲ Same as FVR part.
- Same as EVR part.



**Substation Circuit Breaker Replacement Parts
Data Bulletin**

Schneider Electric USA, Inc.
1415 S. Roselle Road
Palatine, IL 60067 USA
1-888-778-2733
www.schneider-electric.us

Electrical equipment should be installed, operated, serviced, and maintained only by qualified personnel. No responsibility is assumed by Schneider Electric for any consequences arising out of the use of this material.

All trademarks are owned by Schneider Electric Industries SAS or its affiliated companies.

6065DB1301 04/2013
© 2013 Schneider Electric All Rights Reserved