



Low Voltage Products

OTM20GB 06_11
1SCC303001K0201



New motorized change-over switches

Motorized change-over switches, I-0-II -operation, open transition

Including a handle for manual operation, bolt kit with nut and washers for all terminals and male connectors for control circuits. Types OTM160-250E_W are equipped with extended phase distance.



OTM160...250E3C_



OTM160...250E3WC_



OTM315...400E3C_



OTM160...250E4C_

Rated current AC-21A...AC-22A Up to 415 V I [A]	Rated power AC-21A 400 V S [kVA]	AC-23A 400...415 V I [A] / P [kW]	Type	Order number	Weight [kg]
--	---	---	------	--------------	----------------

3-pole

Motor operation, operational voltage $U_n = 230 \text{ V AC}^{1)}$

160	110	160 / 90	OTM160E3CM230C	1SCA022845R8610	6.6
160	110	160 / 90	OTM160E3WCM230C	1SCA022846R4000	6.9
200	135	200 / 110	OTM200E3CM230C	1SCA022845R8960	6.6
200	135	200 / 110	OTM200E3WCM230C	1SCA022846R3960	6.9
250	170	250 / 132	OTM250E3CM230C	1SCA022845R9260	6.6
250	170	250 / 132	OTM250E3WCM230C	1SCA022846R4770	6.9
315	215	315 / 160	OTM315E3CM230C	1SCA022847R1210	11.1
400	275	400 / 200	OTM400E3CM230C	1SCA022847R1630	11.1

4-pole

Motor operation, operational voltage $U_n = 230 \text{ V AC}^{1)}$

160	110	160 / 90	OTM160E4CM230C	1SCA022848R1510	7.5
160	110	160 / 90	OTM160E4WCM230C	1SCA022846R7440	7.9
200	135	200 / 110	OTM200E4CM230C	1SCA022846R1590	7.5
200	135	200 / 110	OTM200E4WCM230C	1SCA022846R7870	7.9
250	170	250 / 132	OTM250E4CM230C	1SCA022846R1910	7.5
250	170	250 / 132	OTM250E4WCM230C	1SCA022846R8250	7.9
315	215	315 / 160	OTM315E4CM230C	1SCA022847R2870	12.5
400	275	400 / 200	OTM400E4CM230C	1SCA022847R3250	12.5

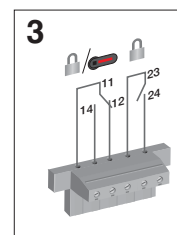
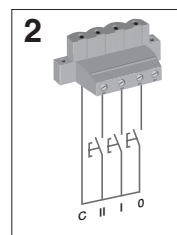
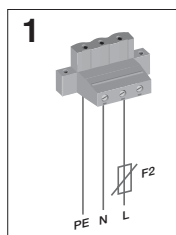
¹⁾ Other voltages on request

General technical data of motor operators

	Value
Rated operational voltage U_n	230 V AC, 110 V AC/DC, 48 V DC, 24 V DC
Operating voltage range	0.85...1.1 x U_n
Operating angle	90°: 0-I, 0-II; 180°: I-0-II
Protection degree	IP20
Operating temperature	-5...+40 °C

Control circuit connections

- Terminal for voltage supply of motor operator
- Terminal for remote control
- Terminal for handle and locking status



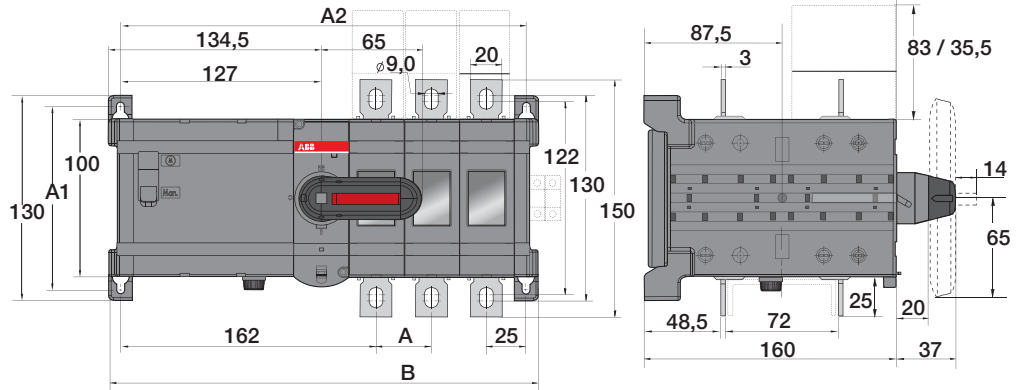


Dimension drawings

OTM160...250E3/4CM

M0011 / OTM160-250E3-4CM A

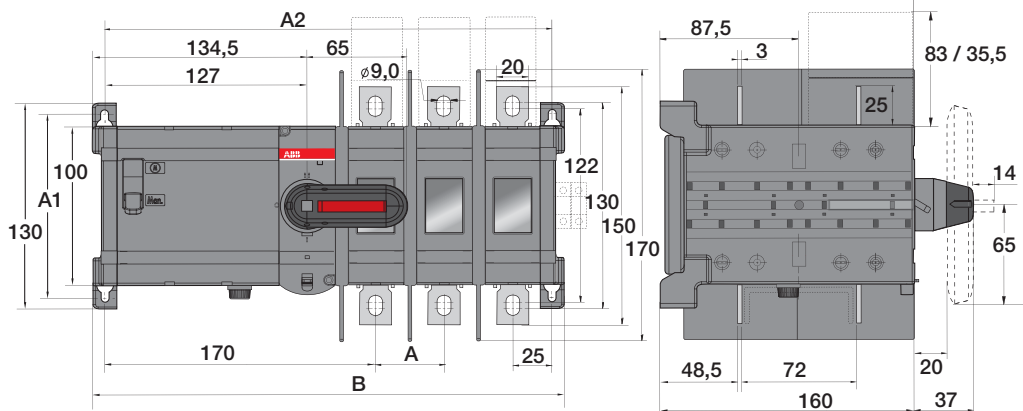
OTM 160...250E_CM		
	E3	E4
A	35	35
A1	116	116
A2	257	292
B	272	307



OTM160...250E3/4WCM

M00115 / OTM160-250E3-4WCM A

OTM160...250E_CM		
	E3	E4
A	43	43
A1	116	116
A2	281	324
B	296	339



OTM315...400E3/4CM

M00113 / OTM315-400E3-4CM A

OTM315...400E_CM		
	E3	E4
A	44	44
A1	142	142
A2	304,5	348,5
B	323	367

