

Low Voltage Products

Enclosed switches and fusegear
Enclosed switch-disconnectors, change-over switches
and switch fuses



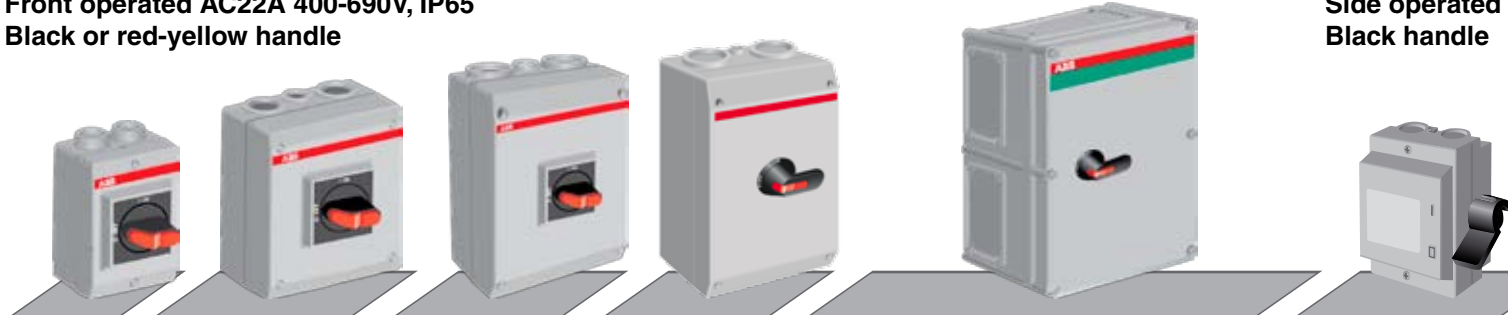
Enclosed switches 16...1600 Amperes

Plastic

Front operated AC22A 400-690V, IP65
Black or red-yellow handle

Plastic


Side operated
Black handle



OTP16		OTP16-32				OTP45-63			OTP125		OT160-800								BW	
Poles	A	Poles	A	A	A	Poles	A	A	Poles	A	Poles	A	A	A	A	A	A	A	Poles	A
2	-	2	-	-	-	2	-	-	2	-	2	-	-	-	-	-	-	-	2	25
3	16	3	16	25	40	3	63	80	3	125	3	160	200	250	315	400	570	720	3	25
4	-	4	16	25	40	4	63	80	4	125	4	160	200	250	315	400	570	720	4	25
6	-	6	16	25	40	6	45	63	6	125	6	-	-	-	-	-	-	-	6	-

Steel sheet

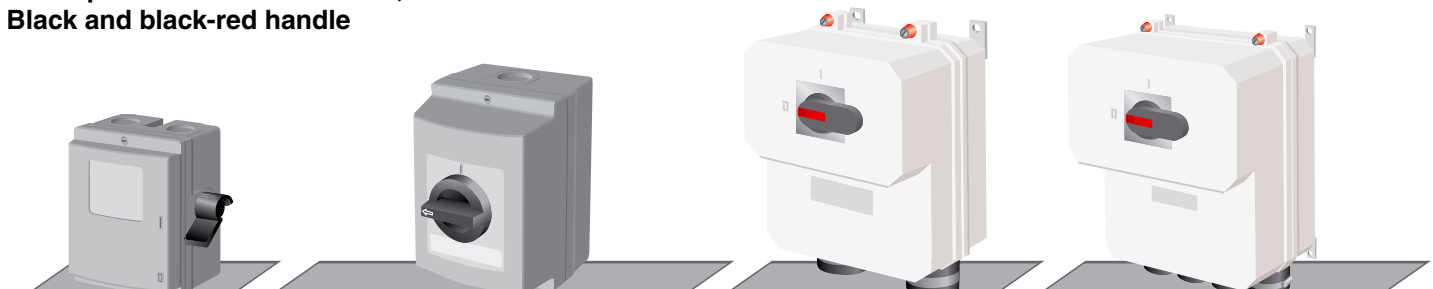
Front operated AC22A 400-690V, IP65
Black or red-yellow handle



OT 16-63						OT125		OT 125-1600														OTL 16-63					
Poles	A	A	A	A	A	Poles	A	Poles	A	A	A	A	A	A	A	A	A	A	A	A	A	Poles	A	A	A	A	A
3	16	25	32	45	63	3	125	3	125	160	200	250	315	400	570	720	1000	1250	1600	3	16	25	40	63	80		
4	16	25	32	45	63	4	125	4	125	160	200	250	315	400	570	720	1000	1250	1600	4	16	25	40	63	80		
6	16	25	32	45	63	6	-	6	125	160	200	250	315	400	570	720	800	-	-	6	16	25	40	63	80		

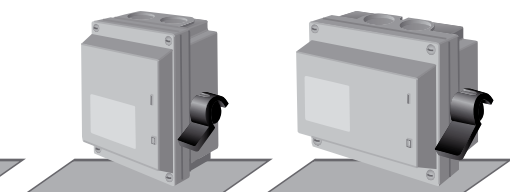
Aluminum

Side operated AC22A 400-690V, IP65
Black and black-red handle



KSE			KSE			KSEE		KSE			KSE			
Poles	A	A	Poles	A	A	Poles	A	Poles	A	A	Poles	A	A	A
2	25	40	2	-	-	2	-	2	-	-	2	-	-	-
3	25	40	3	63	80	3	100	3	160	250	3	315	500	630
4	25	40	4	63	80	4	100	4	-	-	4	-	-	-

AC22A 400-690V, IP65



BW		BW	
Poles	A	Poles	A
2	40	2	-
3	40	3	-
4	40	4	-
6	-	6	25



OTL 100-125		
Poles	A	A
3	100	125
4	100	125
6	-	-



Accessories

- Terminal clamps
- Cable glands and entries
- Auxiliary contacts



Enclosed switch-disconnectors, change-over switches and switch fuses

Contents:

General..... 4 - 7
 Technical data..... 8 - 9
 Ordering information..... 10 - 45

Switch-disconnectors, black handle..... 10 - 25
 Plastic enclosed switch-disconnectors, IP 45 and IP 65
 2-pole, side operated 10
 3-pole, side operated 11
 3-pole, front operated 12
 4-pole, side- and front operated 13
 6-pole, side- and front operated 14
 Steel sheet enclosed switch-disconnectors, IP65
 3-pole..... 15
 4-pole..... 16
 6-pole..... 17
 Steel sheet enclosed switch-disconnectors, IP54
 3-pole..... 18
 4-pole..... 19
 Steel sheet enclosed change-over switches, IP 54
 3-pole..... 20
 4-pole..... 20
 Stainless steel sheet enclosed switch-disconnectors
 3-, 4- and 6-pole 21
 Aluminum alloy enclosed switch-disconnectors 2-, 3- and 4-pole 22 - 24

Switch-disconnectors, red-yellow handle..... 25 - 32
 Plastic enclosed switch-disconnectors, IP 65
 3-pole..... 25
 4-pole..... 26
 6-pole..... 27
 2-pole, solar switches 28
 Steel sheet enclosed switch-disconnectors, IP 65
 3-pole..... 29
 4-pole..... 30
 6-pole..... 31
 Stainless steel sheet enclosed switch-disconnectors
 3-, 4- and 6-pole 32

Enclosed switch fuses, BS type
 Plastic enclosed switch fuses 33
 Steel sheet enclosed switch fuses..... 34

Enclosed switch fuses, DIN type
 Plastic enclosed switch fuses 35
 Steel sheet enclosed switch fuses..... 36

Accessories
 Accessories, selection overview 37
 Auxiliary contacts 38
 Cable entries 39
 Enclosure accessories 40 - 43

Dimension drawings 44 - 52

Index 53 - 57

Complete range for various applications

From 16 to 1600 A, 690 V



Resistance against UV-radiation (UL-F1)

Enclosed switches are designed and used as main switches for applications which need to be isolated from the network.

The range includes front operated and side operated switch disconnectors, switch fuses and change-over switches enclosed in plastic, steel sheet or stainless steel sheet and aluminum enclosures.

They are rated for utilization categories including disconnecting as well as making and breaking the load. In addition the switch fuses equipped with fuse links protects the application and the cables from overload currents and shortcircuits.

For various applications:



Aluminum enclosed side operated switch



Self extinguish polycarbonate plastic material

Enclosure types

Plastic

The plastic enclosures are most suitable for locations with high chemical and moisture requirements. In addition they are light and easy to install and handle.

Steel sheet

The steel sheet enclosures are hot dip galvanized and the surface is polyester powder painted. The enclosures are durable and robust for most environments.

Stainless steel sheet

The stainless steel sheet enclosures are made of AISI 304 stainless steel. They are used particularly in food and beverage industry and in locations where high hygienity is required. The smooth surface does not require any painting and is easy to clean.

Aluminum alloy

Aluminum enclosures have very good impact strength and protection against UV light. They are suitable both for indoor and outdoor use in medium to heavy-duty applications.

Safety for personnel

Reliable position indication



- Padlocking with one, three or six^{*)} padlocks against unintentional start-up.
The handle cannot be padlocked in the O-position if one of the contacts is not in the OFF-position.
- The cover cannot be removed if the handle is padlocked (on all front operated switches)
- Door interlock in the ON-position
Expander washers -
On all aluminum enclosures with $I_e > 160$ A
- Door interlock defeatable with rectangular and pistol type handles.

^{*)} with the shackle L6



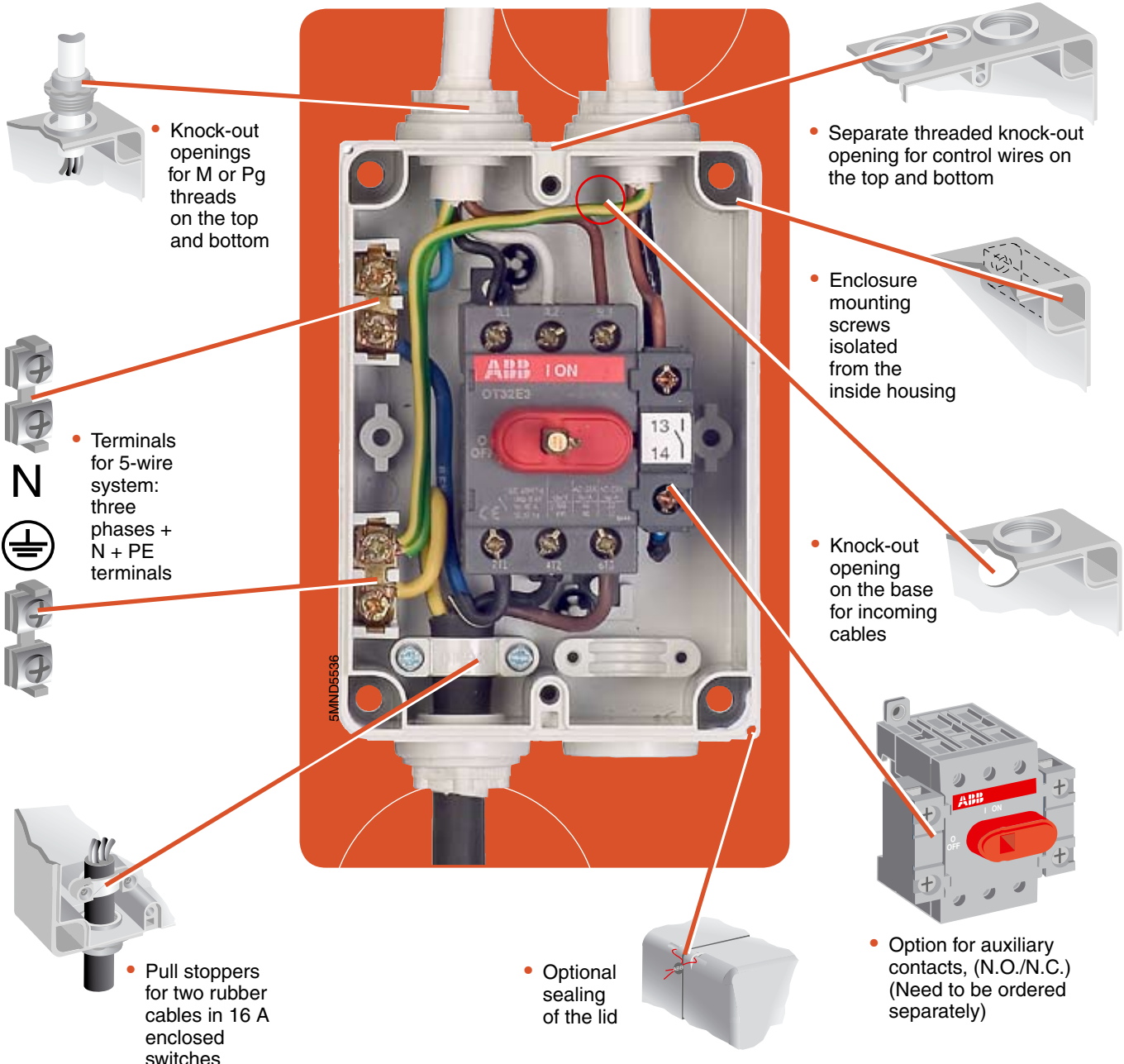
Plastic enclosed switch-disconnectors, front operated, type OTP

- Degree of protection: IP 65, IEC 60529
- Self extinguishing plastic: V-O, UL 94
- Resistance against UV-radiation: F 1, UL 746C
- Standard IEC 60947-3 for Switch-disconnectors
- European Standard EN60204 Safety of machinery
- Cable outlets M or Pg sized threaded knock-outs

- Also blank gland plates available
- 3-, 4- and 6-pole versions
- Black or red-yellow handle
- Handle indication I-0/ON-OFF
- Suitable for 4- and 5-wire systems

Easy to install

Easy to mount



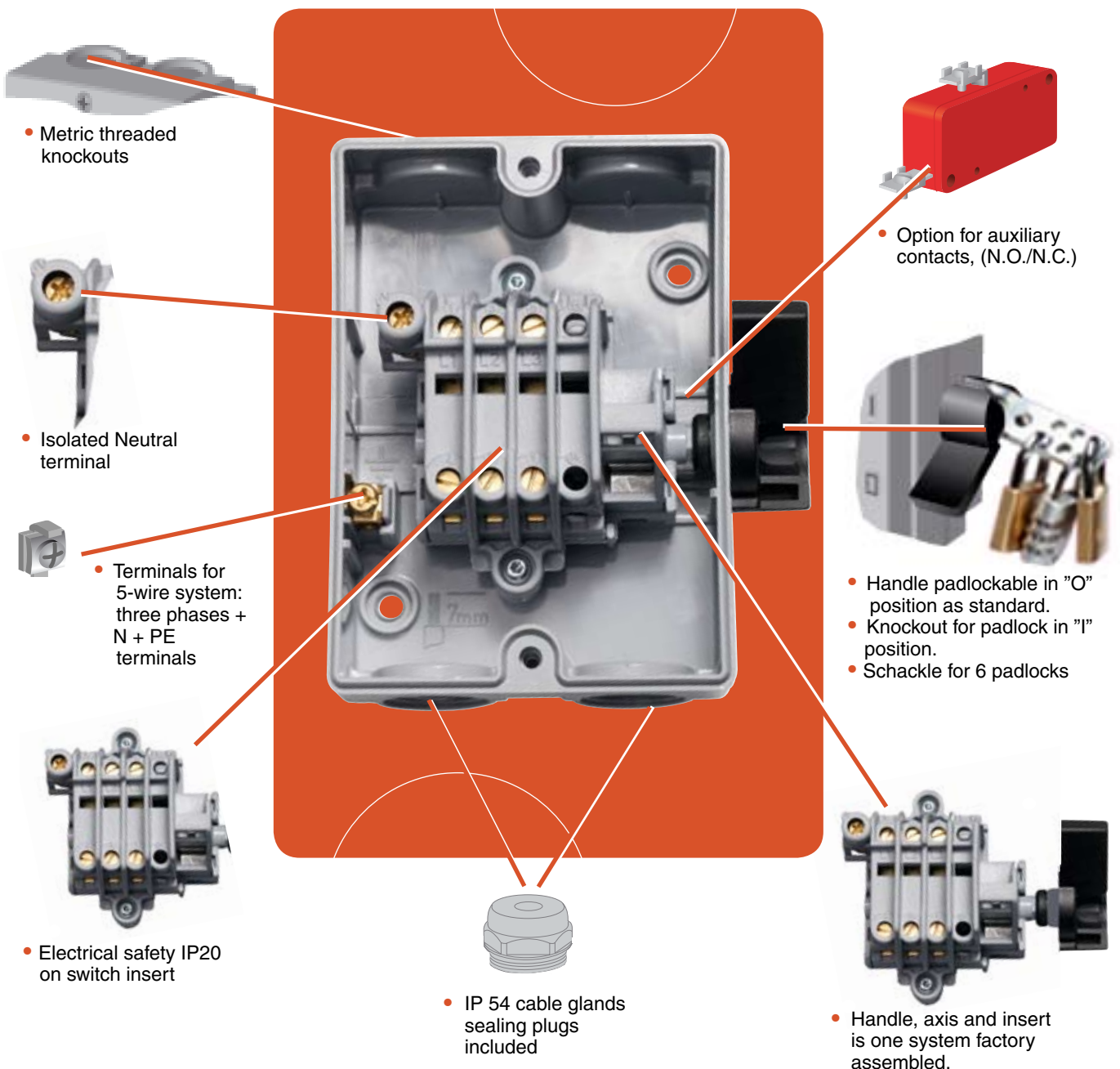
Plastic enclosed switch-disconnectors, side operated, type BW

- Degree of protection: IP 65, IEC 60529
- Enclosure in Thermoplastic polyester PBT
- Resistance against UV-radiation: F 1, UL 746C
- Standard IEC 60947-3 for Switch-disconnectors
- European Standard EN60204 Safety of machinery
- Cable outlets M sized threaded knock-outs

- 2-, 3-, 4- and 6-pole versions
- Grey/White enclosure have black handle
- Yellow enclosure have red handle
- Handle indication I-0/ON-OFF
- Suitable for 3-, 4- and 5-wire systems

Easy to install

Easy to mount



Enclosed switches

Technical data

Enclosed switch disconnecter size type			16 OT_16	25 OT_25	25 BW325 KSE325	32 OT_32	40 BW340 KSE340	45* OT_45 KSE363	63* OT_63 KSE380
Rated Insulation voltage		V	750	750	690	750	690	750	750
Rated thermal current and rated operational current AC20/DC20	40°C	A	25	32	25	40	40	63	80
	60°C	A	20	25		32		50	63
Rated operational current, AC-21A and AC-22A	400V	A	16	25	25	40	40	63	80
	up to 500 V	A	16	25	16	40	32	63	80
	690V	A	16	25	16	40	32	63	80
Rated operational current, AC-23A	up to 415V	A	16	20	16	23	25	45	75
	440V	A	16	20	16	23	25	45	65
	500V	A	16	20	16	23	25	45	58
	690V	A	10	11	10	12	16	20	20
Rated conditional short-circuit current r.m.s and corresponding cut-off current of the fuse in single-phase test according to IEC60269	25kA, 500V 50kA, 415V Fuse size: gG/aM	kA kA A	6.5 40/32	6.5 40/32	3.3 35T/-	6.5 40/32	4 50T/-	13 100/80	13 100/80
	50kA, 690V Fuse size: gG/aM		4 25/16	4 25/16		4 25/16		11 80/63	11 80/63
Cu-wire size suitable for terminal		mm ²	0.75-10	0.75-10	1.5-4	0.75-10**	2.5-10	1.5-25**	1.5-25**
Terminal bolt size									
Used switch type			OT16E_	OT25E_		OT32E_		OT45E_	OT63E_

Enclosed switch fuse size			20	32	32	63	125	160	200
Rated Insulation voltage		V	1000	1000	750	750	750	750	1000
Rated impulse withstand voltage	U _{imp}	kV	12	12	12	12	12	12	12
Rated thermal current in ambient	40°C	A	20	32	32	63	125	135	200
	60°C	A	16	25	25	50	100	108	160
Rated operational current, AC-22A	up to 500V	A	20	32	32	63	125	135	200
	690V	A	20	32	-	63 ¹⁾	125 ¹⁾	135 ¹⁾	200
Rated operational current, AC-23A	up to 500V	A	20	32	32	63	100	100	200
	690V	A	20	32	-	40 ¹⁾	50 ¹⁾	50 ¹⁾	200
Rated conditional short-circuit current r.m.s and corresponding max. allowed cut-off current, peak-values - The cut-off currents refer to single phase fuse tests.	80 kA, 415V	kA	9	9	10	12	23	23	35
	100kA, 500V	kA	7.5	7.5	6	9	17	17	37.5
	50kA, 690V	kA	6	6	-	8	14	14	21
Fuse types, IEC 269-2	DIN 43620		-	-	00	00	00	00	-
	BS 88		A1	A1	A2-A3	A2-A3	A2-A4	B1-B2	B1-B2
Max. fuse power dissipation		W	3	3.5	7.5	7.5	12	9	22
Used switch fuse size	DIN-type: BS-type:		- -20P_	- -32P_	-00 -32_ -32G_	-00 -63_ -63G_	-00_ -100G_	-00 -160_ -160B_	- -200B_
Cu-wire size suitable for terminal		mm ²	0.5...10	0.5...10	2.5...20	2.5...20	M8x25	M8x25	M8x25
Terminal bolt size									

*Lower ratings on plastic 6-pole versions. See ordering information.

**Please note the maximum diameter of the cable is limited by the cable outlets. See the extension adapters in ordering information of accessories.

¹⁾ Utilisation category B

Enclosed switches

Technical data

100 OT_100	125E OT_125	125A	160	200	250	315	400	630	800	1000	1250	1600
750	750	750	750	1000	1000	1000	1000	1000	1000	690	690	690
115 80	125 100	135 125	160 125	200 200	250 250	315 315	400 320	570 460	720 580	1000 900	1250 1000	1600 1250
100 100 100	125 125 125	125 125 125	160 160 160	200 200 200	250 250 250	315 315 315	400 400 400	570 570 570	720 720 720	1000 1000 1000	1250 1250 1250	1600 1600 1600
80 65 60 40	90 78 70 50	105 90 70 50	135 125 125 80	200 200 200 200	250 250 250 250	315 315 315 315	400 400 400 400	570 570 570 570	720 720 720 720	1000 1000 1000 1000	1250 1250 1250 1250	1250 1250 1250 1250
16.5 125/125	18 125/100	24 200/250	24 200/250	35 355/315	35 335/315	50.5 500/500	50.5 500/500	71.5 800/1000	71.5 800/1000	105	105	105
10 63/63	12 125/100	24 200/250	24 200/250	35 355/315	35 355/315	50.5 500/500	50.5 500/500	71.5 800/1000	71.5 800/1000	105	105	105
10-70	10-70	10-70	10-70	M8x25	M8x25	M10/30	M10/30	M12/40	M12/40	M12/60	M12/60	M12/60
OT100E_	OT125E_	OT125A_	OT160_	OT200_	OT250_	OT315_	OT400_	OT630_	OT800_	OT1000_	OT1250_	OT1600_

250	315	400	630	800
1000	1000	1000	1000	1000
12	12	12	12	12
250 200	315 250	400 320	600 480	720 570
250 250	315 315	400 400	600 600	720 720
250 250	315 315	400 400	600 600	720 720
40.5 37.5 28	44 41	59 63.5 39	75 75 60	75 75 60
0-1 -	- B1-B3	0-2 B1-B4	3 C1-C2	3 C1-C3
23	32	34	45	55
-250D_ -	- -315B_	-400D_ -400B_	-630D_ -630B_	-800D_ -800B_
M10x30	M10x30	M10x30	M12x40	M12x40

Enclosed switches

Ordering information

2CMA341012F0001



BW225M/DP

2CMA341012F0002



BW240M/DP

2CMA341012F0001



BE225M/DP

Plastic enclosed side operated switch-disconnectors, 2-pole, IP65

Rated operational current [A]		Cable outlets / size Up/down	Enclosure size [mm]			Type	Ordering number	Weight [kg]
AC-22A	230V 400V		W	H	D			
25	25	2xM20/2xM20	103	120	58	BW225M/DP	2CMA142004R1000	0.23
40	40	2xM25/2xM25	122	138	65	BW240M/DP	2CMA142020R1000	0.39

Metric threaded knock-outs. Membrane glands/sealing plugs (IP 54) are included¹⁾. Neutral terminal included. Grey enclosure (PBT), black handle.

Plastic enclosed side operated switch-disconnectors, 2-pole, IP54

Rated operational current [A]		Cable outlets / size Up/down	Enclosure size [mm]			Type	Ordering number	Weight [kg]
AC-22A	230V 400V		W	H	D			
25	25	2xM20/2xM20	103	120	58	BE225M/DP	2CMA142012R1000	0.23

Metric threaded knock-outs. Membrane glands/sealing plugs (IP 54) are included. Neutral terminal included. Grey enclosure (PBT), black handle.

¹⁾ When IP65 degree of protection is required compression glands must be used.

Enclosed switches

Ordering information

2CMA341012F0001



BW325M/TPN
BE325M/TPN

2CMA341012F0009



BW325MW/TPN

2CMA341012F0002



BW340M/TPN
BE340M/TPN



BE325YM/TPN

Plastic enclosed side operated switch-disconnectors, 3-pole, IP65

Rated operational current [A] AC-22A	Rated operational voltage [V]			Cable outlets / size Up/down	Enclosure size [mm]			Type	Ordering number	Weight [kg]
	400V	500V	690V		W	H	D			
25	16	16		2xM20/2xM20	103	120	58	BW325M/TPN	2CMA142077R1000	0.23
40	32	32		2xM25/2xM25	122	138	65	BW340M/TPN	2CMA142079R1000	0.39

Metric threaded knock-outs. Membrane glands/sealing plugs (IP 54) are included¹⁾. Neutral terminal included. Grey enclosure (PBT), black handle.

Plastic enclosed side operated switch-disconnectors, 3-pole, IP65

Rated operational current [A] AC-22A	Rated operational voltage [V]			Cable outlets / size Up/down	Enclosure size [mm]			Type	Ordering number	Weight [kg]
	400V	500V	690V		W	H	D			
25	16	16		2xM20/2xM20	103	120	58	BW325MW/TPN	2CMA142081R1000	0.23
25	16	16		2xM20/2xM20	103	120	58	BW325MW/TPN	2CMA142080R1000 ²⁾	0.23

Metric threaded knock-outs. Membrane glands/sealing plugs (IP 54) are included¹⁾. Neutral terminal included. White enclosure (PBT), black handle.

Plastic enclosed side operated switch-disconnectors, 3-pole, IP54

Rated operational current [A] AC-22A	Rated operational voltage [V]			Cable outlets / size Up/down	Enclosure size [mm]			Type	Ordering number	Weight [kg]
	400V	500V	690V		W	H	D			
25	16	16		2xM20/2xM20	103	120	58	BE325M/TPN	2CMA142048R1000	0.23
40	32	32		2xM25/2xM25	122	138	65	BE340M/TPN	2CMA142054R1000	0.39

Metric threaded knock-outs. Membrane glands/sealing plugs (IP 54) are included. Neutral terminal included. Grey enclosure (PBT), black handle.

Plastic enclosed side operated switch-disconnector, 3-pole, IP54

Rated operational current [A] AC-22A	Rated operational voltage [V]			Cable outlets / size Up/down	Enclosure size [mm]			Type	Ordering number	Weight [kg]
	400V	500V	690V		W	H	D			
25	16	16		2xM20/2xM20	103	120	58	BE325YM/TPN	2CMA142050R1000	0.23

Metric threaded knock-outs. Membrane glands/sealing plugs (IP 54) are included. Neutral terminal included. Yellow enclosure (PBT), red handle.

Plastic enclosed side operated switch-disconnector with indicator lamp, 3-pole, IP54

Rated operational current [A] AC-22A	Rated operational voltage [V] AC-23A 4000V	Cable outlets / size Up/down	Enclosure size [mm]			Type	Ordering number	Weight [kg]
			W	H	D			
25	16	2xM20/2xM20	103	120	58	BE325L/TPN	2CMA142146R1000	0.24

Switch-disconnected load break switch. Metric threaded knock-outs. Membrane glands/sealing plugs (IP 54) are included. Neutral terminal included. Grey enclosure (PBT), black handle.

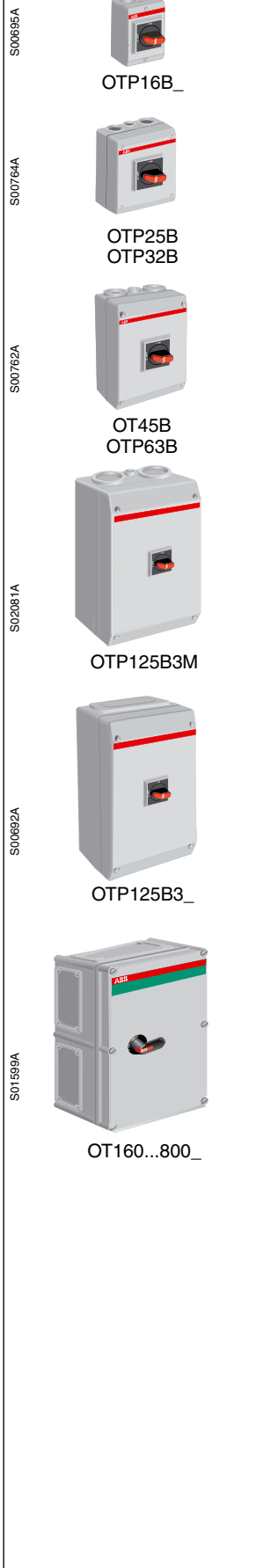
¹⁾ When IP65 degree of protection is required compression glands must be used.

²⁾ Only in 10-package

Enclosed switches

Ordering information

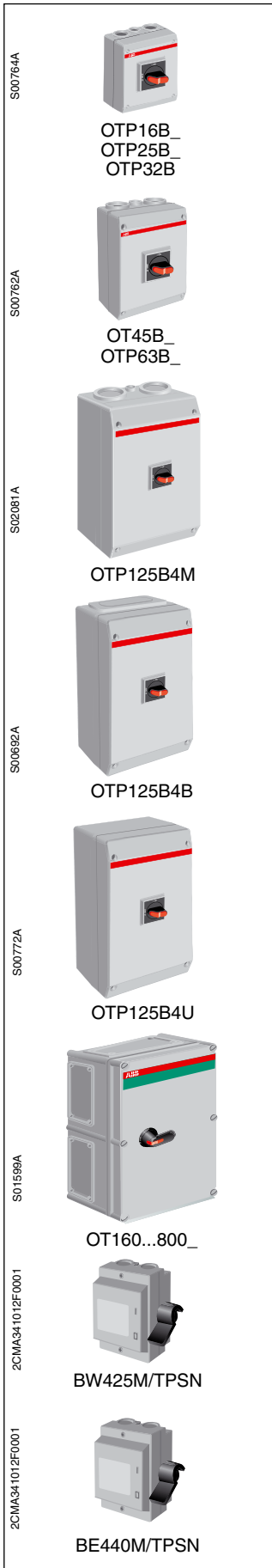
Plastic enclosed switch-disconnectors, 3-pole, IP65



Rated operational current [A]	Cable outlets / size			Enclosure size [mm]			Type	Ordering number	Weight [kg]
	AC-22A ≤500V	AC-23A ≤415V	AC-23A 500V	W	H	D			
Includes black round handle (1-0 and ON-OFF indication), N- and PE-terminals, two membrane cable glands and two pull stoppers.									
16	16	16	2xM20	85	120	60	OTP16HB3M	1SCA022401R2970	0.4
16	16	16	2xM25	85	120	60	OTP16HB3M25	1SCA022699R3690	0.4
16	16	16	2xPg16	85	120	60	OTP16HB3P	1SCA022389R6700	0.4
16	16	16	-	85	120	60	OTP16HB3U	1SCA022401R3010	0.4
Includes selector-type black handle (1-0 and ON-OFF indication), N- and PE-terminals, two membrane cable glands and two pull stoppers.									
16	16	16	2xM20	85	120	60	OTP16B3M	1SCA022383R2130	0.4
16	16	16	2xM25	85	120	60	OTP16B3M25	1SCA022699R2880	0.4
16	16	16	2xPg16	85	120	60	OTP16B3P	1SCA022383R0940	0.4
Includes selector-type black handle (1-0 and ON-OFF indication), N- and PE-terminals. Threaded knock-outs, compression glands have to be ordered separately.									
25	20	20	2xM25+M16	130	150	60	OTP25B3M	1SCA022383R2640	0.5
25	20	20	2xPg21+Pg11	130	150	60	OTP25B3P	1SCA022383R2560	0.5
40	23	23	2xM25+M16	130	150	60	OTP32B3M	1SCA022389R8400	0.5
40	23	23	2xPg21+Pg11	130	150	60	OTP32B3P	1SCA022389R7510	0.5
63	45	45	2xM32+M16	145	200	90	OTP45B3M	1SCA022383R3020	0.9
63	45	45	2xPg29+Pg11	145	200	90	OTP45B3P	1SCA022383R2990	0.9
80	75	58	2xM32+M16	145	200	90	OTP63B3M	1SCA022383R3450	0.9
80	75	58	2xPg29+Pg11	145	200	90	OTP63B3P	1SCA022383R3370	0.9
125	90	70	2xM50+M16	200	400	140	OTP125B3M	1SCA022812R7180	2.4
Knock-out flanges, flanges have to be ordered separately.									
125	90	70	I-flange	200	400	140	OTP125B3B	1SCA022383R3700	2.4
125	90	70	-	200	400	140	OTP125B3U	1SCA022401R3270	2.4
Includes pistol-type black handle (1-0 and ON-OFF indication), N- and PE-terminals. Knock-out flanges, flanges have to be ordered separately.									
160	135	125	II-flange	280	380	130	OT160EFCC3B	1SCA022278R7030	5.4
200	200	200	II-flange	280	560	180	OT200KFCC3B	1SCA022278R1510	9.0
250	250	250	II-flange	280	560	180	OT250KFCC3B	1SCA022278R2150	9.0
315	315	315	II-flange	380	560	180	OT315KFCC3B	1SCA022278R2740	9.0
400	400	400	II-flange	380	840	180	OT400DFCC3B	1SCA022278R3390	16.0
570	570	570	II-flange	380	840	180	OT630KFCC3B	1SCA022278R3980	20.0
720	720	720	2xII-flange	560	760	250	OT800KFCC3B	1SCA022303R0310	20.0

Enclosed switches

Ordering information



Plastic enclosed switch-disconnectors, 4-pole, IP65

Rated operational current [A]	Cable outlets / size			Enclosure size [mm]			Type	Ordering number	Weight [kg]
	AC-22A	AC-23A	AC-23A	W	H	D			
≤500V	≤415V	500V							
16	16	16	2xM25+M16	130	150	60	OTP16B4M	1SCA022401R4160	0.6
16	16	16	2xPg21+Pg11	130	150	60	OTP16B4P	1SCA022419R8620	0.6
25	20	20	2xM25+M16	130	150	60	OTP25B4M	1SCA022401R4320	0.6
25	20	20	2xPg21+Pg11	130	150	60	OTP25B4P	1SCA022401R4240	0.6
40	23	23	2xM25+M16	130	150	60	OTP32B4M	1SCA022401R4590	0.6
40	23	23	2xPg21+Pg11	130	150	60	OTP32B4P	1SCA022401R4410	0.6
63	45	45	2xM32+M16	145	200	90	OTP45B4M	1SCA022401R4750	1.0
63	45	45	2xPg29+Pg11	145	200	90	OTP45B4P	1SCA022401R4670	1.0
80	75	58	2xM32+M16	145	200	90	OTP63B4M	1SCA022401R4910	1.0
80	75	58	2xPg29+Pg11	145	200	90	OTP63B4P	1SCA022401R4830	1.0
125	90	70	2xM50+M16	200	400	140	OTP125B4M	1SCA022812R7260	2.5

Includes selector-type black handle (I-O and ON-OFF indication), N- and PE-terminals. Threaded knock-outs, compression glands have to be ordered separately.

Knock-out flanges, flanges have to be ordered separately.

125	90	70	I-flange	200	400	140	OTP125B4B	1SCA022401R5210	2.5
125	90	70	-	200	400	140	OTP125B4U	1SCA022401R5300	2.5

Includes pistol-type black handle (O-I and ON-OFF indication), N- and PE-terminals.

Knock-out flanges, flanges have to be ordered separately.

160	135	125	II-flange	280	380	130	OT160KFCC4B	1SCA022548R6620	5.4
200	200	200	II-flange	280	560	180	OT200KFCC4B	1SCA022530R4450	9.0
250	250	250	II-flange	280	560	180	OT250KFCC4B	1SCA022530R4530	9.0
315	315	315	II-flange	380	560	180	OT315KFCC4B	1SCA022548R6710	9.0
400	400	400	II-flange	380	840	180	OT400DFCC4B	1SCA022609R5480	16.0
570	570	570	II-flange	380	840	180	OT630KFCC4B	1SCA022584R5700	20.0
720	720	720	2xII-flange	560	760	250	OT800KFCC4B	1SCA022609R5560	20.0

Plastic enclosed side operated switch-disconnectors, 4-pole, IP65

Rated operational current [A]	Cable outlets / size			Enclosure size [mm]			Type	Ordering number	Weight [kg]
	AC-22A	400V	500V	690V	W	H			

Metric threaded knock-outs. Membrane glands/sealing plugs (IP 54) are included¹⁾. Neutral terminal included. Grey enclosure (PBT), black handle.

25	16	16	2xM20/2xM20	103	120	58	BW425M/TPSN	2CMA142085R1000	0.23
----	----	----	-------------	-----	-----	----	-------------	-----------------	------

Plastic enclosed side operated switch-disconnectors, 4-pole, IP54

Rated operational current [A]	Cable outlets / size			Enclosure size [mm]			Type	Ordering number	Weight [kg]
	AC-22A	400V	500V	690V	W	H			

Metric threaded knock-outs. Membrane glands/sealing plugs (IP 54) are included¹⁾. Neutral terminal included. Grey enclosure (PBT), black handle.

25	16	16	2xM20/2xM20	103	120	58	BE425M/TPSN	2CMA142083R1000	0.23
40	32	32	2xM25/2xM25	122	138	65	BE440M/TPSN	2CMA142164R1000	0.38

¹⁾ When IP65 degree of protection is required compression glands must be used.

Enclosed switches

Ordering information

Plastic enclosed switch-disconnectors, 6-pole, IP65

Rated operational current [A]	Cable outlets / size			Enclosure size [mm]			Type	Ordering number	Weight [kg]
	AC-22A ≤500V	AC-23A ≤415V	AC-23A 500V	W	H	D			

Includes selector-type black handle (I-0 and ON-OFF indication), N- and PE-terminals. Threaded knock-outs, compression glands have to be ordered separately.

16	16	16	2xM25+M16	130	150	85	OTP16B6M	1SCA022401R5560	0.7
16	16	16	2xPg21+Pg11	130	150	85	OTP16B6P	1SCA022401R5480	0.7
25	20	20	2xM25+M16	130	150	85	OTP25B6M	1SCA022401R5720	0.7
25	20	20	2xPg21+Pg11	130	150	85	OTP25B6P	1SCA022401R5640	0.7
40	23	23	2xM25+M16	130	150	85	OTP32B6M	1SCA022401R5990	0.7
40	23	23	2xPg21+Pg11	130	150	85	OTP32B6P	1SCA022401R5810	0.7

Includes pistol-type black handle (I-0 and ON-OFF indication), N- and PE-terminals. Threaded knock-outs, compression glands have to be ordered separately.

45	45	45	2xM32+M16	145	200	90	OTP45B6M	1SCA022401R6110	1.6
45	45	45	2xPg29+Pg11	145	200	90	OTP45B6P	1SCA022401R6020	1.6
63	45	45	2xM32+M16	145	200	90	OTP63B6M	1SCA022401R6370	1.6
63	45	45	2xPg29+Pg11	145	200	90	OTP63B6P	1SCA022401R6290	1.6
125	90	70	2xM50+M16	200	400	140	OTP125B6M	1SCA022812R7340	3.2

Knock-out flanges, flanges have to be ordered separately.

125	90	70	I-flange	200	400	140	OTP125B6B	1SCA022401R6610	3.2
125	90	70	-	200	400	140	OTP125B6U	1SCA022401R6700	3.2

Plastic enclosed side operated switch-disconnectors, 6-pole, IP65

Rated operational current [A]	Cable outlets / size			Enclosure size [mm]			Type	Ordering number	Weight [kg]
	AC-22A 400V	500V	690V	Up/down	W	H			

Metric threaded knock-outs. Membrane glands/sealing plugs (IP 54) are included¹⁾. Neutral terminal included. Grey enclosure (PBT), black handle.

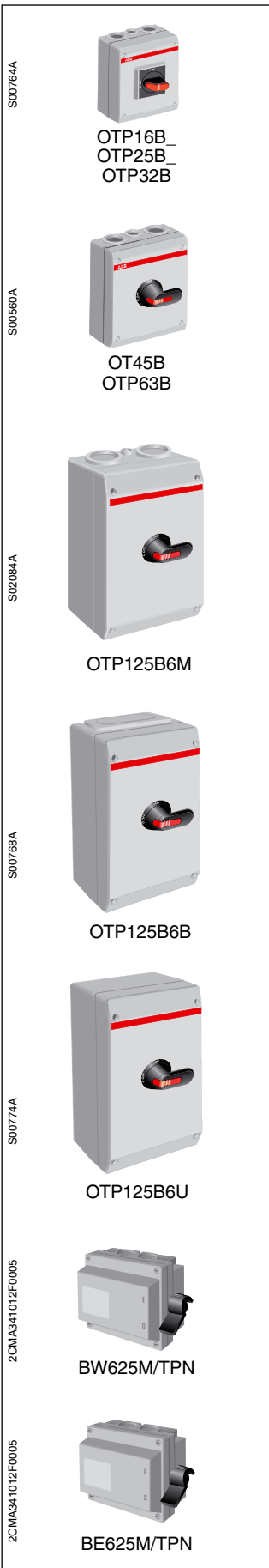
25	16	16	2xM20+1x Ø16.5 2xM20+1x Ø16.5	138	112	54.5	BW625M/TPN	2CMA142060R1000	0.36
----	----	----	----------------------------------	-----	-----	------	------------	-----------------	------

Plastic enclosed side operated switch-disconnectors, 6-pole, IP54

Rated operational current [A]	Cable outlets / size			Enclosure size [mm]			Type	Ordering number	Weight [kg]
	AC-22A 400V	500V	690V	Up/down	W	H			

Metric threaded knock-outs. Membrane glands/sealing plugs (IP 54) are included. Neutral terminal included. Grey enclosure (PBT), black handle.

25	16	16	2xM20+1x Ø16.5 2xM20+1x Ø16.5	138	112	54.5	BE625M/TPN	2CMA142052R1000	0.36
----	----	----	----------------------------------	-----	-----	------	------------	-----------------	------

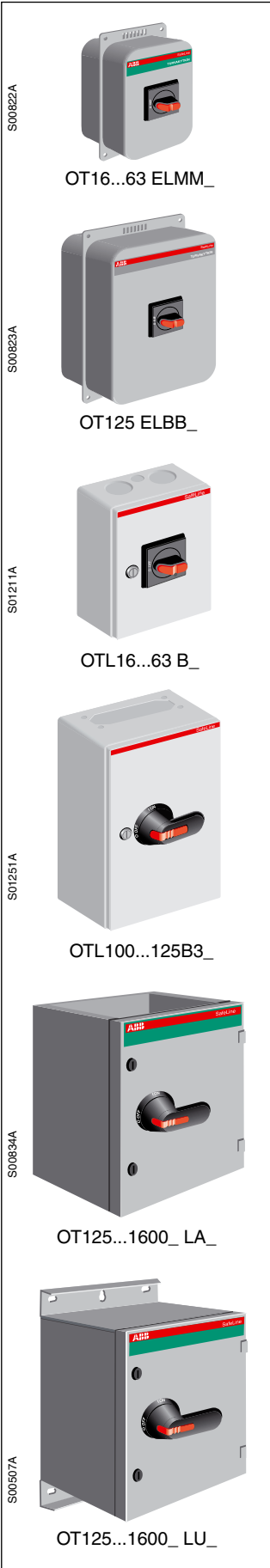


¹⁾ When IP65 degree of protection is required compression glands must be used.

Enclosed switches

Ordering information

Steel sheet enclosed switch-disconnectors, 3-pole, IP65



Rated operational current [A]	Cable outlets / size			Enclosure size [mm]			Type	Ordering number	Weight [kg]
	AC-22A ≤500V	AC-23A ≤415V	AC-23A 500V	W	H	D			
	16	16	16	2xø20+ø16	162	240			
25	20	20	2xø25+ø16	162	240	110	OT25ELMM3BZ	1SCA022461R9310	1.6
32	23	23	2xø25+ø16	162	240	110	OT32ELMM3BZ	1SCA022461R9580	1.6
45	30	30	2xø32+ø16	162	240	110	OT45ELMM3BZ	1SCA022461R9740	2.0
63	38	32	2xø32+ø16	162	240	110	OT63ELMM3BZ	1SCA022461R9910	2.0

Includes selector-type black handle (I-O and ON-OFF indication), N- and PE-terminals. Cable knock-outs as standard, compression glands have to be ordered separately.

125	90	70	B-flange	233	350	140	OT125ELBB3BZ	1SCA022462R0240	5.0
-----	----	----	----------	-----	-----	-----	--------------	-----------------	-----

Rated operational current [A]	Cable outlets / size			Enclosure size [mm]			Type	Ordering number	Weight [kg]
	AC-22A ≤500V	AC-23A ≤415V	AC-23A 500V	W	H	D			
	16	16	16	2xø25+ø16	150	200			
25	20	20	2xø25+ø16	150	200	100	OTL25B3M	1SCA022562R2400	1.7
40	23	23	2xø25+ø16	150	200	100	OTL32B3M	1SCA022562R3630	1.7
63	45	45	2xø32+ø16	150	200	100	OTL45B3M	1SCA022562R4790	1.9
80	75	58	2xø32+ø16	150	200	100	OTL63B3M	1SCA022562R5920	1.9

Includes selector-type black handle (I-O and ON-OFF indication), N- and PE-terminals. Cable knock-outs as standard, compression glands have to be ordered separately.

100	80	60	B-flange	200	300	150	OTL100B3B	1SCA022562R8350	3.4
100	80	60	-	200	300	150	OTL100B3U	1SCA022562R8430	3.4
125	90	70	B-flange	200	300	150	OTL125B3B	1SCA022562R9590	3.4
125	90	70	-	200	300	150	OTL125B3U	1SCA022562R9670	3.4

Includes pistol-type black handle (I-O and ON-OFF indication), N- and PE-terminals. Cable knock-outs as standard, flanges have to be ordered separately.

Delivery without cable entries, top and bottom sides are open. Cable entries for C-flanges or for ring-flanges have to be ordered separately, see accessories. These entries are used also for fixing the enclosed switches. Flanges have to be ordered separately too. Includes pistol-type black handle (I-O and ON-OFF indication), N- and PE-terminals.

Rated operational current [A]	Cable outlets / size			Enclosure size [mm]			Type	Ordering number	Weight [kg]
	AC-22A ≤500V	AC-23A ≤415V	AC-23A 500V	W	H	D			
	125	105	70	Open	250	400			
160	135	125	Open	250	400	180	OT160ELAA3BZ	1SCA022302R7100	10.0
200	200	200	Open	400	600	230	OT200KLAA3BZ	1SCA022302R7520	17.0
250	250	250	Open	400	600	230	OT250KLA3BZ	1SCA022302R7950	17.0
315	315	315	Open	400	600	230	OT315KLAA3BZ	1SCA022302R8330	17.0
400	400	400	Open	400	800	230	OT400DLAA3BZ	1SCA022302R8760	23.0
570	570	570	Open	400	1000	230	OT630KLA3BZ	1SCA022302R9140	30.0
720	720	720	Open	400	1000	230	OT800KLA3BZ	1SCA022302R9570	30.0
1000	1000	1000	Open	800	1200	230	OT1000KLA3BZ	1SCA022569R2870	73.0
1250	1250	1250	Open	800	1200	330	OT1250KLA3BZ	1SCA022569R4310	90.0
1600	1250	1250	Open	800	1200	330	OT1600KLA3BZ	1SCA022569R4570	92.0

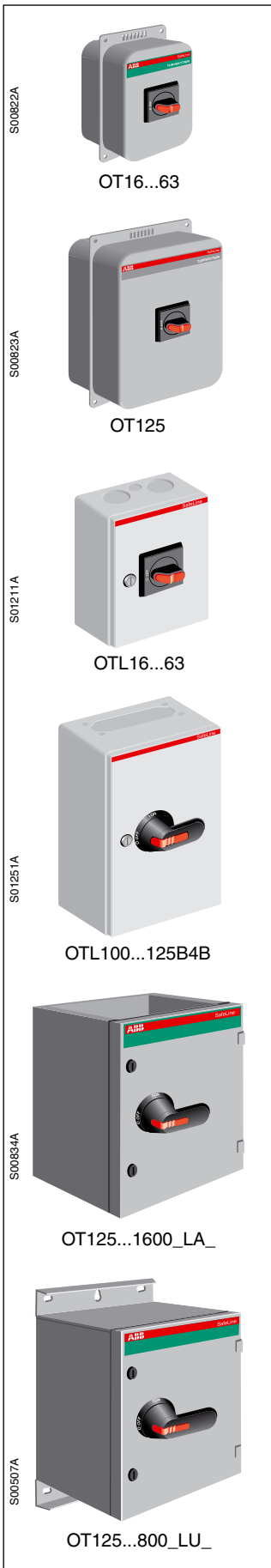
Delivery with blank cable entries. These entries are used also for fixing the enclosed switches. Includes pistol-type black handle (I-O and ON-OFF indication), N- and PE-terminals.

Rated operational current [A]	Cable outlets / size			Enclosure size [mm]			Type	Ordering number	Weight [kg]
	AC-22A ≤500V	AC-23A ≤415V	AC-23A 500V	W	H	D			
	125	90	70	-	250	400			
160	135	125	-	250	400	180	OT160ELUU3BZ	1SCA022479R5120	15.0
200	200	200	-	400	600	230	OT200KLUU3BZ	1SCA022602R0630	17.0
250	250	250	-	400	600	230	OT250KLUU3BZ	1SCA022602R0710	17.0
315	315	315	-	400	600	230	OT315KLUU3BZ	1SCA022572R6010	20.0
400	400	400	-	400	800	230	OT400DLUU3BZ	1SCA022602R0800	24.0
570	570	570	-	400	1000	230	OT630KLUU3BZ	1SCA022750R1510	33.0
720	720	720	-	400	1000	230	OT800KLUU3BZ	1SCA022750R1600	33.0
1000	1000	1000	-	800	1200	230	OT1000KLUU3BZ	1SCA022750R1780	75.0
1250	1250	1250	-	800	1200	330	OT1250KLUU3BZ	1SCA022750R1860	92.0
1600	1250	1250	-	800	1200	330	OT1600KLUU3BZ	1SCA022750R1940	94.0

Enclosed switches

Ordering information

Steel sheet enclosed switch-disconnectors, 4-pole, IP65



Rated operational current [A]			Cable outlets / size	Enclosure size [mm]			Type	Ordering number	Weight [kg]
AC-22A ≤500V	AC-23A ≤415V	AC-23A 500V		W	H	D			

Includes selector-type black handle (I-O and ON-OFF indication), N- and PE-terminals.
Cable knock-outs as standard, compression glands have to be ordered separately.

16	16	16	2xø20+ø16	162	240	110	OT16ELMM4BZ	1SCA022467R9050	1.6
25	20	20	2xø25+ø16	162	240	110	OT25ELMM4BZ	1SCA022467R9210	1.6
32	23	23	2xø25+ø16	162	240	110	OT32ELMM4BZ	1SCA022467R9480	1.6
45	30	30	2xø32+ø16	162	240	110	OT45ELMM4BZ	1SCA022467R9640	2.0
63	38	32	2xø32+ø16	162	240	110	OT63ELMM4BZ	1SCA022467R9810	2.0

Cable knock-outs as standard, flanges have to be ordered separately.

125	90	70	B-flange	233	350	140	OT125ELBB4BZ	1SCA022468R0140	5.0
-----	----	----	----------	-----	-----	-----	--------------	-----------------	-----

Rated operational current [A]			Cable outlets / size	Enclosure size [mm]			Type	Ordering number	Weight [kg]
AC-22A ≤500V	AC-23A ≤415V	AC-23A 500V		W	H	D			

Includes selector-type black handle (I-O and ON-OFF indication), N- and PE-terminals.
Cable knock-outs as standard, compression glands have to be ordered separately.

16	16	16	2xø25+ø16	150	200	100	OTL16B4M	1SCA022562R4120	1.7
25	20	20	2xø25+ø16	150	200	100	OTL25B4M	1SCA022562R2660	1.7
40	23	23	2xø25+ø16	150	200	100	OTL32B4M	1SCA022562R3800	1.7
63	45	45	2xø32+ø16	150	200	100	OTL45B4M	1SCA022562R4950	1.9
80	75	58	2xø32+ø16	150	200	100	OTL63B4M	1SCA022562R6140	1.9

Includes pistol-type black handle (I-O and ON-OFF indication), N- and PE-terminals.
Cable knock-outs as standard, flanges have to be ordered separately.

100	80	60	B-flange	200	300	150	OTL100B4B	1SCA022562R8510	3.4
100	80	60	-	200	300	150	OTL100B4U	1SCA022562R8600	3.4
125	90	70	B-flange	200	300	150	OTL125B4B	1SCA022562R9830	3.4
125	90	70	-	200	300	150	OTL125B4U	1SCA022562R9910	3.4

Delivery without cable entries, top and bottom sides are open. Cable entries for C-flanges or for ring-flanges have to be ordered separately, see accessories. These entries are used also for fixing the enclosed switches. Flanges have to be ordered separately too.
Includes pistol-type black handle (I-O and ON-OFF indication), N- and PE-terminals.

Rated operational current [A]			Cable outlets / size	Enclosure size [mm]			Type	Ordering number	Weight [kg]
AC-22A ≤500V	AC-23A ≤415V	AC-23A 500V		W	H	D			

125	90	70	Open	250	400	180	OT125ALAA4BZ	1SCA022342R4870	15.0
160	135	125	Open	250	400	180	OT160ELAA4BZ	1SCA022342R5090	15.0
200	200	200	Open	400	600	230	OT200KLAA4BZ	1SCA022342R5410	18.0
250	250	250	Open	400	600	230	OT250KLAA4BZ	1SCA022342R5840	18.0
315	315	315	Open	400	600	230	OT315KLAA4BZ	1SCA022342R6220	18.0
400	400	400	Open	400	800	230	OT400DLAA4BZ	1SCA022342R6650	24.0
570	570	570	Open	400	1000	230	OT630KLAA4BZ	1SCA022342R7030	31.0
720	720	720	Open	400	1000	230	OT800KLAA4BZ	1SCA022342R7460	31.0
1000	1000	1000	Open	800	1200	230	OT1000KLAA4BZ	1SCA022569R4220	75.0
1250	1250	1250	Open	800	1200	330	OT1250KLAA4BZ	1SCA022569R4490	92.0
1600	1250	1250	Open	800	1200	330	OT1600KLAA4BZ	1SCA022569R4650	95.0

Delivery with blank cable entries. These entries are used also for fixing the enclosed switches.
Includes pistol-type black handle (O-I and ON-OFF indication), N- and PE-terminals.

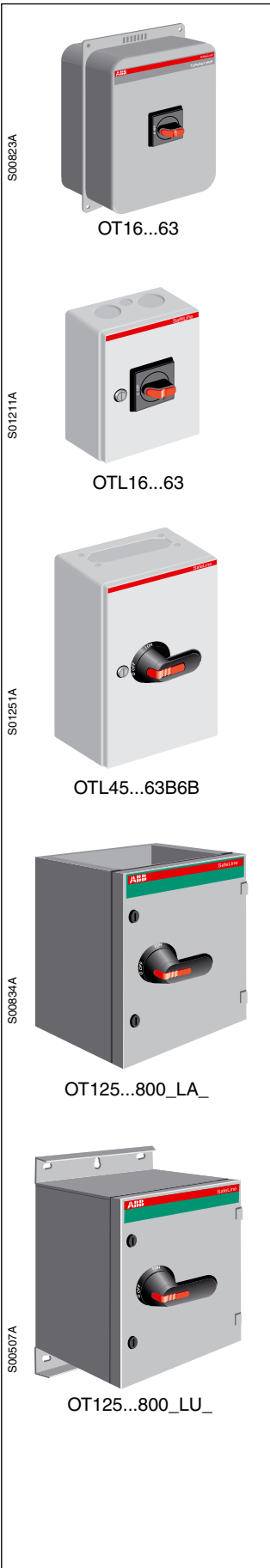
Rated operational current [A]			Cable outlets / size	Enclosure size [mm]			Type	Ordering number	Weight [kg]
AC-22A ≤500V	AC-23A ≤415V	AC-23A 500V		W	H	D			

125	90	70	-	250	400	180	OT125ALUU4BZ	1SCA022833R6770	12
160	135	125	-	250	400	180	OT160ELUU4BZ	1SCA022833R6850	15
200	200	200	-	400	600	230	OT200KLUU4BZ	1SCA022800R5740	17
250	250	250	-	400	600	230	OT250KLUU4BZ	1SCA022800R7360	17
315	315	315	-	400	600	230	OT315KLUU4BZ	1SCA022801R0070	20
400	400	400	-	400	800	230	OT400DLUU4BZ	1SCA022801R0660	24
570	570	570	-	400	1000	230	OT630KLUU4BZ	1SCA022830R4490	31
720	720	720	-	400	1000	230	OT800KLUU4BZ	1SCA022830R4570	31

Enclosed switches

Ordering information

Steel sheet enclosed switch-disconnectors, 6-pole, IP65



Rated operational current [A]			Cable outlets / size	Enclosure size [mm]			Type	Ordering number	Weight [kg]
AC-22A ≤500V	AC-23A ≤415V	AC-23A 500V		W	H	D			
16	16	16	2xø25+ø16	233	350	140	OT16ELMM6BZ	1SCA022589R9620	1.6
25	20	20	2xø25+ø16	233	350	140	OT25ELMM6BZ	1SCA022591R5330	1.6
32	23	23	2xø25+ø16	233	350	140	OT32ELMM6BZ	1SCA022589R8810	1.6
45	30	30	2xø32+ø16	233	350	140	OT45ELMM6BZ	1SCA022468R1380	2.0
63	38	32	2xø32+ø16	233	350	140	OT63ELMM6BZ	1SCA022468R1460	2.0

Includes selector-type black handle (I-0 and ON-OFF indication), N- and PE-terminals. Cable knock-outs as standard, compression glands have to be ordered separately.

Rated operational current [A]			Cable outlets / size	Enclosure size [mm]			Type	Ordering number	Weight [kg]
AC-22A ≤500V	AC-23A ≤415V	AC-23A 500V		W	H	D			
16	16	16	2xø25+ø16	150	200	100	OTL16B6M	1SCA022562R1690	1.8
25	20	20	2xø25+ø16	150	200	100	OTL25B6M	1SCA022562R2820	1.8
40	23	23	2xø25+ø16	150	200	100	OTL32B6M	1SCA022562R4010	1.8

Includes selector-type black handle (I-0 and ON-OFF indication), N- and PE-terminals. Cable knock-outs as standard, compression glands have to be ordered separately.

Rated operational current [A]			Cable outlets / size	Enclosure size [mm]			Type	Ordering number	Weight [kg]
AC-22A ≤500V	AC-23A ≤415V	AC-23A 500V		W	H	D			
63	45	45	B-flange	200	300	150	OTL45B6B	1SCA022610R4730	3.5
63	45	45	-	200	300	150	OTL45B6U	1SCA022610R4810	3.5
80	75	58	B-flange	200	300	150	OTL63B6B	1SCA022610R4900	3.5
80	75	58	-	200	300	150	OTL63B6U	1SCA022610R5030	3.5

Includes pistol-type black handle (I-0 and ON-OFF indication), N- and PE-terminals. Cable knock-outs as standard, flanges have to be ordered separately.

Delivery without cable entries, top and bottom sides are open. Cable entries for C-flanges or for ring-flanges have to be ordered separately, see accessories. These entries are used also for fixing the enclosed switches. Flanges have to be ordered separately too. Includes pistol-type black handle (I-0 and ON-OFF indication), N- and PE-terminals.

Rated operational current [A]			Cable outlets / size	Enclosure size [mm]			Type	Ordering number	Weight [kg]
AC-22A ≤500V	AC-23A ≤415V	AC-23A 500V		W	H	D			
125	90	70	Open	400	400	230	OT125ALAA6BZ	1SCA022689R5090	10
160	135	125	Open	400	400	230	OT160ELAA6BZ	1SCA022468R7400	10
200	200	200	Open	800	600	230	OT200KLAA6BZ	1SCA022717R9520	17
250	250	250	Open	800	800	230	OT250KLAA6BZ	1SCA022802R5770	34
315	315	315	Open	800	800	230	OT315KLAA6BZ	1SCA022804R1110	37
400	400	400	Open	800	800	230	OT400DLAA6BZ	1SCA022804R1200	37
570	570	570	Open	800	1000	230	OT630KLAA6BZ	1SCA022834R1420	46
720	720	720	Open	800	1000	230	OT800KLAA6BZ	1SCA022834R1340	46

Delivery with blank cable entries. These entries are used also for fixing the enclosed switches. Includes pistol-type black handle (I-0 and ON-OFF indication), N- and PE-terminals.

Rated operational current [A]			Cable outlets / size	Enclosure size [mm]			Type	Ordering number	Weight [kg]
AC-22A ≤500V	AC-23A ≤415V	AC-23A 500V		W	H	D			
125	90	70	-	400	400	230	OT125ALUU6BZ	1SCA022833R6930	15
160	135	125	-	400	400	230	OT160ELUU6BZ	1SCA022833R7070	15
200	200	200	-	800	600	230	OT200KLUU6BZ	1SCA022802R4610	35
250	250	250	-	800	800	230	OT250KLUU6BZ	1SCA022802R4530	40
315	315	315	-	800	800	230	OT315KLUU6BZ	1SCA022804R0900	43
400	400	400	-	800	800	230	OT400DLUU6BZ	1SCA022804R1030	43
570	570	570	-	800	1000	230	OT630KLUU6BZ	1SCA022834R1260	52
720	720	720	-	800	1000	230	OT800KLUU6BZ	1SCA022834R1690	52

Enclosed switches

Ordering information

Steel sheet enclosed switch-disconnectors, 3-pole, IP54

S00822A



OT16...63

S00823A



OT125

S00834A



OT125...1600

Rated operational current [A]	Cable outlets / size			Enclosure size [mm]			Type	Ordering number	Weight [kg]
	AC-22A	AC-23A	AC-23A	W	H	D			
	≤500V	≤415V	500V						

Includes selector-type black handle (I-0 and ON-OFF indication), N- and PE-terminals. Cable knock-outs as standard, compression glands have to be ordered separately.

16	16	16	2xø20+ø16	162	240	110	OT16ELMM3B	1SCA022461R7960	1.6
25	20	20	2xø25+ø16	162	240	110	OT25ELMM3B	1SCA022461R8180	1.6
32	23	23	2xø25+ø16	162	240	110	OT32ELMM3B	1SCA022461R8340	1.6
45	30	30	2xø32+ø16	162	240	110	OT45ELMM3B	1SCA022461R8510	2.0
63	38	32	2xø32+ø16	162	240	110	OT63ELMM3B	1SCA022461R8770	2.0

Cable knock-outs as standard, flanges have to be ordered separately.

125	90	70	B-flange	233	350	140	OT125ELBB3B	1SCA022461R9070	5.0
-----	----	----	----------	-----	-----	-----	-------------	-----------------	-----

Delivery without cable entries, top and bottom sides are open. Cable entries for C-flanges or for ring-flanges have to be ordered separately, see accessories. These entries are used also for fixing the enclosed switches. Flanges have to be ordered separately too.

Includes pistol-type black handle (I-0 and ON-OFF indication), N- and PE-terminals.

Rated operational current [A]	Cable outlets / size			Enclosure size [mm]			Type	Ordering number	Weight [kg]
	AC-22A	AC-23A	AC-23A	W	H	D			
	≤500V	≤415V	500V						

125	105	70	Open	250	400	180	OT125ALAA3B	1SCA022302R5910	10.0
160	135	125	Open	250	400	180	OT160ELAA3B	1SCA022280R3410	10.0
200	200	200	Open	400	600	230	OT200KLAA3B	1SCA022280R4060	17.0
250	250	250	Open	400	600	230	OT250KLAA3B	1SCA022280R4650	17.0
315	315	315	Open	400	600	230	OT315KLAA3B	1SCA022280R5200	17.0
400	400	400	Open	400	800	230	OT400DLAA3B	1SCA022279R9710	23.0
570	570	570	Open	400	1000	230	OT630KLAA3B	1SCA022280R0310	30.0
720	720	720	Open	400	1000	230	OT800KLAA3B	1SCA022280R0910	30.0
1000	1000	1000	Open	800	1200	230	OT1000KLAA3B	1SCA022370R3830	73.0
1250	1250	1250	Open	800	1200	230	OT1250KLAA3B	1SCA022350R0640	90.0
1600	1250	1250	Open	800	1200	230	OT1600KLAA3B	1SCA022437R8520	92.0

Enclosed switches

Ordering information

Steel sheet enclosed switch-disconnectors, 4-pole, IP54

S00622A



OT16...63

S00623A



OT125

S00834A



OT125...1600

Rated operational current [A]			Cable outlets / size	Enclosure size [mm]			Type	Ordering number	Weight [kg]
AC-22A ≤500V	AC-23A ≤415V	AC-23A 500V		W	H	D			

Includes selector-type black handle (I-0 and ON-OFF indication), N- and PE-terminals.
Cable knock-outs as standard, compression glands have to be ordered separately.

16	16	16	2xø20+ø16	162	240	110	OT16ELMM4B	1SCA022467R7940	1.6
25	20	20	2xø25+ø16	162	240	110	OT25ELMM4B	1SCA022467R8160	1.6
32	23	23	2xø25+ø16	162	240	110	OT32ELMM4B	1SCA022467R8320	1.6
45	30	30	2xø32+ø16	162	240	110	OT45ELMM4B	1SCA022467R8590	2.0
63	38	32	2xø32+ø16	162	240	110	OT63ELMM4B	1SCA022467R7430	2.0

Cable knock-outs as standard, flanges have to be ordered separately.

125	90	70	B-flange	233	350	140	OT125ELBB4B	1SCA022467R8910	5.0
-----	----	----	----------	-----	-----	-----	-------------	-----------------	-----

Delivery without cable entries, top and bottom sides are open. Cable entries for C-flanges or for ring-flanges have to be ordered separately, see accessories. These entries are used also for fixing the enclosed switches. Flanges have to be ordered separately too.
Includes pistol-type black handle (I-0 and ON-OFF indication), N- and PE-terminals.

Rated operational current [A]			Cable outlets / size	Enclosure size [mm]			Type	Ordering number	Weight [kg]
AC-22A ≤500V	AC-23A ≤415V	AC-23A 500V		W	H	D			

125	90	70	Open	250	400	180	OT125ALAA4B	1SCA022340R9560	10.0
160	135	125	Open	250	400	180	OT160ELAA4B	1SCA022340R9720	10.0
200	200	200	Open	400	600	230	OT200KLAA4B	1SCA022341R0140	17.0
250	250	250	Open	400	600	230	OT250KLAA4B	1SCA022341R0570	17.0
315	315	315	Open	400	600	230	OT315KLAA4B	1SCA022341R0900	17.0
400	400	400	Open	400	800	230	OT400DLAA4B	1SCA022341R1380	23.0
570	570	570	Open	400	1000	230	OT630KLAA4B	1SCA022341R1710	30.0
720	720	720	Open	400	1000	230	OT800KLAA4B	1SCA022337R4830	30.0
1000	1000	1000	Open	800	1200	230	OT1000KLAA4B	1SCA022437R9760	73.0
1250	1250	1250	Open	800	1200	330	OT1250KLAA4B	1SCA022437R9480	90.0
1600	1250	1250	Open	800	1200	330	OT1600KLAA4B	1SCA022437R9920	92.0

Enclosed switches Ordering information

S00824A



OT16...63

S00834A



OT125...800

S00834A



OT125...800

Steel sheet enclosed change-over switches, 3-pole, IP54*

Rated operational current [A]			Cable outlets / size	Enclosure size [mm]			Type	Ordering number	Weight [kg]
AC-22A ≤500V	AC-23A ≤415V	AC-23A 500V		W	H	D			
16	16	16	2xø25+ø16	233	350	140	OT16ELMM3C	1SCA022473R1070	1.9
16	16	16	2xø28,3+ø18,6	233	350	140	OT16ELPP3C	1SCA022473R1310	1.9
25	20	20	2xø25+ø16	233	350	140	OT25ELMM3C	1SCA022473R1580	1.9
25	20	20	2xø28,3+ø18,6	233	350	140	OT25ELPP3C	1SCA022473R1740	1.9
32	23	23	2xø25+ø16	233	350	140	OT32ELMM3C	1SCA022473R1910	1.9
32	23	23	2xø28,3+ø18,6	233	350	140	OT32ELPP3C	1SCA022473R2120	1.9
45	30	30	2xø32+ø16	233	350	140	OT45ELMM3C	1SCA022473R2390	4.0
45	30	30	2xø37+ø18,6	233	350	140	OT45ELPP3C	1SCA022473R2550	4.0
63	38	32	2xø32+ø16	233	350	140	OT63ELMM3C	1SCA022473R2710	4.0
63	38	32	2xø37+ø18,6	233	350	140	OT63ELPP3C	1SCA022473R2980	4.0

Includes pistol type black handle (I-O-II indication), N- and PE-terminals.

Cable knock-outs as standard, compression glands and connection bars for parallel connection have to be ordered separately.

Delivery without cable entries, top and bottom sides are open. Cable entries for C-flanges or for ring-flanges have to be ordered separately, see accessories. These entries are used also for fixing the enclosed switches. Flanges and connection bars for parallel connection have to be ordered separately too. Includes pistol type black handle (I-O-II indication), N- and PE-terminals.

Rated operational current [A]			Cable outlets / size	Enclosure size [mm]			Type	Ordering number	Weight [kg]
AC-22A ≤500V	AC-23A ≤415V	AC-23A 500V		W	H	D			
160	135	125	Open	400	400	230	OT160ELAA3C	1SCA022280R2100	11.0
200	200	200	Open	400	600	230	OT200KLAA3C	1SCA022280R2360	31.0
250	250	250	Open	400	600	230	OT250KLAA3C	1SCA022280R2520	36.0
315	315	315	Open	400	800	230	OT315KLAA3C	1SCA022280R2790	36.0
400	400	400	Open	400	800	230	OT400DLAA3C	1SCA022280R2950	39.0
570	570	570	Open	800	1000	330	OT630KLAA3C	1SCA022280R3170	48.0
720	720	720	Open	800	1000	330	OT800KLAA3C	1SCA022389R8310	48.0

Steel sheet enclosed change-over switches, 4-pole, IP54*

Delivery without cable entries, top and bottom sides are open. Cable entries for C-flanges or for ring-flanges have to be ordered separately, see accessories. These entries are used also for fixing the enclosed switches. Flanges and connection bars for parallel connection have to be ordered separately too. Includes pistol type black handle (I-O-II indication), N- and PE-terminals.

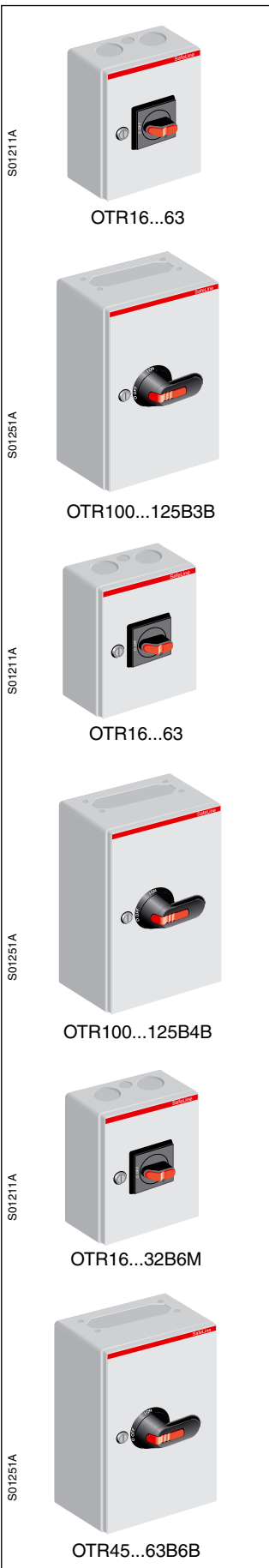
Rated operational current [A]			Cable outlets / size	Enclosure size [mm]			Type	Ordering number	Weight [kg]
AC-22A ≤500V	AC-23A ≤415V	AC-23A 500V		W	H	D			
160	135	125	Open	400	400	230	OT160ELAA4C	1SCA022474R9100	11.0
200	200	200	Open	800	600	230	OT200KLAA4C	1SCA022474R6930	31.0
250	250	250	Open	800	800	230	OT250KLAA4C	1SCA022474R7070	36.0
315	315	315	Open	800	800	230	OT315KLAA4C	1SCA022474R7150	36.0
400	400	400	Open	800	800	230	OT400DLAA4C	1SCA022292R6680	39.0
570	570	570	Open	800	1000	230	OT630KLAA4C	1SCA022475R1180	48.0
720	720	720	Open	800	1000	230	OT800KLAA4C	1SCA022580R4340	48.0

* IP65 available on request

Enclosed switches

Ordering information

Stainless steel sheet enclosed switch-disconnectors, 3-pole, IP65



Rated operational current [A]	Cable outlets / size			Enclosure size [mm]			Type	Ordering number	Weight [kg]
	AC-22A	AC-23A	AC-23A	W	H	D			
	≤500V	≤415V	500V						

Includes selector-type black handle (I-0 and ON-OFF indication), N- and PE-terminals.
Cable knock-outs as standard, compression glands have to be ordered separately.

16	16	16	2xø25+ø16	150	200	100	OTR16B3M	1SCA022567R9420	1.7
25	20	20	2xø25+ø16	150	200	100	OTR25B3M	1SCA022567R9690	1.7
40	23	23	2xø25+ø16	150	200	100	OTR32B3M	1SCA022567R9850	1.7
63	45	45	2xø32+ø16	150	200	100	OTR45B3M	1SCA022567R0010	1.9
80	75	58	2xø32+ø16	150	200	100	OTR63B3M	1SCA022567R0270	1.9

Includes pistol-type black handle (I-0 and ON-OFF indication), N- and PE-terminals.
Cable knock-outs as standard, flanges have to be ordered separately.

100	80	60	B-flange	200	300	135	OTR100B3B	1SCA022568R0510	3.4
100	80	60	-	200	300	135	OTR100B3U	1SCA022568R0600	3.4
125	90	70	B-flange	200	300	135	OTR125B3B	1SCA022568R0780	3.4
125	90	70	-	200	300	135	OTR125B3U	1SCA022568R0860	3.4

Stainless steel sheet enclosed switch-disconnectors, 4-pole, IP65

Rated operational current [A]	Cable outlets / size			Enclosure size [mm]			Type	Ordering number	Weight [kg]
	AC-22A	AC-23A	AC-23A	W	H	D			
	≤500V	≤415V	500V						

Includes selector-type black handle (I-0 and ON-OFF indication), N- and PE-terminals.
Cable knock-outs as standard, compression glands have to be ordered separately.

16	16	16	2xø25+ø16	150	200	100	OTR16B4M	1SCA022568R1080	1.7
25	20	20	2xø25+ø16	150	200	100	OTR25B4M	1SCA022568R1240	1.7
40	23	23	2xø25+ø16	150	200	100	OTR32B4M	1SCA022568R1410	1.7
63	45	45	2xø32+ø16	150	200	100	OTR45B4M	1SCA022568R1670	1.9
80	75	58	2xø32+ø16	150	200	100	OTR63B4M	1SCA022568R1830	1.9

Includes pistol-type black handle (I-0 and ON-OFF indication), N- and PE-terminals.
Cable knock-outs as standard, flanges have to be ordered separately.

100	80	60	B-flange	200	300	135	OTR100B4B	1SCA022568R2130	3.4
100	80	60	-	200	300	135	OTR100B4U	1SCA022568R2210	3.4
125	90	70	B-flange	200	300	135	OTR125B4B	1SCA022568R2300	3.4
125	90	70	-	200	300	135	OTR125B4U	1SCA022568R2480	3.4

Stainless steel sheet enclosed switch-disconnectors, 6-pole, IP65

Rated operational current [A]	Cable outlets / size			Enclosure size [mm]			Type	Ordering number	Weight [kg]
	AC-22A	AC-23A	AC-23A	W	H	D			
	≤500V	≤415V	500V						

Includes selector-type black handle (I-0 and ON-OFF indication), N- and PE-terminals.
Cable knock-outs as standard, compression glands have to be ordered separately.

16	16	16	2xø25+ø16	150	200	100	OTR16B6M	1SCA022575R2440	1.8
25	20	20	2xø25+ø16	150	200	100	OTR25B6M	1SCA022575R2870	1.8
40	23	23	2xø25+ø16	150	200	100	OTR32B6M	1SCA022575R3250	1.8

Includes pistol-type black handle (I-0 and ON-OFF indication), N- and PE-terminals.
Cable knock-outs as standard, flanges have to be ordered separately.

63	45	45	B-flange	200	300	135	OTR45B6B	1SCA022611R6660	3.5
63	45	45	-	200	300	135	OTR45B6U	1SCA022611R6820	3.5
80	75	58	B-flange	200	300	135	OTR63B6B	1SCA022611R7120	3.5
80	75	58	-	200	300	135	OTR63B6U	1SCA022611R7210	3.5

Enclosed switches

Ordering information



KSE225 , 240
KSE325, 340
KSE425, 440

Aluminum enclosed switch-disconnectors, 2-pole, side operated

Cable entries from top and bottom

AC 22A		AC 22A		Cable outlets Up/Down	Type	Order number	Terminal mm ²	Weight [kg]
230 V I _e [A]	500 V I _e [A]							
Includes black handle (PBT) (O-I indication), N- and PE-terminals and membrane glands. When IP 65 degree of protection is required compression glands must be used. 25								
25	25			2xM25/2xM25	KSE225M/TPN	2CMA144702R1000	4	0.55
40	40			2xM25/2xM25	KSE240M/TPN	2CMA144703R1000	10	0.60

Alumin enclosed switch-disconnectors, 3-pole, side operated

Cable entries from top and bottom

AC 22A			Cable outlets Up/Down	Type	Order number	Terminals mm ²	Weight [kg]	
230 V I _e [A]	500 V I _e [A]	690 V I _e [A]						
Includes black handle (O-I indication), N- and PE-terminals and membrane glands. When IP 65 degree of protection is required compression glands must be used.								
25	25	16	2xM25/2xM25+1xM16	KSE325M/TPN	2CMA144700R1000	4	0.55	
40	32	32	2xM25/2xM25+1xM16	KSE340M/TPN	2CMA144701R1000	10	0.60	
40	-	-	Top closed/2xM25+1xM16	KSE340M/TPN D	2CMA144736R1000	10	0.63	

Alumin enclosed switch-disconnectors, 4-pole, side operated

Cable entries from top and bottom

AC 22A			Cable outlets Up/Down	Type	Order number	Terminals mm ²	Weight [kg]	
230 V I _e [A]	500 V I _e [A]	690 V I _e [A]						
Includes black handle (O-I indication), N- and PE-terminals and membrane glands. When IP 65 degree of protection is required compression glands must be used.								
25	25	16	2xM25/2xM25+M16	KSE425M/TPSN	2CMA144706R1000	4	0.58	
40	32	32	2xM25/2xM25+M16	KSE440M/TPSN	2CMA144735R1000	10	0.60	

Enclosed switches

Ordering information



KSE263
KSE363, 380
KSE3100

Aluminum enclosed switch-disconnectors, 2-pole, front operated

Cable entries from top and bottom

AC 22A		Cable outlets Up/Down	Type	Order number	Terminals mm ² [kg]	Weight
230 V I _e [A]	500 V I _e [A]					
63	63	Top closed/2xM32+M16	KSE263M/TPND	2CMA144579R1000	16	1.25

Black handle (O-I indication), N- and PE-terminals and membrane glands.
When IP 65 degree of protection is required compression glands must be used.

Aluminum enclosed switch-disconnectors, 3-pole, front operated

Cable entries from top and bottom

AC 22A			Cable outlets Up/Down	Type	Order number	Terminals mm ²	Weight [kg]
400 V I _e [A]	500 V I _e [A]	690V I _e [A]					
63	63	63	1xM32/2xM32+1xM16	KSE363M/TPN	2CMA144567R1000	16	1.25
80	80	80	1xM32/2xM32+1xM16	KSE380M/TPN	2CMA144568R1000	35	1.30
100	100	100	1xM32/2xM32+1xM16	KSE3100M/TPN	2CMA144570R1000	70	1.50

Black handle (O-I indication), N- and PE-terminals and membrane glands.
When IP 65 degree of protection is required compression glands must be used. Lid included.



KSE 3160, 3250,
3315, 3500, 3630

Cable entries from bottom

AC 22A 500 V I _e [A]	Cable outlets Down	Type	Order number	Terminals mm ²	Weight [kg]
75	2xØ18-48+2xM20	KSE3160	2CMA144712R1000	10-70	9.9
132	4xØ30-68+2xM20	KSE3250	2CMA144713R1000	1)	23.2
160	4xØ30-68+2xM20	KSE3315	2CMA144714R1000	2)	23.2
200	4xØ30-68+2xM20	KSE3500	2CMA144715R1000	2)	26.2
315	4xØ30-68+2xM20	KSE3630	2CMA144716R1000	2)	27.2

Includes pistol type black handle (O-I indication), N-, PE-terminals and rubber glands IP 65.



KSE463, 480
KSE3100

Aluminum enclosed switch-disconnectors, 4-pole, front operated

Cable entries from top and bottom

AC 22A			Cable outlets Up/Down	Type	Order number	Terminals mm ²	Weight [kg]
400 V I _e [A]	500 V I _e [A]	690V I _e [A]					
63	63	63	1xM32/2xM32+M16	KSE463M/TPSN	2CMA144566R1000	35	1.30
80	80	80	1xM32/2xM32+M16	KSE480M/TPSN	2CMA144569R1000	35	1.30
100	100	100	1xM32/2xM32+M16	KSE4100M/TPSN	2CMA144565R1000	70	1.30

Black handle (O-I indication), N- and PE-terminals and membrane glands.
When IP 65 degree of protection is required compression glands must be used.

¹⁾ Terminal screw for cable lugs. (M12) max 2//240mm²

²⁾ Terminal screw for cable lugs. (M12) max 2//3000mm²

Enclosed switches

Ordering information



KSF225
KSF325, 340
KSF425, 440

Firemans switch, 2-pole, side operated in aluminum

Red painted switch-disconnectors for use by firemen to disconnect in case of fire.

Includes special handle with loop and interlocking mechanism, N- and PE-terminals and membrane glands (when IP 65 degree of protection is required compression glands must be used), label "Firemans switch" to be attached in the proper position depending on mounting.

AC 23A 400 V I _e [A]	AC 22A 400 V I _e [A]	Cable outlets Up/Down	Type	Order number	Terminals mm ²	Weight [kg]
16	25	2xM25/2xM25+1xM16	KSF225 M/DP	2CMA144648R1000	4	0.53

Firemans switches, 3-pole, side operated in aluminum

Red painted switch-disconnectors for use by firemen to disconnect in case of fire.

Includes special handle with loop and interlocking mechanism, N- and PE-terminals and membrane glands (when IP 65 degree of protection is required compression glands must be used), label "Firemans switch" to be attached in the proper position depending on mounting.

AC 22A 400 V I _e [A]	AC 23A 400 V I _e [A]	Cable outlets Up/Down	Type	Order number	Terminal mm ²	Weight [kg]
16	25	2xM25/2xM25+1xM16	KSF325 M/TPN NC	2CMA144640R1000 ¹⁾	4 ³⁾	0.55
16	25	2xM25/2xM25+1xM16	KSF325 M/TPN	2CMA144641R1000	4 ³⁾	0.55
16	25	2xM25/2xM25+1xM16	KSF325 M/TPN NO	2CMA144643R1000 ²⁾	4 ³⁾	0.55
25	40	2xM25/2xM25+1xM16	KSF340 M/TPN	2CMA144642R1000	10 ³⁾	0.60

Firemans switches, 4-pole, side operated in aluminum

Red painted switch-disconnectors for use by firemen to disconnect in case of fire.

Includes special handle with loop and interlocking mechanism, N- and PE-terminals and membrane glands (when IP 65 degree of protection is required compression glands must be used), label "Firemans switch" to be attached in the proper position depending on mounting.

AC 23A 400 V I _e [A]	AC 22A 400 V I _e [A]	Cable outlets Up/Down	Type	Order number	Terminal mm ²	Weight [kg]
16	25	2xM25/2xM25+1xM16	KSF425 M/TPSN	2CMA144677R1000	4	0.58
25	40	2xM25/2xM25+1xM16	KSF440 M/TPSN	2CMA144679R1000	10	0.60

¹⁾ Auxiliary contact included, NC = Normal closed.

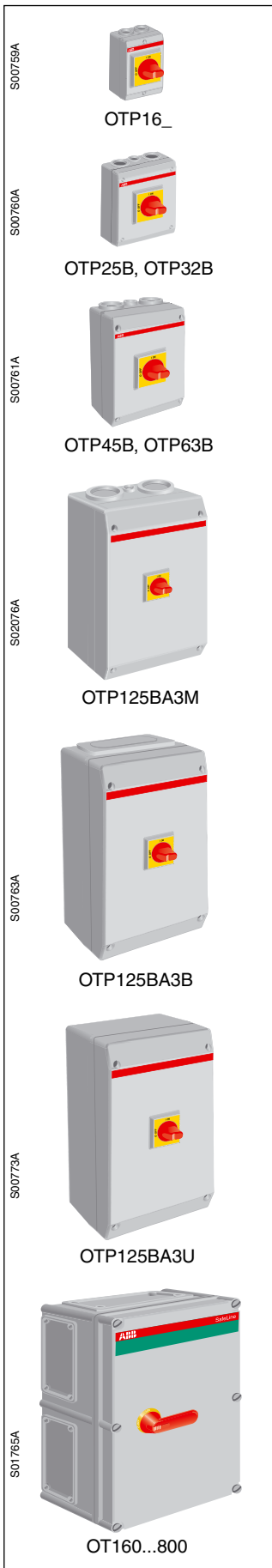
²⁾ Auxiliary contact included, NO = Normal open.

³⁾ Neutral terminal included

Enclosed switches

Ordering information

Plastic enclosed switch-disconnectors, 3-pole, IP65

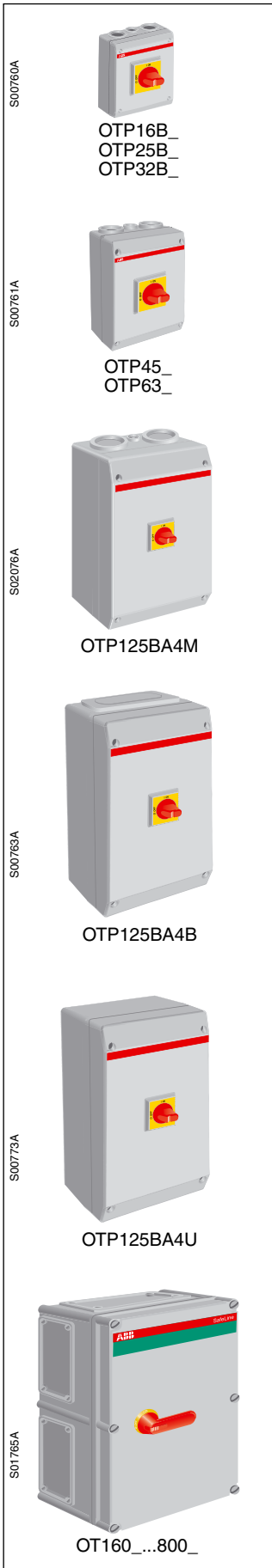


Rated operational current [A]	Cable outlets / size			Enclosure size [mm]			Type	Ordering number	Weight [kg]
	AC-22A ≤500V	AC-23A ≤415V	AC-23A 500V	W	H	D			
Includes selector-type red-yellow handle (I-0 and ON-OFF indication), N- and PE-terminals, two membrane cable glands and two pull stoppers.									
16	16	16	2xM20	85	120	60	OTP16BA3M	1SCA022401R3350	0.4
16	16	16	2xM25	85	120	60	OTP16BA3M25	1SCA022699R2960	0.4
16	16	16	2xPg16	85	120	60	OTP16BA3P	1SCA022389R6880	0.4
Includes selector-type red-yellow handle (I-0 and ON-OFF indication), N- and PE-terminals. Threaded knock-outs, compression glands have to be ordered separately.									
25	20	20	2xM25+M16	130	150	60	OTP25BA3M	1SCA022401R3430	0.5
25	20	20	2xPg21+Pg11	130	150	60	OTP25BA3P	1SCA022389R6960	0.5
40	23	23	2xM25+M16	130	150	60	OTP32BA3M	1SCA022401R3510	0.5
40	23	23	2xPg21+Pg11	130	150	60	OTP32BA3P	1SCA022389R7000	0.5
63	45	45	2xM32+M16	145	200	90	OTP45BA3M	1SCA022401R3600	0.9
63	45	45	2xPg29+Pg11	145	200	90	OTP45BA3P	1SCA022389R7180	0.9
80	75	58	2xM32+M16	145	200	90	OTP63BA3M	1SCA022401R3780	0.9
80	75	58	2xPg29+Pg11	145	200	90	OTP63BA3P	1SCA022389R7260	0.9
125	90	70	2xM50+M16	200	400	140	OTP125BA3M	1SCA022812R7420	2.4
Knock-out flanges, flanges have to be ordered separately.									
125	90	70	I-flange	200	400	140	OTP125BA3B	1SCA022389R7420	2.4
125	90	70	-	200	400	140	OTP125BA3U	1SCA022401R3940	2.4
Includes pistol-type red-yellow handle (I-0 and ON-OFF indication), N- and PE-terminals. Knock-out flanges, flanges have to be ordered separately.									
160	135	125	II-flange	280	380	130	OT160EFCC3BA	1SCA022833R6510	5.4
200	200	200	II-flange	280	560	180	OT200KFCC3BA	1SCA022833R9950	9.0
250	250	250	II-flange	280	560	180	OT250KFCC3BA	1SCA022834R0020	9.0
315	315	315	II-flange	380	560	180	OT315KFCC3BA	1SCA022834R0110	9.0
400	400	400	II-flange	380	840	180	OT400DFCC3BA	1SCA022834R0290	16.0
570	570	570	II-flange	380	840	180	OT630KFCC3BA	1SCA022834R0370	20.0
720	720	720	2xII-flange	560	760	250	OT800KFCC3BA	1SCA022834R0450	30.0

Enclosed switches

Ordering information

Plastic enclosed switch-disconnectors, 4-pole, IP65



Rated operational current [A]	Cable outlets / size			Enclosure size [mm]			Type	Ordering number	Weight [kg]
	AC-22A ≤500V	AC-23A ≤415V	AC-23A 500V	W	H	D			
16	16	16	2xM25+M16	130	150	60	OTP16BA4M	1SCA022459R6510	0.6
16	16	16	2xPg21+Pg11	130	150	60	OTP16BA4P	1SCA022401R4080	0.6
25	20	20	2xM25+M16	130	150	60	OTP25BA4M	1SCA022459R6600	0.7
25	20	20	2xPg21+Pg11	130	150	60	OTP25BA4P	1SCA022433R8140	0.7
40	23	23	2xM25+M16	130	150	60	OTP32BA4M	1SCA022459R6780	0.8
40	23	23	2xPg21+Pg11	130	150	60	OTP32BA4P	1SCA022433R8220	0.8
63	45	45	2xM32+M16	145	200	90	OTP45BA4M	1SCA022459R6860	1.0
63	45	45	2xPg29+Pg11	145	200	90	OTP45BA4P	1SCA022571R5080	1.0
80	75	58	2xM32+M16	145	200	90	OTP63BA4M	1SCA022459R6940	1.0
80	75	58	2xPg29+Pg11	145	200	90	OTP63BA4P	1SCA022571R5160	1.0
125	90	70	2xM50+M16	200	400	140	OTP125BA4M	1SCA022812R7510	2.5

Includes selector-type red-yellow handle (I-0 and ON-OFF indication), N- and PE-terminals. Threaded knock-outs, compression glands have to be ordered separately.

Knock-out flanges, flanges have to be ordered separately.

125	90	70	I-flange	200	400	140	OTP125BA4B	1SCA022571R8510	2.5
125	90	70	-	200	400	140	OTP125BA4U	1SCA022459R7160	2.5

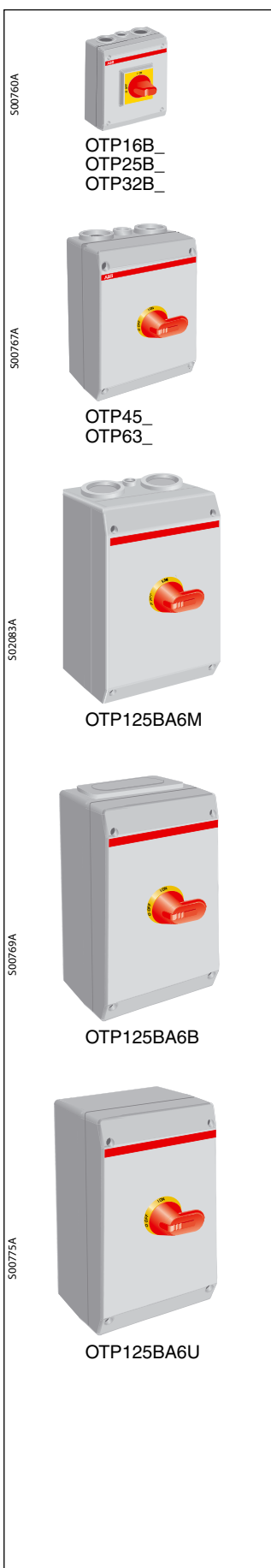
Includes pistol-type red-yellow handle (I-0 and ON-OFF indication), N- and PE-terminals. Knock-out flanges, flanges have to be ordered separately.

160	135	125	II-flange	280	380	130	OT160EFCC4BA	1SCA022833R6690	5.4
200	200	200	II-flange	280	560	180	OT200KFCC4BA	1SCA022834R0530	9.0
250	250	250	II-flange	280	560	180	OT250KFCC4BA	1SCA022834R0610	9.0
315	315	315	II-flange	380	560	180	OT315KFCC4BA	1SCA022834R0700	9.0
400	400	400	II-flange	380	840	180	OT400DFCC4BA	1SCA022834R0880	16.0
570	570	570	II-flange	380	840	180	OT630KFCC4BA	1SCA022834R1000	20.0
720	720	720	2xII-flange	560	760	250	OT800KFCC4BA	1SCA022834R1180	30.0

Enclosed switches

Ordering information

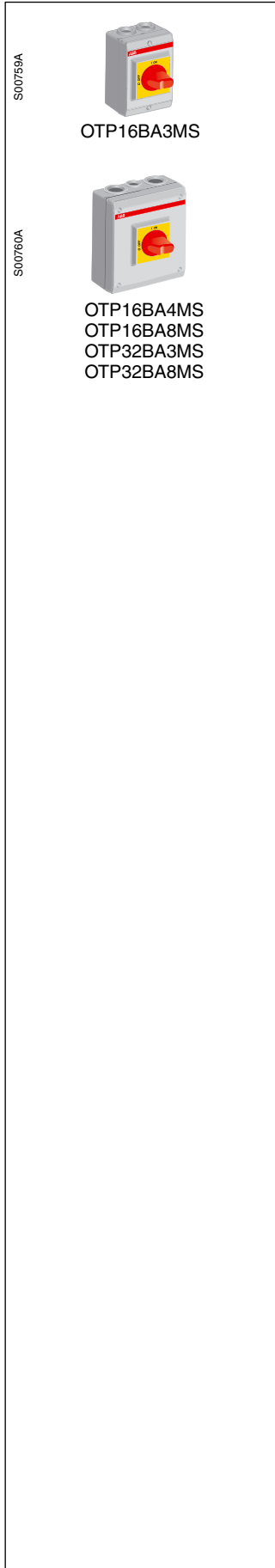
Plastic enclosed switch-disconnectors, 6-pole, IP65



Rated operational current [A]			Cable outlets / size	Enclosure size [mm]			Type	Ordering number	Weight [kg]
AC-22A ≤500V	AC-23A ≤415V	AC-23A 500V		W	H	D			
Includes selector-type red-yellow handle (I-0 and ON-OFF indication), N- and PE-terminals. Threaded knock-outs, compression glands have to be ordered separately.									
16	16	16	2xM25+M16	130	150	85	OTP16BA6M	1SCA022401R6880	0.7
16	16	16	2xPg21+Pg11	130	150	85	OTP16BA6P	1SCA022394R5330	0.7
25	20	20	2xM25+M16	130	150	85	OTP25BA6M	1SCA022401R6960	0.7
25	20	20	2xPg21+Pg11	130	150	85	OTP25BA6P	1SCA022394R5410	0.7
40	23	23	2xM25+M16	130	150	85	OTP32BA6M	1SCA022401R7000	0.7
40	23	23	2xPg21+Pg11	130	150	85	OTP32BA6P	1SCA022394R5680	0.7
Includes pistol-type red-yellow handle (I-0 and ON-OFF indication), N- and PE-terminals. Threaded knock-outs, compression glands have to be ordered separately.									
45	45	45	2xM32+M16	145	200	90	OTP45BA6M	1SCA022401R7180	1.6
45	45	45	2xPg29+Pg11	145	200	90	OTP45BA6P	1SCA022394R5840	1.6
63	45	45	2xM32+M16	145	200	90	OTP63BA6M	1SCA022401R7260	1.6
63	45	45	2xPg29+Pg11	145	200	90	OTP63BA6P	1SCA022394R5760	1.6
125	90	70	2xM50+M16	200	400	140	OTP125BA6M	1SCA022812R7690	3.2
Knock-out flanges, flanges have to be ordered separately.									
125	90	70	I-flange	200	400	140	OTP125BA6B	1SCA022401R7510	3.2
125	90	70	-	200	400	140	OTP125BA6U	1SCA022401R7690	3.2

Enclosed switches

Ordering information

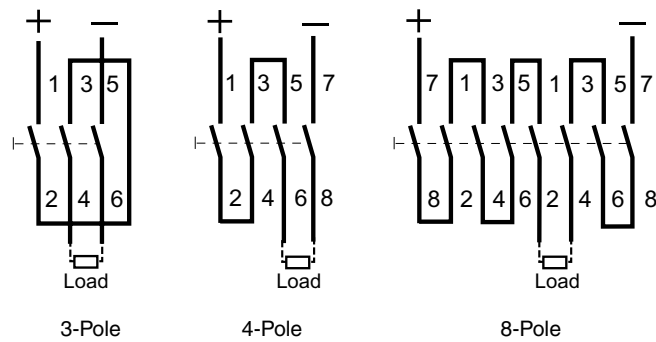


Plastic enclosed switch-disconnectors for solar modules, 2-pole, IP65

Utilisation category and voltage I_n [A] DC-21A DC-20A*	Cable outlets / side	Enclosure size			Type	Ordering number	Weight [kg]
		W	H	D			
16 220 800	2xM20	85	120	60	OTP16BA3MS	1SCA022643R0530	0.4
16 500 800	2xM25+M16	130	150	60	OTP16BA4MS	1SCA022643R0610	0.4
16 800 800	2xM25+M16	130	150	85	OTP16BA8MS	1SCA022643R0700	0.4
32 ¹⁾ 220 800	2xM25+M16	130	150	60	OTP32BA3MS	1SCA022643R0880	0.8
32 ¹⁾ 750 800	2xM25+M16	130	150	85	OTP32BA8MS	1SCA022643R1000	0.8

Includes selector-type red-yellow handle (I-0 and ON-OFF indication).
Threaded knock-outs, compression glands have to be ordered separately.

Circuit diagrams

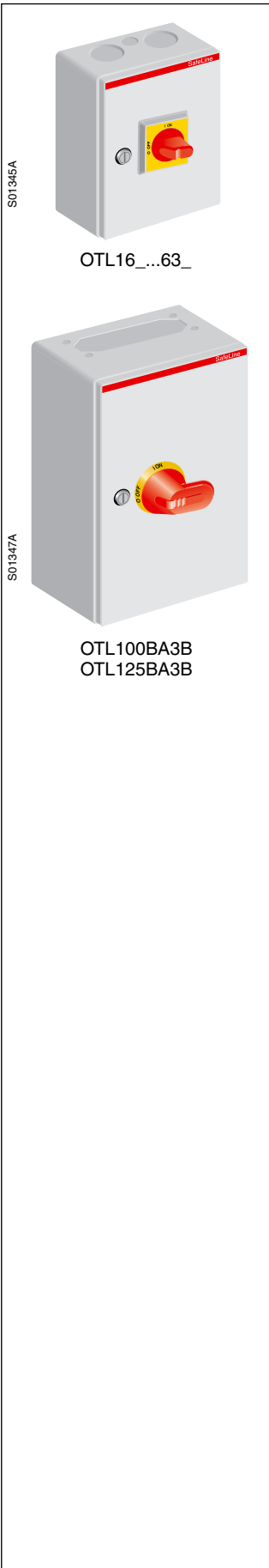


*Insulation voltage $U_i=800V$, pollution degree 2.
*Insulation voltage $U_i=750V$, pollution degree 3.
¹⁾ Ambient temperature max +40 C and average max +35 C / 24h.

Enclosed switches

Ordering information

Steel sheet enclosed switch-disconnectors, 3-pole, IP65



Rated operational current [A]	Cable outlets / size			Enclosure size [mm]			Type	Ordering number	Weight [kg]
	AC-22A ≤500V	AC-23A ≤415V	AC-23A 500V	W	H	D			

Includes selector-type red-yellow handle (I-0 and ON-OFF indication), N- and PE-terminals.
Cable knock-outs as standard, compression glands have to be ordered separately.

16	16	16	2xø25+ø16	150	200	100	OTL16BA3M	1SCA022562R1850	1.7
25	20	20	2xø25+ø16	150	200	100	OTL25BA3M	1SCA022562R3040	1.7
40	23	23	2xø25+ø16	150	200	100	OTL32BA3M	1SCA022562R4100	1.7
63	45	45	2xø32+ø16	150	200	100	OTL45BA3M	1SCA022562R5330	1.9
80	75	58	2xø32+ø16	150	200	100	OTL63BA3M	1SCA022562R6570	1.9

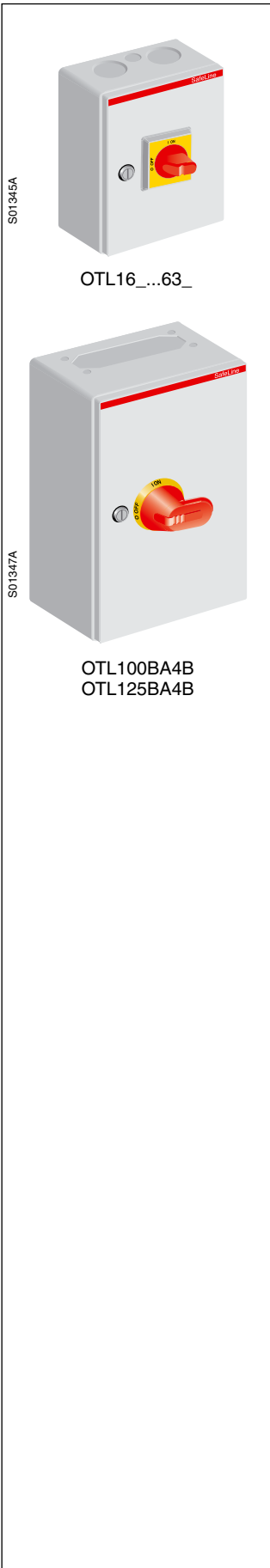
Includes pistol-type red-yellow handle (I-0 and ON-OFF indication), N- and PE-terminals.
Cable knock-outs as standard, flanges have to be ordered separately.

100	80	60	B-flange	200	300	150	OTL100BA3B	1SCA022562R8940	3.4
100	80	60	-	200	300	150	OTL100BA3U	1SCA022562R9080	3.4
125	90	70	B-flange	200	300	150	OTL125BA3B	1SCA022563R0250	3.4
125	90	70	-	200	300	150	OTL125BA3U	1SCA022563R0330	3.4

Enclosed switches

Ordering information

Steel sheet enclosed switch-disconnectors, 4-pole, IP65



Rated operational current [A]	Cable outlets / size			Enclosure size [mm]			Type	Ordering number	Weight [kg]
	AC-22A ≤500V	AC-23A ≤415V	AC-23A 500V	W	H	D			

Includes selector-type red-yellow handle (I-0 and ON-OFF indication), N- and PE-terminals.
Cable knock-outs as standard, compression glands have to be ordered separately.

16	16	16	2xø25+ø16	150	200	100	OTL16BA4M	1SCA022562R2070	1.7
25	20	20	2xø25+ø16	150	200	100	OTL25BA4M	1SCA022562R3210	1.7
40	23	23	2xø25+ø16	150	200	100	OTL32BA4M	1SCA022562R4360	1.7
63	45	45	2xø32+ø16	150	200	100	OTL45BA4M	1SCA022562R5500	1.9
80	75	58	2xø32+ø16	150	200	100	OTL63BA4M	1SCA022562R6730	1.9

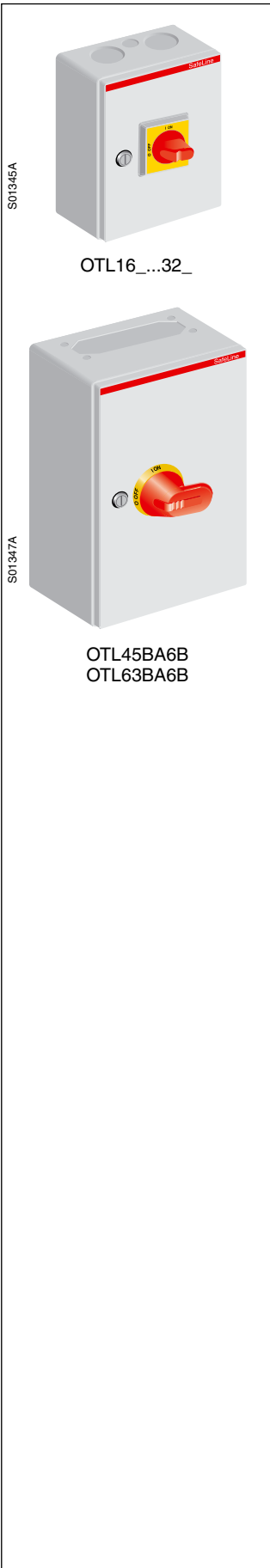
Includes pistol-type red-yellow handle (I-0 and ON-OFF indication), N- and PE-terminals.
Cable knock-outs as standard, flanges have to be ordered separately.

100	80	60	B-flange	200	300	150	OTL100BA4B	1SCA022562R9160	3.4
100	80	60	-	200	300	150	OTL100BA4U	1SCA022562R9240	3.4
125	90	70	B-flange	200	300	150	OTL125BA4B	1SCA022563R0410	3.4
125	90	70	-	200	300	150	OTL125BA4U	1SCA022563R0500	3.4

Enclosed switches

Ordering information

Steel sheet enclosed switch-disconnectors, 6-pole, IP65



Rated operational current [A]	Cable outlets / size			Enclosure size [mm]			Type	Ordering number	Weight [kg]
	AC-22A ≤500V	AC-23A ≤415V	AC-23A 500V	W	H	D			

Includes selector-type red-yellow handle (I-0 and ON-OFF indication), N- and PE-terminals. Cable knock-outs as standard, compression glands have to be ordered separately.

16	16	16	2xø25+ø16	150	200	100	OTL16BA6M	1SCA022562R2230	1.8
25	20	20	2xø25+ø16	150	200	100	OTL25BA6M	1SCA022562R3470	1.8
40	23	23	2xø25+ø16	150	200	100	OTL32BA6M	1SCA022562R4520	1.8

Includes pistol-type red-yellow handle (I-0 and ON-OFF indication), N- and PE-terminals. Cable knock-outs as standard, flanges have to be ordered separately.

63	45	45	B-flange	200	300	150	OTL45BA6B	1SCA022610R5110	3.5
63	45	45	-	200	300	150	OTL45BA6U	1SCA022610R5200	3.5
80	75	58	B-flange	200	300	150	OTL63BA6B	1SCA022610R5380	3.5
80	75	58	-	200	300	150	OTL63BA6U	1SCA022610R5460	3.5

Enclosed switches

Ordering information

Stainless steel sheet enclosed switch-disconnectors, 3-pole, IP65

Rated operational current [A]	Cable outlets / size			Enclosure size [mm]			Type	Ordering number	Weight [kg]
	AC-22A ≤500V	AC-23A ≤415V	AC-23A 500V	W	H	D			

Includes selector-type red-yellow handle (I-0 and ON-OFF indication), N- and PE-terminals. Cable knock-outs as standard, compression glands have to be ordered separately.

16	16	16	2xø25+ø16	150	200	100	OTR16BA3M	1SCA022569R5110	1.7
25	20	20	2xø25+ø16	150	200	100	OTR25BA3M	1SCA022569R5540	1.7
40	23	23	2xø25+ø16	150	200	100	OTR32BA3M	1SCA022569R5970	1.7
63	45	45	2xø32+ø16	150	200	100	OTR45BA3M	1SCA022569R6350	1.9
80	75	58	2xø32+ø16	150	200	100	OTR63BA3M	1SCA022569R6780	1.9

Includes pistol-type red-yellow handle (I-0 and ON-OFF indication), N- and PE-terminals. Cable knock-outs as standard, flanges have to be ordered separately.

100	80	60	B-flange	200	300	135	OTR100BA3B	1SCA022569R7320	3.4
100	80	60	-	200	300	135	OTR100BA3U	1SCA022569R7590	3.4
125	90	70	B-flange	200	300	135	OTR125BA3B	1SCA022569R7750	3.4
125	90	70	-	200	300	135	OTR125BA3U	1SCA022569R7910	3.4

Stainless steel sheet enclosed switch-disconnectors, 4-pole, IP65

Rated operational current [A]	Cable outlets / size			Enclosure size [mm]			Type	Ordering number	Weight [kg]
	AC-22A ≤500V	AC-23A ≤415V	AC-23A 500V	W	H	D			

Includes selector-type red-yellow handle (I-0 and ON-OFF indication), N- and PE-terminals. Cable knock-outs as standard, compression glands have to be ordered separately.

16	16	16	2xø25+ø16	150	200	100	OTR16BA4M	1SCA022569R5200	1.7
25	20	20	2xø25+ø16	150	200	100	OTR25BA4M	1SCA022569R5620	1.7
40	23	23	2xø25+ø16	150	200	100	OTR32BA4M	1SCA022569R6010	1.7
63	45	45	2xø32+ø16	150	200	100	OTR45BA4M	1SCA022569R6430	1.9
80	75	58	2xø32+ø16	150	200	100	OTR63BA4M	1SCA022569R6860	1.9

Includes pistol-type red-yellow handle (I-0 and ON-OFF indication), N- and PE-terminals. Cable knock-outs as standard, flanges have to be ordered separately.

100	80	60	B-flange	200	300	135	OTR100BA4B	1SCA022569R7410	3.4
100	80	60	-	200	300	135	OTR100BA4U	1SCA022569R7670	3.4
125	90	70	B-flange	200	300	135	OTR125BA4B	1SCA022569R7830	3.4
125	90	70	-	200	300	135	OTR125BA4U	1SCA022569R8050	3.4

Stainless steel sheet enclosed switch-disconnectors, 6-pole, IP65

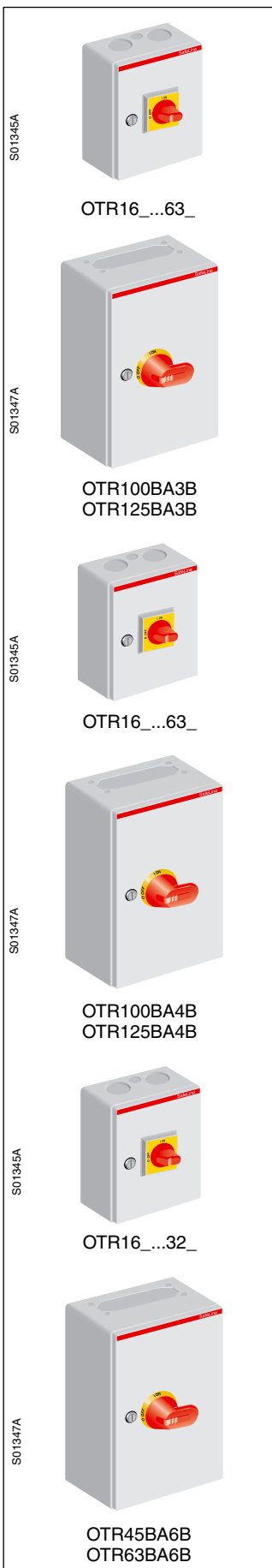
Rated operational current [A]	Cable outlets / size			Enclosure size [mm]			Type	Ordering number	Weight [kg]
	AC-22A ≤500V	AC-23A ≤415V	AC-23A 500V	W	H	D			

Includes selector-type red-yellow handle (I-0 and ON-OFF indication), N- and PE-terminals. Cable knock-outs as standard, compression glands have to be ordered separately.

16	16	16	2xø25+ø16	150	200	100	OTR16BA6M	1SCA022575R2610	1.8
25	20	20	2xø25+ø16	150	200	100	OTR25BA6M	1SCA022575R3090	1.8
40	23	23	2xø25+ø16	150	200	100	OTR32BA6M	1SCA022575R3410	1.8

Includes pistol-type red-yellow handle (I-0 and ON-OFF indication), N- and PE-terminals. Cable knock-outs as standard, flanges have to be ordered separately.

63	45	45	B-flange	200	300	135	OTR45BA6B	1SCA022611R6910	3.5
63	45	45	-	200	300	135	OTR45BA6U	1SCA022611R7040	3.5
80	75	58	B-flange	200	300	135	OTR63BA6B	1SCA022611R7390	3.5
80	75	58	-	200	300	135	OTR63BA6U	1SCA022611R7470	3.5



OTR16...63_

OTR100BA3B
OTR125BA3B

OTR16...63_

OTR100BA4B
OTR125BA4B

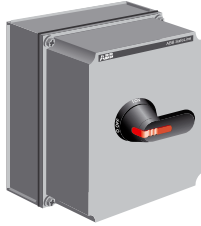
OTR16...32_

OTR45BA6B
OTR63BA6B

Enclosed switches

Ordering information

S01022A



OS20...32P

S00835A



OS32G...400

S00824A



OS20...32

Plastic enclosed switch fuses, BS-type, 3-pole, IP65

I_{th} +40°C [A]	Rated operational current AC 22A / AC 23A 500V [A/A]	Suitable for fuse type BS 88	Cable outlets / side	Enclosure size			Type	Ordering number	Weight [kg]
				W	H	D			

Includes pistol-type black handle (I-0 and ON-OFF indication), N- and PE-terminals.
Delivery with blank cable entries.

20	20/20	A1	-	175	250	150	OS20PA1FUU3B	1SCA022280R9290	1.7
32	32/32	A1	-	175	250	150	OS32PA1FUU3B	1SCA022281R0460	1.7

Includes pistol-type black handle (I-0 and ON-OFF indication), N- and PE-terminals.
Cable knock-outs as standard, flanges have to be ordered separately.

32	32/32	A2-A3	II-flange	280	190	180	OS32GA3FCC3B	1SCA022281R1600	2.8
63	63/63	A2-A3	II-flange	280	190	180	OS63GA3FCC3B	1SCA022280R6780	2.8
125	135/100	A2-A3	II-flange	380	190	180	OS100GA4FCC3B	1SCA022280R8560	4.9
200	200/200	B1-B2	II-flange	380	560	280	OS200BB2FCC3B	1SCA022280R9110	13.6
315	315/315	B1-B3	II-flange	380	560	280	OS315BB3FCC3B	1SCA022281R0380	14.6
400	400/400	B1-B4	II-flange	380	560	280	OS400BB4FCC3B	1SCA022302R6630	14.6

Plastic enclosed switch fuses, BS-type, 4-pole, IP65

I_{th} +40°C [A]	Rated operational current AC 22A / AC 23A 500V [A/A]	Suitable for fuse type BS 88	Cable outlets / side	Enclosure size			Type	Ordering number	Weight [kg]
				W	H	D			

Includes pistol-type black handle (I-0 and ON-OFF indication), N- and PE-terminals.
Delivery with blank cable entries.

20	20/10	A1	-	175	250	150	OS20PA1FUU4B	1SCA022280R9880	1.8
32	32/15	A1	-	175	250	150	OS32PA1FUU4B	1SCA022281R1010	1.8

Includes pistol-type black handle (I-0 and ON-OFF indication), N- and PE-terminals.
Cable knock-outs as standard, flanges have to be ordered separately.

32	32/15	A2-A3	II-flange	280	190	180	OS32GA3FCC4B	1SCA022280R6190	3.0
63	63/30	A2-A3	II-flange	280	190	180	OS63GA3FCC4B	1SCA022280R7320	3.0
125	100/55	A2-A3	II-flange	380	190	180	OS100GA4FCC4B	1SCA022280R7910	5.2
200	200/110	B1-B2	II-flange	380	560	280	OS200BB2FCC4B	1SCA022280R9700	14.4

Steel sheet enclosed switch fuses, BS-type, 3-pole

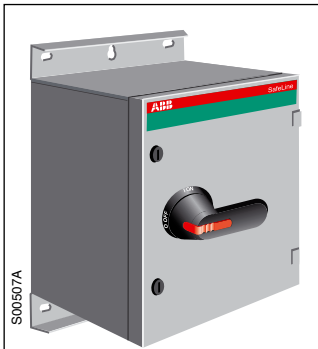
I_{th} +40°C [A]	Rated operational current AC 22A / AC 23A 500V [A/A]	Suitable for fuse type BS 88	Cable outlets / side	Enclosure size			Type	Ordering number	Weight [kg]
				W	H	D			

Includes pistol-type black handle (I-0 and ON-OFF indication), N- and PE-terminals.
Cable knock-outs as standard, compression glands have to be ordered separately.

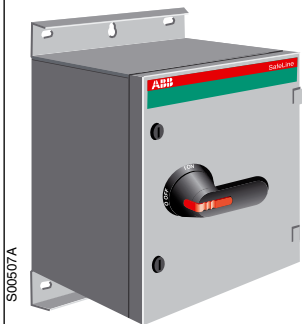
20	20/20	A1	2x ϕ 25+ ϕ 16	233	350	140	OS20PA1LMM3B	1SCA022281R1510	4.0
32	32/32	A1	2x ϕ 25+ ϕ 16	233	350	140	OS32PA1LMM3B	1SCA022281R2670	4.0

Enclosed switches

Ordering information



OS20...800



OS20...800

Steel sheet enclosed switch fuses, BS-type, 4-pole, IP54

I_{th} +40°C [A]	Rated operational current AC 22A / AC 23A 500V [A/A]	Suitable for fuse type BS 88	Cable outlets / side	Enclosure size			Type	Ordering number	Weight [kg]
				W	H	D			

Includes pistol-type black handle (I-0 and ON-OFF indication), N- and PE-terminals.
Cable knock-outs as standard, compression glands have to be ordered separately.

20	20/20	A1	2xø25+ø16	233	350	140	OS20PA1LMM4B	1SCA022281R2080	4.1
32	32/32	A1	2xø25+ø16	233	350	140	OS32PA1LMM4B	1SCA022281R3210	4.1

Steel sheet enclosed switch fuses, BS-type, 3-pole, IP65

I_{th} +40°C [A]	Rated operational current AC 22A / AC 23A 500V [A/A]	Suitable for fuse type BS 88	Cable outlets / side	Enclosure size			Type	Ordering number	Weight [kg]
				W	H	D			

Includes pistol-type black handle (I-0 and ON-OFF indication), N- and PE-terminals.
Delivery with blank cable entries.

20	20/20	A1	-	250	400	180	OS20PA1LUU3FZ	1SCA022320R8400	8.5
32	32/32	A1	-	250	400	180	OS32PA1LUU3FZ	1SCA022320R8660	8.5
32	32/32	A2-A3	-	250	400	180	OS32GA3LUU3FZ	1SCA022320R8820	9.2
63	63/63	A2-A3	-	250	400	180	OS63GA3LUU3FZ	1SCA022320R9040	9.2
125	125/100	A2-A4	-	250	400	180	OS100GA4LUU3FZ	1SCA022320R9210	9.8
135	135/100	B1-B2	-	400	600	230	OS160BB2LUU3FZ	1SCA022320R9470	19.4
200	200/200	B1-B2	-	400	800	330	OS200BB2LUU3FZ	1SCA022320R9630	28.3
315	315/315	B1-B3	-	400	800	330	OS315BB3LUU3FZ	1SCA022320R9800	29.1
400	400/400	B1-B4	-	400	800	330	OS400BB4LUU3FZ	1SCA022321R0050	29.5
600	600/600	C1-C2	-	400	1000	330	OS630BC2LUU3FZ	1SCA022321R0210	44.4
720	720/720	C1-C3	-	800	1000	330	OS800BC3LUU3FZ	1SCA022321R0480	65.0

Steel sheet enclosed switch fuses, BS-type, 4-pole, IP65

I_{th} +40°C [A]	Rated operational current AC 22A / AC 23A 500V [A/A]	Suitable for fuse type BS 88	Cable outlets / side	Enclosure size			Type	Ordering number	Weight [kg]
				W	H	D			

Includes pistol-type black handle (I-0 and ON-OFF indication), N- and PE-terminals.
Delivery with blank cable entries.

20	20/20	A1	-	250	400	180	OS20PA1LUU4FZ	1SCA022321R0640	8.6
32	32/32	A1	-	250	400	180	OS32PA1LUU4FZ	1SCA022321R0810	8.6
32	32/32	A2-A3	-	250	400	180	OS32GA3LUU4FZ	1SCA022321R1020	9.4
63	63/63	A2-A3	-	250	400	180	OS63GA3LUU4FZ	1SCA022320R5990	9.4
125	125/100	A2-A4	-	250	400	180	OS100GA4LUU4FZ	1SCA022320R6110	10.3
135	135/100	B1-B2	-	400	600	230	OS160BB2LUU4FZ	1SCA022320R6370	19.9
200	200/200	B1-B2	-	400	800	330	OS200BB2LUU4FZ	1SCA022320R6530	29.2
315	315/315	B1-B3	-	400	800	330	OS315BB3LUU4FZ	1SCA022320R6700	29.9
400	400/400	B1-B4	-	400	800	330	OS400BB4LUU4FZ	1SCA022320R6960	30.4
600	600/600	C1-C2	-	800	1000	330	OS630BC2LUU4FZ	1SCA022320R7180	67.8
720	720/720	C1-C3	-	800	1000	330	OS800BC3LUU4FZ	1SCA022320R7340	71.0

Steel sheet enclosed switch fuses, BS-type, 2-pole, IP65

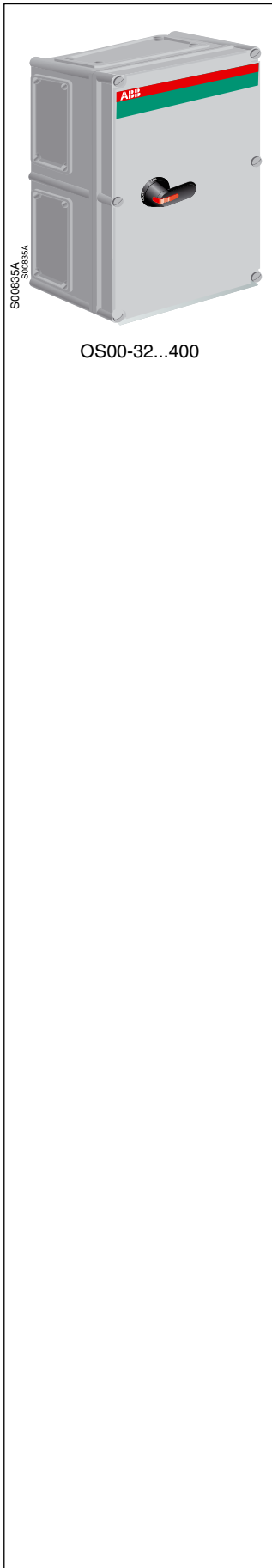
I_{th} +40°C [A]	Rated operational current AC 22A / AC 23A 500V [A/A]	Suitable for fuse type BS 88	Cable outlets / side	Enclosure size			Type	Ordering number	Weight [kg]
				W	H	D			

Includes pistol-type black handle (I-0 and ON-OFF indication), N- and PE-terminals.
Delivery with blank cable entries.

32	32/32	A2-A3	-	250	400	180	OS32GA3LUU2FZ	1SCA022320R7510	8.8
63	63/63	A2-A3	-	250	400	180	OS63GA3LUU2FZ	1SCA022320R7770	8.8
125	125/100	A2-A4	-	250	400	180	OS100GA4LUU2FZ	1SCA022320R7930	9.4
135	135/100	B1-B2	-	400	600	230	OS160BB2LUU2FZ	1SCA022320R8150	19.0
200	200/200	B1-B2	-	400	800	330	OS200BB2LUU2FZ	1SCA022320R8310	27.1
315	315/315	B1-B3	-	400	800	330	OS315BB3LUU2FZ	1SCA022320R8580	27.9
400	400/400	B1-B4	-	400	800	330	OS400BB4LUU2FZ	1SCA022320R8740	28.3
600	600/600	C1-C2	-	400	1000	330	OS630BC2LUU2FZ	1SCA022320R8910	39.0
720	720/720	C1-C3	-	400	1000	330	OS800BC3LUU2FZ	1SCA022320R9120	59.3

Enclosed switches

Ordering information



Plastic enclosed switch fuses, DIN-type, 3-pole

Delivery without cable entries, top and bottom sides are open. Cable entries for C-flanges or for ring-flanges have to be ordered separately, see accessories. These entries are used also for fixing the enclosed switches. Flanges have to be ordered separately too.

Includes pistol-type black handle (I-0 and ON-OFF indication), N- and PE-terminals.

I_{th}	Rated operational current	Suitable for fuse type	Cable outlets	Enclosure size [mm]	Type	Ordering number	Weight
+40° [A]	AC-22A / AC-23A 500V [A/A]	DIN		W H D			[kg]

3-pole, IP54

Includes pistol-type black handle (I-0 and ON-OFF indication), N- and PE-terminals. Cable knock-outs as standard, flanges have to be ordered separately.

32	32/32	00	II-flange	280 190 180	OS00-32A00FCC3B	1SCA022315R1450	2.8
63	63/63	00	II-flange	280 190 180	OS00-63A00FCC3B	1SCA022315R1610	3.0
125	125/100	00	II-flange	280 380 180	OS00A00FCC3B	1SCA022315R2260	4.9
135	135/100	00	II-flange	380 560 180	OS00-160A00FCC3B	1SCA022315R2690	8.0
250	250/250	0-1	II-flange	380 560 280	OS250D1FCC3B	1SCA022315R3070	13.8
400	400/400	0-2	II-flange	380 560 280	OS400D2FCC3B	1SCA022315R3400	14.6

Plastic enclosed switch fuses, DIN-type, 4-pole, IP65

I_{th}	Rated operational current	Suitable for fuse type	Cable outlets	Enclosure size [mm]	Type	Ordering number	Weight
+40° [A]	AC-22A / AC-23A 500V [A/A]	DIN		W H D			[kg]

Includes pistol-type black handle (I-0 and ON-OFF indication), N- and PE-terminals. Cable knock-outs as standard, flanges have to be ordered separately.

32	32/32	00	II-flange	280 190 180	OS00-32A00FCC4B	1SCA022315R1880	3.0
63	63/63	00	II-flange	280 190 180	OS00-63A00FCC4B	1SCA022315R2000	3.0
125	125/100	00	II-flange	280 380 180	OS00A00FCC4B	1SCA022315R2420	5.2
135	135/100	00	II-flange	380 560 180	OS00-160A00FCC4B	1SCA022315R2850	8.5
250	250/250	0-1	II-flange	380 560 280	OS250D1FCC4B	1SCA022315R3230	14.0
400	400/400	0-2	II-flange	560 760 250	OS400D2FCC4B	1SCA022628R6070	14.8

Enclosed switches

Ordering information



Steel sheet enclosed switch fuses, DIN-type

Delivery without cable entries, top and bottom sides are open. Cable entries for C-flanges or for ring-flanges have to be ordered separately, see accessories. These entries are used also for fixing the enclosed switches. Flanges have to be ordered separately too.
Includes pistol-type black handle (I-O and ON-OFF indication), N- and PE-terminals.

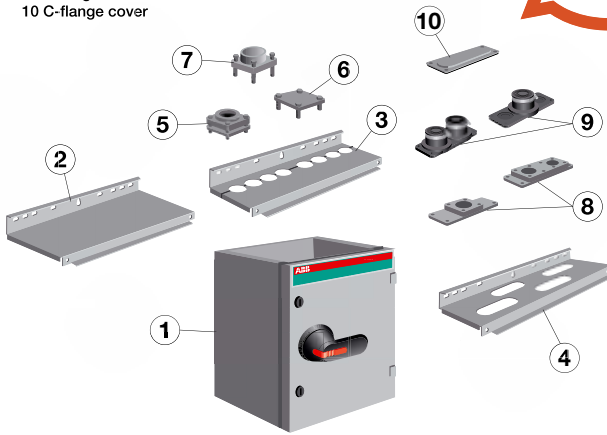
I _n	Rated operational current +40° AC-22A / AC-23A [A]	Suitable for fuse type DIN	Cable outlets	Enclosure size [mm]			Type	Ordering number	Weight [kg]
				W	H	D			
3-pole, IP54									
2	32/32	00	Open	250	400	180	OS00-32A00LAA3B	1SCA022325R2560	9.2
63	63/63	00	Open	250	400	180	OS00-63A00LAA3B	1SCA022292R9600	9.2
125	125/100	00	Open	250	400	180	OS00A00LAA3B	1SCA022325R3110	9.8
135	135/100	00	Open	400	600	230	OS00-160A00LAA3B	1SCA022325R3530	17.8
250	250/250	0-1	Open	400	800	330	OS250D1LAA3B	1SCA022325R3960	28.6
400	400/400	0-2	Open	400	800	330	OS400D2LAA3B	1SCA022292R9860	29.6
600	600/600	3	Open	400	1000	330	OS630D3LAA3B	1SCA022325R4510	43.4
720	720/720	3	Open	800	1000	330	OS800D3LAA3B	1SCA022325R4930	65.0
4-pole, IP54									
32	32/32	00	Open	250	400	180	OS00-32A00LAA4B	1SCA022325R5310	9.4
63	63/63	00	Open	250	400	180	OS00-63A00LAA4B	1SCA022325R5910	9.4
125	125/100	00	Open	250	400	180	OS00A00LAA4B	1SCA022320R6020	10.0
135	135/100	00	Open	400	600	230	OS00-160A00LAA4B	1SCA022320R6450	18.0
250	250/250	0-1	Open	400	800	330	OS250D1LAA4B	1SCA022320R6880	29.4
400	400/400	0-2	Open	400	800	330	OS400D2LAA4B	1SCA022320R7260	30.5
600	600/600	3	Open	800	1000	330	OS630D3LAA4B	1SCA022320R7690	67.8
720	720/720	3	Open	800	1000	330	OS800D3LAA4B	1SCA022320R8070	70.8
3-pole, IP65									
32	32/32	00	Open	250	400	180	OS00-32A00LAA3BZ	1SCA022325R2720	9.2
63	63/63	00	Open	250	400	180	OS00-63A00LAA3BZ	1SCA022325R2990	9.2
125	125/100	00	Open	250	400	180	OS00A00LAA3BZ	1SCA022325R3370	9.8
135	135/100	00	Open	400	600	230	OS00-160A00LAA3BZ	1SCA022325R3700	17.8
250	250/250	0-1	Open	400	800	330	OS250D1LAA3BZ	1SCA022325R4180	28.6
400	400/400	0-2	Open	400	800	330	OS400D2LAA3BZ	1SCA022325R4340	29.6
600	600/600	3	Open	400	1000	330	OS630D3LAA3BZ	1SCA022325R4770	43.4
20	720/720	3	Open	800	1000	330	OS800D3LAA3BZ	1SCA022325R5150	65.0
4-pole, IP65									
32	32/32	00	Open	250	400	180	OS00-32A00LAA4BZ	1SCA022325R5740	9.4
63	63/63	00	Open	250	400	180	OS00-63A00LAA4BZ	1SCA022320R5810	9.4
125	125/100	00	Open	250	400	180	OS00A00LAA4BZ	1SCA022320R6290	10.0
135	135/100	00	Open	400	600	230	OS00-160A00LAA4BZ	1SCA022320R6610	18.0
250	250/250	0-1	Open	400	800	330	OS250D1LAA4BZ	1SCA022320R7000	29.4
400	400/400	0-2	Open	400	800	330	OS400D2LAA4BZ	1SCA022320R7420	30.5
600	600/600	3	Open	800	1000	330	OS630D3LAA4BZ	1SCA022320R7850	67.8
720	720/720	3	Open	800	1000	330	OS800D3LAA4BZ	1SCA022320R8230	70.8

Accessories

Selection overview

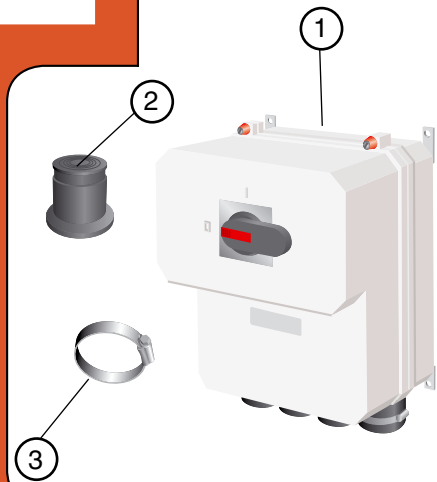
- 1 Enclosure
- 2 Blank cable entry
- 3 Cable entry with ring-flange entries
- 4 Cable entry with C-flange entries
- 5 Ring-flange
- 6 Ring-flange cover
- 7 Plate extension for ring-flanges
- 8 Ring-flange adapters for C-flange covers
- 9 C-flange
- 10 C-flange cover

Steel sheet enclosure

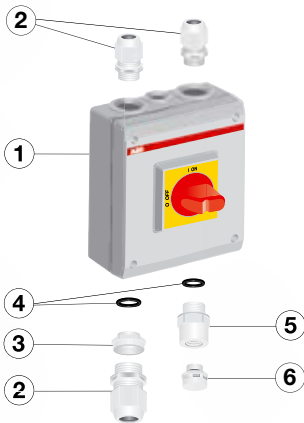


Aluminum enclosure $I_e < 125$

- 1 Enclosure
- 2 Cable tightening / gland
- 3 Hose clamp

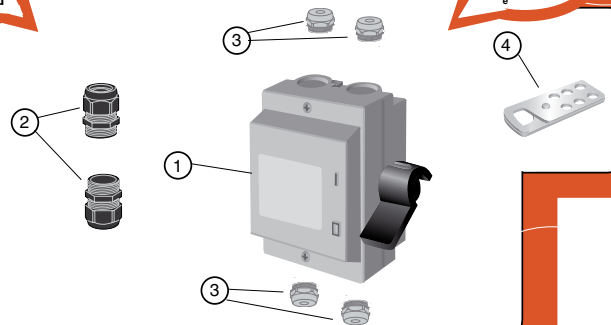


Plastic enclosure Front operated



- 1 Enclosure
- 2 Compression gland
- 3 Extension adapter
- 4 Gasket
- 5 Suppression adapter
- 6 Ventilation plug

Plastic enclosure Side operated



Aluminum enclosure $I_e < 100$

- 1 Enclosure
- 2 Compression gland
- 3 Membrane gland/sealing plug
- 4 Padlock L6

5027183A

Accessories

Ordering information

Auxiliary contacts

Auxiliary contacts for enclosed switch-disconnectors OT16...125E, KSE 225.....4100, BE and BW325...625

The auxiliary contacts n.o. open before the main contacts.

For switch	Auxiliary contact	Mounting to the side of the switch	Type	Ordering number	Delivery batch [pcs]	Weight [kg]
OT16...125E		1no right	OA1G10	1SCA022353R4970	10	0.03
OT16...125E		1nc left	OA1G01	1SCA022353R4890	10	0.03
KSE363...4100		1no right	OA1G10	2CMA144690R1000	10	0.03
KSE363...4100		1nc left	OA1G01	2CMA144690R1000	10	0.03
KSE225...340 BE and BW 325, 340, 625		1no	H11	2CMA144513R1000	1	0.01
KSE225...340 BE and BW 325, 340, 625		1nc	H12	2CMA144514R1000	1	0.01

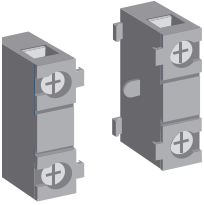
Auxiliary contacts for switch-disconnectors OT125A...1600 , KSE3160...3630

For Weight switches	Auxiliary contact	Type ¹⁾	Ordering number	Delivery batch [pcs]	Weight [kg]
KSE3160-3250		1no	OBEA10	2CMA144519R1000	10 0.02
OT125A...160_		1no	OBEA10AU	1SCA022185R3310	10 0.02
OT200...800		1no	OA1G10	1SCA022353R4970	10 0.03
KSE3160		1nc	OBEA01	2CMA144520R1000	10 0.02
OT12A...16		1nc	OBEA01AU	1SCA022185R3730	10 0.02
OT200...800		1nc	OA3G01	1SCA022456R7410	10 0.03
KSE3315-3250		1no+1nc	OZ XK12	2CMA144521R1000	1 0.12
KSE3500-3630		1no+1nc	OZ XK1	2CMA144522R1000	
OT1000...1600		2no+2nc	OZ XK2	1SCA022131R8850	1 0.12
		2no	OZ XK4	1SCA022131R9230	1 0.10
		4no	OZ XK5	1SCA022131R9400	1 0.12

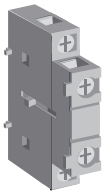
Technical data of auxiliary contacts:

	OA_	OBEA_ and OZ XK_	H11, H12
Protection class	IP 20	IP 20	IEC 337-1
Rated thermal current I _{th}	16 A	10 A	Rated thermal current 10
Cable cross section, max.	2 x 2.5 mm ²	2 x 2.5 mm ²	Dutu category AC11
Cable cross section, min.	0.75 mm ²	0.5 mm ²	Operating voltage 400 230 110
Insulation voltage	690 V	690 V	Rated current 1.5 2.5 5.0
Operational current in different voltages, (IEC 60947-5-1)			
AC-15	230 V 6 A	-	
	400 V 4 A	-	
	415 V 4 A	-	
	690 V 2 A	-	
AC-12	120 V -	8 A	
	240 V -	6 A	
	400...415 V -	4 A	
	480...500 V -	3 A	
	690 V -	2 A	
DC-12	24 V 10	5 A	
	72 V 4	1,9 A	
	125 V 2	1,1 A	
	250 V 0,55	0,55 A	
	440 V 0,1	0,31 A	
	500 V -	0,27 A	
	600 V -	0,2 A	

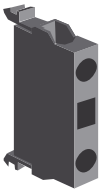
¹⁾ Types _AU for extremely difficult circumstances, even at low voltages. The contacts are gold plated.



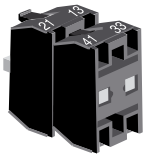
OA1G10
OA3G01
OA1G01



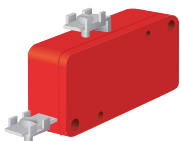
OA2G11



OBEA_



OZ XK_



H11, H12

S00261A

S01025A

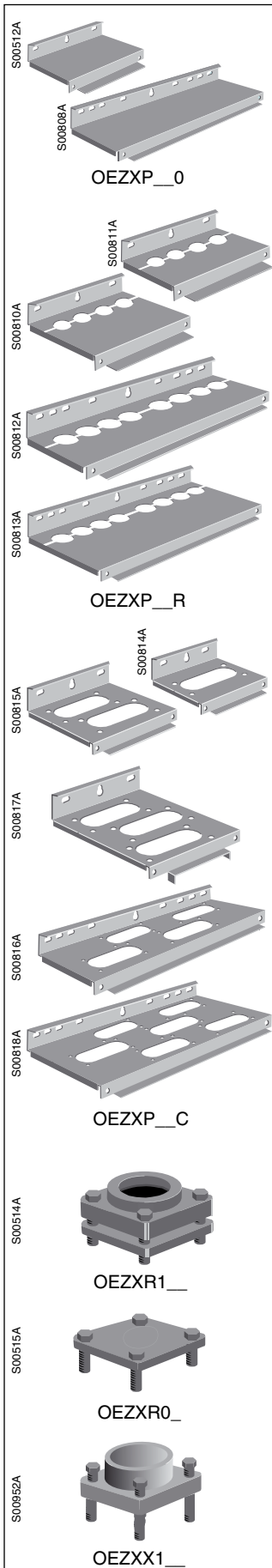
S00040A

S01248A

2CMC34002F005

Accessories

Ordering information



Cable entries for steel sheet enclosed switches

These cable entries are also used for fixing the enclosed switches. The flanges have to be ordered separately.

Size of cable entry W x D [mm]	Number of C-flange entries [pcs]	Number of ring-flange entries [pcs]	Type	Ordering number	Weight [kg]
Blank entries, no flange entries					
250x180	-	-	OEZXP120 ¹⁾	1SCA022277R2350	0.8
400x230	-	-	OEZXP240	1SCA022277R2780	1.5
400x330	-	-	OEZXP340	1SCA022277R3320	2.0
800x230	-	-	OEZXP280	1SCA022277R3910	3.0
800x330	-	-	OEZXP380	1SCA022277R4720	4.0
Cable entries with ring-flange entries, divided ²⁾					
400x230	-	4	OEZXP24R	1SCA022277R3160	1.6
400x330	-	4	OEZXP34R	1SCA022277R3750	2.1
800x230	-	8	OEZXP28R	1SCA022277R4560	3.2
800x330	-	8	OEZXP38R	1SCA022277R5020	4.2
Cable entries with C-flange entries, compact ²⁾					
250x180	1	-	OEZXP120C ¹⁾	1SCA022338R5360	0.8
400x230	2	-	OEZXP240C	1SCA022338R5520	1.7
400x330	3	-	OEZXP340C	1SCA022338R5790	2.3
800x230	4	-	OEZXP280C	1SCA022338R5950	3.4
800x330	6	-	OEZXP380C	1SCA022338R6170	4.5

Cable entry gasket set for IP65 switches

For IP65 switches only, to seal up the cable entry

OEZXX2	1SCA022281R5340
--------	-----------------

Cable flanges for steel sheet enclosures

Ring-flanges for different cable diameters

Outside diameter of cable [mm]	Suitable for cable entries	Type	Ordering number	Weight [kg]
22...35	OEZXP_R	OEZXR134	1SCA022277R5610	0.45
31...44	OEZXP_R	OEZXR143	1SCA022277R5880	0.40
39...51	OEZXP_R	OEZXR150	1SCA022277R6000	0.35
46...59	OEZXP_R	OEZXR158	1SCA022277R6260	0.30

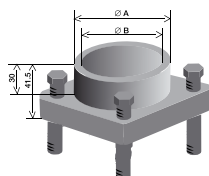
Ring-flange covers with knock-out openings

Knock-out size ϕ / [mm]	Suitable for cable entries	Type	Ordering number	Weight [kg]
20.5	OEZXP_R	OEZXR020	1SCA022656R8130	0.16
22.5	OEZXP_R	OEZXR023	1SCA022277R5290	0.16
25.5	OEZXP_R	OEZXR025	1SCA022656R8120	0.16
37	OEZXP_R	OEZXR037	1SCA022277R5450	0.16
40.5	OEZXP_R	OEZXR040	1SCA022656R8300	0.16

Plate extension for ring-flanges

Screws are included in the delivery. With a plate extension the plastic shrink film can be mounted over the ring-flange and the cable.

Suitable for ring-flanges	Dimensions [mm]		Type	Ordering number	Weight [kg]
	A	B			
OEZXR134 and OEZXR143	49	43	OEZXX143R	1SCA022350R3820	0.18
OEZXR150 and OEZXR158	70	64	OEZXX158R	1SCA022350R3910	0.18

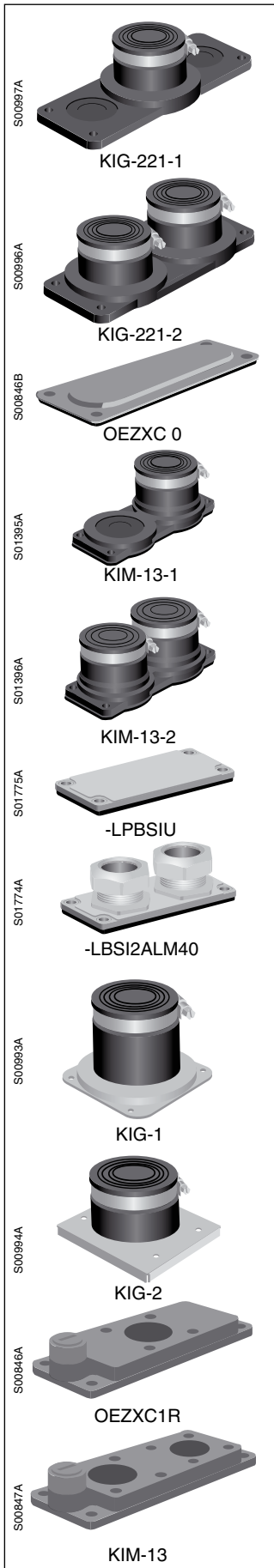


¹⁾ Includes knock-outs ϕ 10, 12.5, 20.5 and 25.5

²⁾ Includes knock-outs ϕ 10, 12.5, 20.5, 25.5 and 32.5

Enclosure accessories

Ordering information



Cable flanges for steel sheet enclosures

C-flanges for cable entries

Mounting set for the flange is included: screws, nuts and a seal extruded into the flanges. Steel.

Suitable cable size ϕ / [mm]	For cable entries/ Compression glands	Type	Ordering number	Weight [kg]
C-flanges				
20...65		KIG-221-1	1SEH650052R6713	0.49
2x(20...65)		KIG-221-2	1SEH650052R6714	0.72

C-flange cover

-	OEZXP__C	OEZXC 0	1SCA022277R6420	0.25
---	----------	---------	-----------------	------

B-flanges for cable entries

15...40		KIM13-1	1SEH655267R2050	0.20
2x(15...40)		KIM13-2	1SEH655267R2060	0.30

Metallic, includes sealing gasket and fixing accessories, compression glands. IP 65.

-	Cover plate, Fe, hot dip galvanized	LBFEU	1SCA022713R6040	0.16
-	Cover plate, siluminium	LBSIU	1SCA022713R6120	0.20
8....14	2xM20	LBSI2ALM20	1SCA022713R6210	0.26
10...16	4xM25	LBSI4ALM25	1SCA022713R6390	0.26
16....21	3xM32	LBSI3ALM32	1SCA022713R6550	0.26
18....27	2xM40	LBSI2ALM40	1SCA022713R6630	0.26
16....21 (M32)/ 10...16 (M25)	2xM32+1xM25	LBSI2ALM32+ 1ALM25	1SCA022722R3520	0.26
10...16	3xM25+ 1xM25 (Blank plug)	LBSI3ALM25+ 1TM25	1SCA022722R3610	0.22

Cable inlet

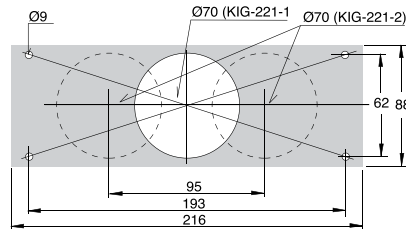
15...45	See the picture below	KIG-1	1SEH650052R6711	0.22
20...65		KIG-2	1SEH650052R6712	0.40

Ring-flange adapters for C-flange entries, Aluminium alloy

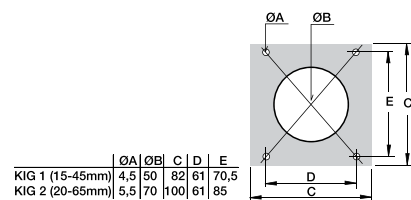
Mounting set for the flange is included: screws, nuts and a seal extruded into the flanges. Ring-flanges have to be ordered separately.

Remarks	Suitable for cable entries	Type	Ordering number	Weight [kg]
One hole for ring-flanges and knock-outs ϕ 21, ϕ 23, ϕ 29	OEZXP__C	OEZXC1R	1SCA022281R3560	0.53
Two holes for ring-flanges and one with Pg 16 threads	OEZXP__C	OEZXC2R	1SCA022281R3720	0.55

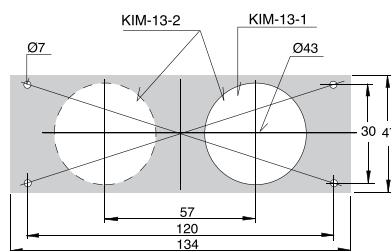
Drilling guide



KIG-221-1 and KIG-221-2



KIG-1 and KIG-2

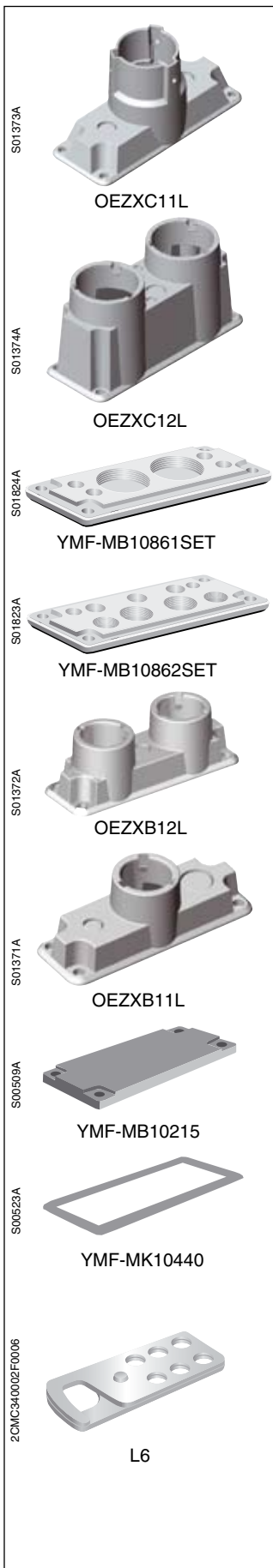


OEZXC2R

Enclosure accessories

Ordering information

Cable flanges for plastic or steel sheet enclosures



Flange size	Outside diameter of cable [mm]	Knock-out of control cable [mm]	Type	Ordering number	Weight [kg]
II/C-flanges					
For cable entries from bottom. Mounting set, flange and cable gasket included.					
II / C	ø 30...55	2 x ø 20,5	OEZXC11L	1SCA022560R5570	0.40
II / C	2 x ø 30...60	2 x ø 20,5 + 2 x ø 10	OEZXC12L	1SCA022560R5730	0.53
Includes sealing gasket and fixing accessories					
II / C	2xM50 + 4xM20		YMF-MB10861SET	1SCA022715R9090	0.14
II / C	2xM32+2xM25+3xM20+2xM16		YMF-MB10862SET	1SCA022715R9170	0.12
I/B-flanges					
For cable entries from bottom. Mounting set, flange and cable gasket included (OEZXB).					
I / B	2 x ø 15...30	ø 12,5	OEZXB12L	1SCA022560R5140	0.12
I / B	ø 15...30	ø 12,5 + ø 20,5	OEZXB11L	1SCA022560R4920	0.10
I / B	Cover plate ¹⁾		YMF-MB10215	1SCA022191R2170	0.05
I / B	Gasket for cover plate		YMF-MK10440	1SCA022660R7130	0.01

Other accessories for plastic enclosures

Flange size	Accessory	Remarks	Type	Ordering number	Weight [kg]
	Mounting lugs (set of 4pcs.)	Plastic, for wall mounting	YMF-MB10674	1SCA022229R0010	

Padlock unit suitable for all side operated switches

Description	Type	Ordering number
Schackle for up to 6 padlocks	L6	2CMA144539R1000

¹⁾ Fixing screws not included

Enclosure accessories

Ordering information

Compression glands, plastic

IP68

Thread	Cable DIA [mm]	Type	Ordering number	Weight [kg]
M12	2-7	ESKV12	1SCA022715R5850	0.01
M16	4,5-10	ESKV16	1SCA022715R5930	0.01
M20	6-13	ESKV20	1SCA022715R6070	0.02
M25	9-17	ESKV25	1SCA022715R6150	0.02
M32	13-21	ESKV32	1SCA022715R6230	0.03
M40	14-28	ESKV40	1SCA022715R6310	0.06
M50	18-35	ESKV50	1SCA022715R6400	0.08
M63	34-48	ESKV63	1SCA022715R6580	0.10

Locking nuts, plastic

Needed if the enclosure holes are not provided with threads

M12	EMUG12	1SCA022715R8280	0.01
M16	EMUG16	1SCA022715R8360	0.01
M20	EMUG20	1SCA022715R8440	0.01
M25	EMUG25	1SCA022715R8520	0.01
M32	EMUG32	1SCA022715R8610	0.01
M40	EMUG40	1SCA022715R8790	0.01
M50	EMUG50	1SCA022715R8870	0.02
M63	EMUG63	1SCA022715R8950	0.02

Compression glands, metallic

IP68.

M12	3...6	EMSKV12/5	1SCA022722R2710	0.02
M16	5...9	EMSKV16/5	1SCA022722R2800	0.03
M20	9...13	EMSKV20/6	1SCA022722R2980	0.04
M25	11...16	EMSKV25/7	1SCA022722R3010	0.06
M32	14...21	EMSKV32/8	1SCA022722R3100	0.08
M40	19...27	EMSKV40/8	1SCA022722R3280	0.08
M50	24...35	EMSKV50/9	1SCA022722R3360	0.10
M63	32...42	EMSKV63/10	1SCA022722R3440	0.12

Locking nuts, metallic

Needed if the enclosure holes are not provided with threads

M12	EMMU12	1SCA022722R1910	0.01
M16	EMMU16	1SCA022722R2040	0.01
M20	EMMU20	1SCA022722R2120	0.02
M25	EMMU25	1SCA022722R2210	0.02
M32	EMMU32	1SCA022722R2390	0.03
M40	EMMU40	1SCA022722R2470	0.04
M50	EMMU50	1SCA022722R2550	0.05
M63	EMMU63	1SCA022722R2630	0.06

Adapters for M-threads, plastic

Thread	Type	Ordering number	Weight [kg]
M16	KRM16/12	1SCA022749R6090	0.01
M20	KRM20/12	1SCA022749R6170	0.01
M25	KRM25/12	1SCA022749R6980	0.01
M25	EPN650M25/M32	1SCA101159R1001	0.01
M32	EPN650M32/M40	1SCA101160R1001	0.01

Gasket

Thread/hole dia	Type	Ordering number	Weight [kg]
M16/ø16.5	EADR16	1SCA022749R6410	0.01
M20/ø20.5	EADR20	1SCA022749R6500	0.01
M25/ø25.5	EADR25	1SCA022749R6680	0.01
M32/ø32.5	EADR32	1SCA101165R1001	0.01

Plastic ventilation plug, IP68

For eliminating the condensation of water or equalizing pressure inside the enclosure.

Thread	Type	Ordering number	Weight [kg]
M12	BVPB11	1SCA022749R6330	0.01

S01778A



-ESKV20

S01779A



-EMUG20

S01777A



-EMSKV25/7

S01780A



-EMMU25

S01865A



S01867A



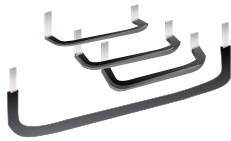
Enclosure accessories

Ordering information

Parallel connection kits for change-over switches

Finger protected connection bars for parallel connection of incoming or outgoing terminals. The bars accept additional cables, the maximum size is stated below.

S01469A



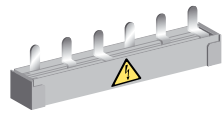
OZXA32

S01470A



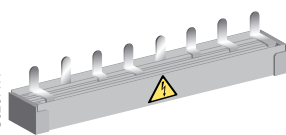
OZXA33

S02078A



OZXA38

S02077A



OZXA39

S02185A



OTZC_

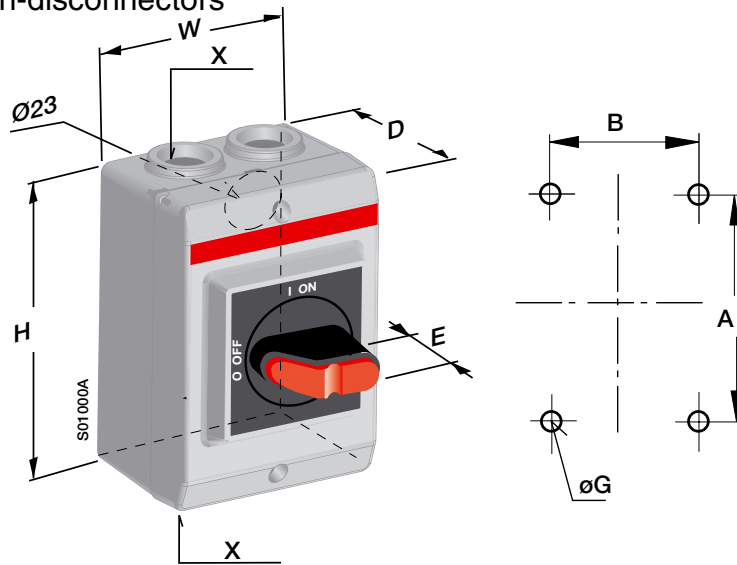
For switches	Max. cable size [mm ²]	Type	Ordering number	Weight [kg]
OT16...32E3C	6 (fine stranded), 10 (stranded)	OZXA33	1SCA022685R0310	0.02
OT16...32E4C	6 (fine stranded), 10 (stranded)	OZXA32	1SCA022683R4110	0.03
OT45...63E3C	25	OZXA38	1SCA022790R3740	0.06
OT45...63E4C	25	OZXA39	1SCA022785R2490	0.09

The bridging bars provide a connection link either on the incoming or outgoing side of the change-over switch.

For switches	Number of poles	Type	Ordering number	Weight [kg]
OT200...250	3	OTZC13	1SCA022767R6910	0.60
	4	OTZC14	1SCA022767R7040	0.80
OT315...400	3	OTZC23	1SCA022767R7120	0.60
	4	OTZC24	1SCA022767R7210	0.80
OT630...800	3	OTZC33	1SCA022785R7020	1.00
	4	OTZC34	1SCA022785R7110	1.30

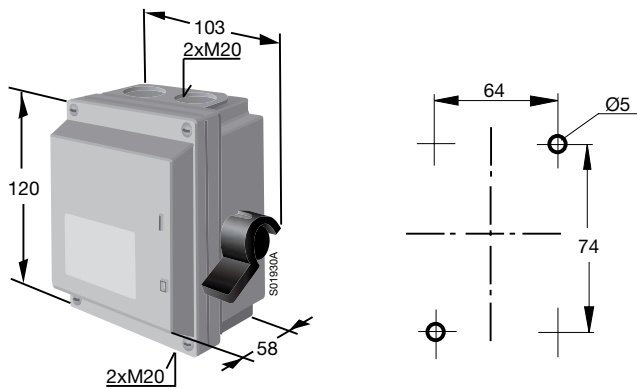
Enclosed switches Dimension drawings

Plastic enclosed switch-disconnectors

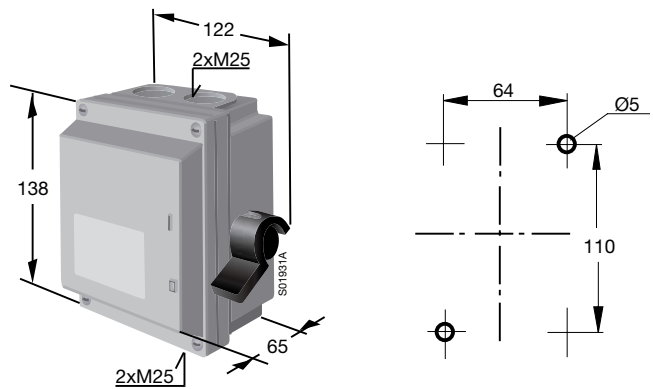


Type	Size				Cable entry	Fixing dimensions	
	H	W	D	E		A	B
3- and 4-pole							
OTP16B3M	120	85	60	33	2xM20	105.5	70.5
OTP16B3M25	120	85	60	33	2xM25	105.5	70.5
OTP16B3P	120	85	60	33	2xPg16	105.5	70.5
OTP16B3U	120	85	60	33	-	105.5	70.5

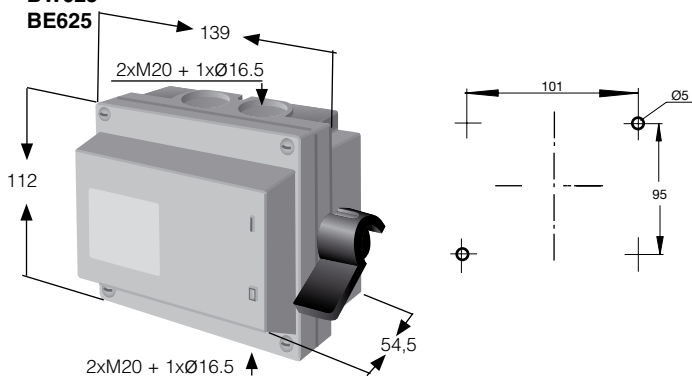
BW225...425 BE225...325



BW240...340 BE340...440

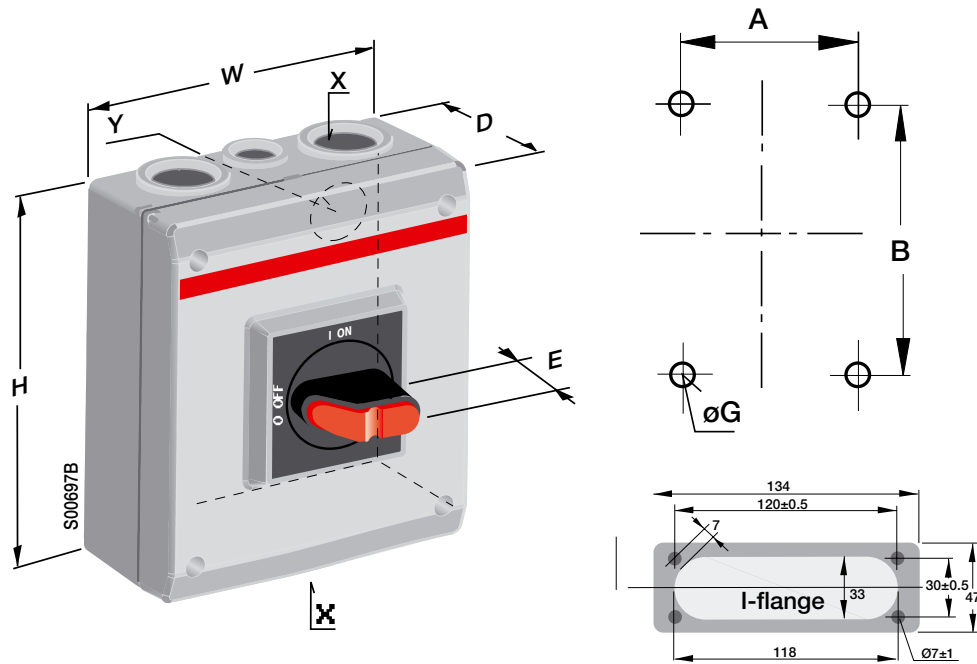


BW625 BE625



Enclosed switches Dimension drawings

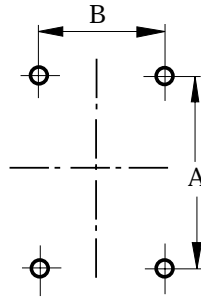
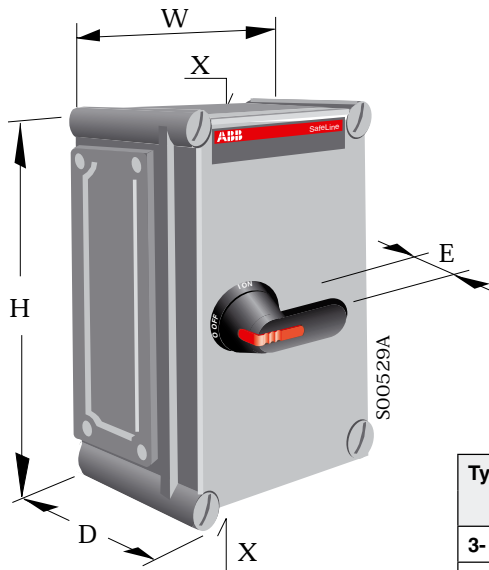
Plastic enclosed switch-disconnectors



Type	Size				Cable entry		Fixing dimensions		
	E	W	H	D	X	Y	A	B	G
3-pole									
OTP 25...32_3M	33	130	150	60	2xM25+M16	2Xø29+ø19	115	136	5
OTP 25...32_3P	33	130	150	60	2XPg21+Pg11	2Xø29+ø19	115	136	5
OTP 45...63_3M	33	145	200	90	2xM32+M16	2Xø38+ø19	129.5	182.5	5
OTP 45...63_3P	33	145	200	90	2xPg29+Pg11	2Xø38+ø19	129.5	182.5	5
OTP80...125_3B	33	200	400	140	I-flange	Blank	176	376	6
OTP80...125_3U	33	200	400	140	Blank	Blank	176	376	6
OTP125_3M	33	200	400	140	2xM50+M16	Blank	176	376	6
4-pole									
OTP 16...32_4M	33	130	150	60	2xM25+M16	2Xø29+ø19	115	136	5
OTP 25...32_4P	33	130	150	60	2XPg21+Pg11	2Xø29+ø19	115	136	5
OTP 45...63_4M	33	145	200	90	2xM32+M16	2Xø38+ø19	129.5	182.5	5
OTP 45...63_4P	33	145	200	90	2xPg29+Pg11	2Xø38+ø19	129.5	182.5	5
OTP80...125_4B	33	200	400	140	I-flange	Blank	176	376	6
OTP80...125_4U	33	200	400	140	Blank	Blank	176	376	6
OTP125_4M	33	200	400	140	2xM50+M16	Blank	176	376	6
6-pole									
OTP 25...32_6M	33	130	150	60	2xM25+M16	2Xø29+ø19	115	136	5
OTP 25...32_6P	33	130	150	60	2XPg21+Pg11	2Xø29+ø19	115	136	5
OTP 45...63_6M	45	145	200	90	2xM32+M16	2Xø38+ø19	129.5	182.5	5
OTP 45...63_6P	45	145	200	90	2xPg29+Pg11	2Xø38+ø19	129.5	182.5	5
OTP80...125_6B	45	200	400	140	I-flange	Blank	176	376	6
OTP80...125_6U	45	200	400	140	Blank	Blank	176	376	6
OTP125_6M	45	200	400	140	2xM50+M16	Blank	176	376	6

Enclosed switches Dimension drawings

Plastic enclosed switch-disconnectors



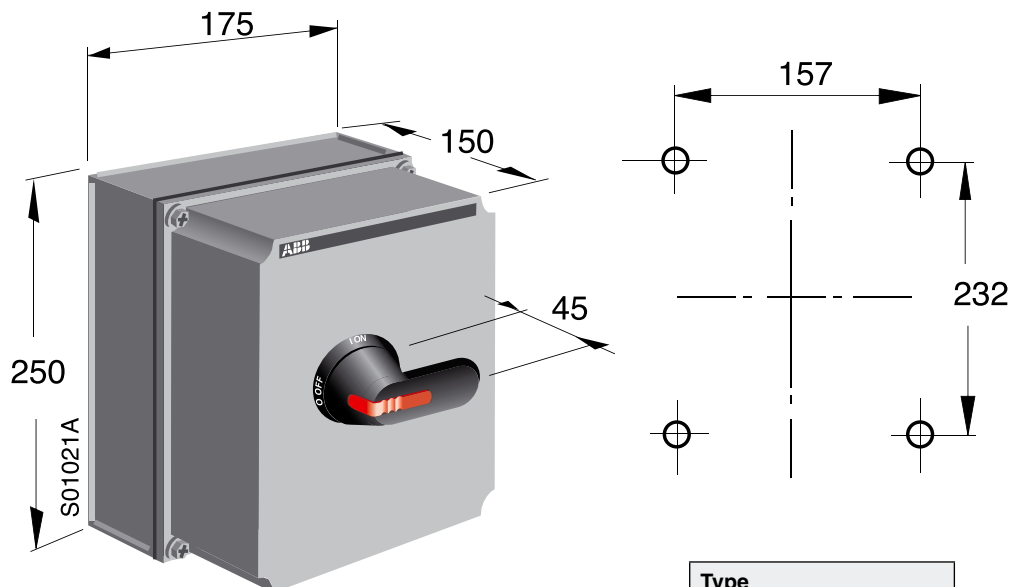
Type	Size				Cable entry X	Fixing dimensions	
	H	W	D	E		A	B
3- and 4-pole							
OT160EFCC_B	380	280	130	45	II	355	255
OT200KFCC_B	560	280	180	45	II	535	255
OT250KFCC_B	560	280	180	45	II	535	255
OT315KFCC_B	560	380	180	45	II	535	355
OT400DFCC_B	840	380	180	45	II	815	355
OT630KFCC_B	840	380	180	45	II	815	355
OT800KFCC_B	760	560	250	45	2xII	735	535

Plastic enclosed switch fuses

Type	Size				Cable entry X	Fixing dimensions	
	H	W	D	E		A	B
BS-type							
OS32GA2FCC3B	190	280	180	45	II	165	255
OS32GA2FCC4B	190	280	180	45	II	165	255
OS63GA3FCC3B	190	280	180	45	II	165	255
OS63GA3FCC4B	190	280	180	45	II	165	255
OS100GA4FCC3B	380	280	180	45	II	355	255
OS100GA4FCC4B	380	280	180	45	II	355	255
OS200BB2FCC3B	560	380	280	45	II	535	355
OS200BB2FCC4B	560	380	280	45	II	535	355
OS315BB3FCC3B	760	560	250	45	2 x II	735	535
OS400BB3FCC3B	760	560	250	45	2 x II	735	535
DIN-type							
OS00-32A00FCC3B	190	280	180	45	II	165	255
OS00-32A00FCC4B	190	280	180	45	II	165	255
OS00-63A00FCC3B	190	280	180	45	II	165	255
OS00-63A00FCC4B	190	280	180	45	II	165	255
OS00A00FCC3B	380	280	180	45	II	355	255
OS00A00FCC4B	380	280	180	45	II	355	255
OS00-160A00FCC3B	560	380	180	45	II	535	355
OS00-160A00FCC4B	560	380	180	45	II	535	355
OS250D1FCC3B	560	380	280	45	II	535	355
OS250D1FCC4B	760	560	250	45	2 x II	735	535
OS400D2FCC3B	760	560	250	45	2 x II	735	535

Enclosed switches Dimension drawings

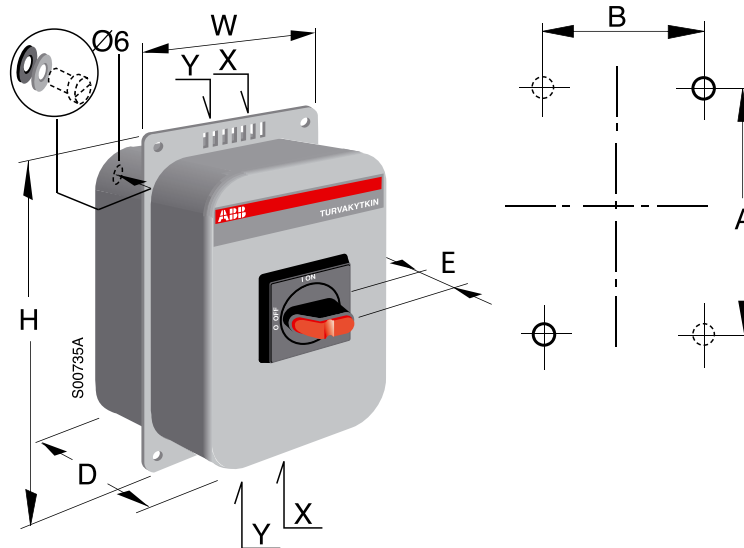
Plastic enclosed switch fuses



Type
OS20PA1FUU3B
OS20PA1FUU4B
OS32PA1FUU3B
OS32PA1FUU4B

Enclosed switches Dimension drawings

Steel sheet enclosed switch-disconnectors



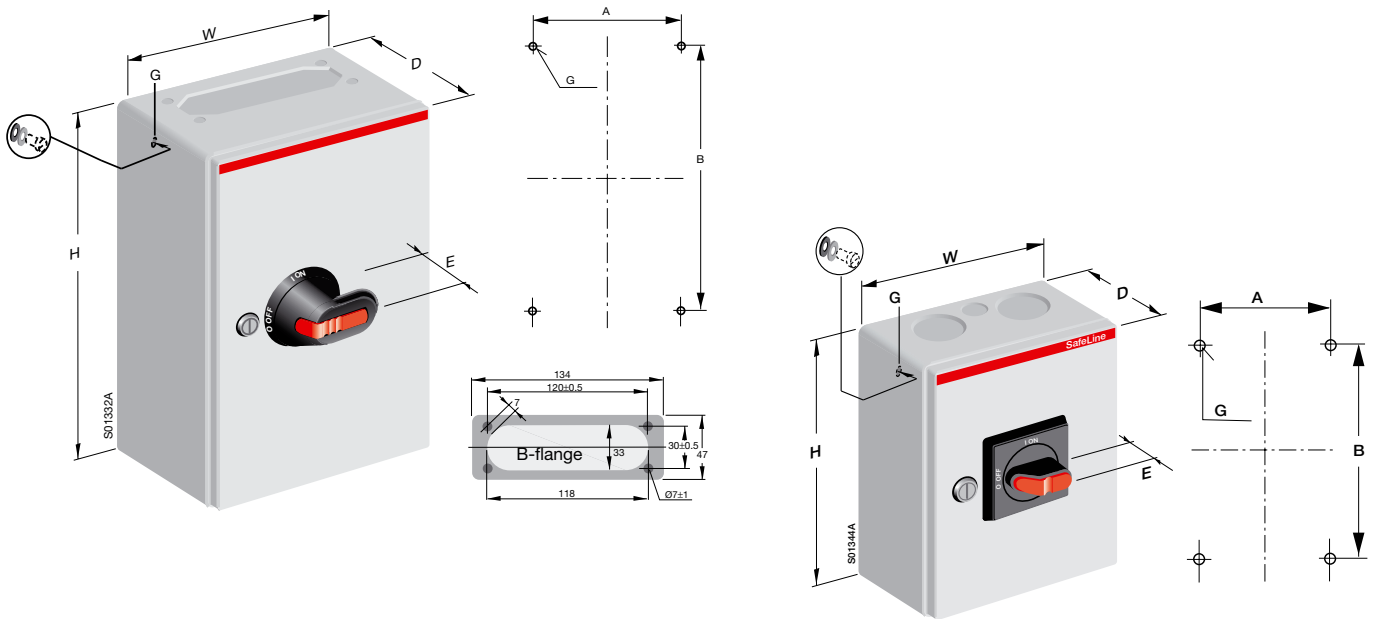
Type	Size				Cable entry X	Fixing dimensions	
	H	W	D	E		A	B
3- and 4-pole							
OT16ELMM_B	240	162	110	34.5	2X ϕ 20+ ϕ 16	144	92
OT25ELMM_B	240	162	110	34.5	2X ϕ 25+ ϕ 16	144	92
OT32ELMM_B	240	162	110	34.5	2X ϕ 25+ ϕ 16	144	92
OT45ELMM_B	240	162	110	34.5	2X ϕ 32+ ϕ 16	144	92
OT63ELMM_B	240	162	110	34.5	2X ϕ 32+ ϕ 16	144	92
OT80ELBB_B	350	233	140	34.5	B-flange	250	160
OT125ELBB_B	350	233	140	34.5	B-flange	250	160
6-pole							
OT16ELMM6BZ	350	233	140	34.5	2X ϕ 25+ ϕ 16	250	160
OT25ELMM6BZ	350	233	140	34.5	2X ϕ 25+ ϕ 16	250	160
OT32ELMM6BZ	350	233	140	34.5	2X ϕ 25+ ϕ 16	250	160
OT45ELMM6BZ	350	233	140	34.5	2X ϕ 32+ ϕ 16	250	160
OT63ELMM6BZ	350	233	140	34.5	2X ϕ 32+ ϕ 16	250	160
change-over							
OT16ELMM3C	350	233	140	34.5	2X ϕ 25+ ϕ 16	250	160
OT25ELMM3C	350	233	140	34.5	2X ϕ 25+ ϕ 16	250	160
OT32ELMM3C	350	233	140	34.5	2X ϕ 25+ ϕ 16	250	160
OT45ELMM3C	350	233	140	34.5	2X ϕ 32+ ϕ 16	250	160
OT63ELMM3C	350	233	140	34.5	2X ϕ 32+ ϕ 16	250	160

Steel sheet enclosed switch fuses

Type	Size				Cable entry X	Fixing dimensions	
	H	W	D	E		A	B
OS20PA1LMM3B	350	233	140	45	2X ϕ 20+ ϕ 16	250	160
OS20PA1LMM4B	350	233	140	45	2X ϕ 20+ ϕ 16	250	160
OS32PA1LMM3B	350	233	140	45	2X ϕ 20+ ϕ 16	250	160
OS32PA1LMM4B	350	233	140	45	2X ϕ 20+ ϕ 16	250	160

Enclosed switches Dimension drawings

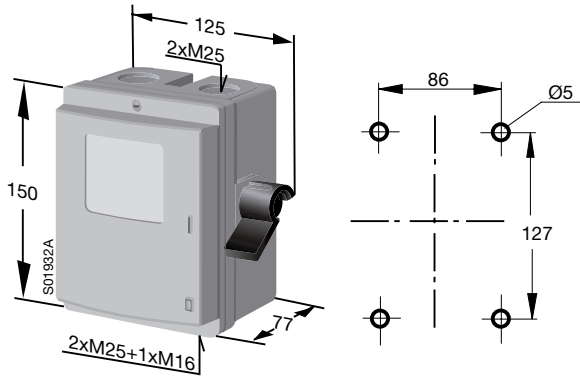
Steel sheet / stainless steel sheet enclosed switch-disconnectors



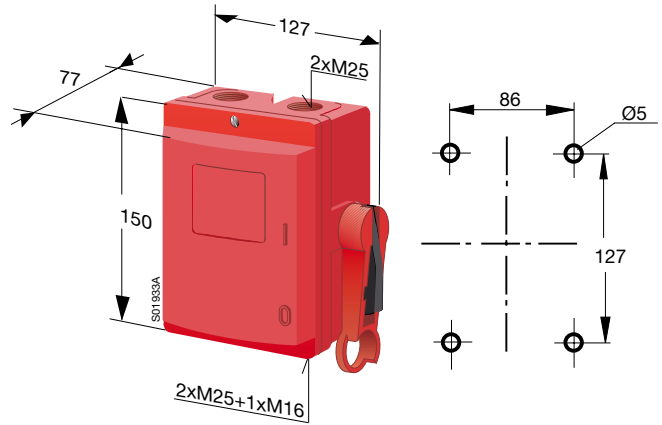
Type	Size				Cable entry		Fixing dimensios		
	E	W	H	D	X	Y	A	B	G
3-pole									
OT_16B_3M	33	150	200	100	2xø25,5+ø16,5	2xø25,5+ø16,5	80	130	6,6
OT_25B_3M	33	150	200	100	2xø25,5+ø16,5	2xø25,5+ø16,5	80	130	6,6
OT_32B_3M	33	150	200	100	2xø25,5+ø16,5	2xø25,5+ø16,5	80	130	6,6
OT_45B_3M	33	150	200	100	2xø32,5+ø16,5	2xø32,5+ø16,5	80	130	6,6
OT_63B_3M	33	150	200	100	2xø32,5+ø16,5	2xø32,5+ø16,5	80	130	6,6
OT_100B_3B	45	200	300	135	B-flange	B-flange	130	230	6,5
OT_100B_3U	45	200	300	135	Blank	Blank	130	230	6,5
OT_125B_3B	45	200	300	135	B-flange	B-flange	130	230	6,5
OT_125B_3U	45	200	300	135	Blank	Blank	130	230	6,5
4-pole									
OT_16B_4M	33	150	200	100	2xø25,5+ø16,5	2xø25,5+ø16,5	80	130	6,6
OT_25B_4M	33	150	200	100	2xø25,5+ø16,5	2xø25,5+ø16,5	80	130	6,6
OT_32B_4M	33	150	200	100	2xø25,5+ø16,5	2xø25,5+ø16,5	80	130	6,6
OT_45B_4M	33	150	200	100	2xø32,5+ø16,5	2xø32,5+ø16,5	80	130	6,6
OT_63B_4M	33	150	200	100	2xø32,5+ø16,5	2xø32,5+ø16,5	80	130	6,6
OT_100B_4B	45	200	300	135	B-flange	B-flange	130	230	6,5
OT_100B_4U	45	200	300	135	Blank	Blank	130	230	6,5
OT_125B_4B	45	200	300	135	B-flange	B-flange	130	230	6,5
OT_125B_4U	45	200	300	135	Blank	Blank	130	230	6,5
6-pole									
OT_16B_6M	33	150	200	100	2xø25,5+ø16,5	2xø25,5+ø16,5	80	130	6,6
OT_25B_6M	33	150	200	100	2xø25,5+ø16,5	2xø25,5+ø16,5	80	130	6,6
OT_32B_6M	33	150	200	100	2xø25,5+ø16,5	2xø25,5+ø16,5	80	130	6,6
OT_45B_6B	45	200	300	135	B-flange	B-flange	130	230	6,5
OT_45B_6U	45	200	300	135	Blank	Blank	130	230	6,5
OT_63B_6B	45	200	300	135	B-flange	B-flange	130	230	6,5
OT_63B_6U	45	200	300	135	Blank	Blank	130	230	6,5

Enclosed switches Dimension drawings

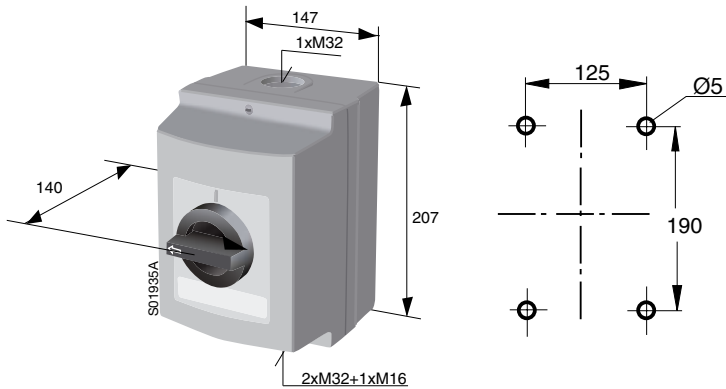
KSE225...440



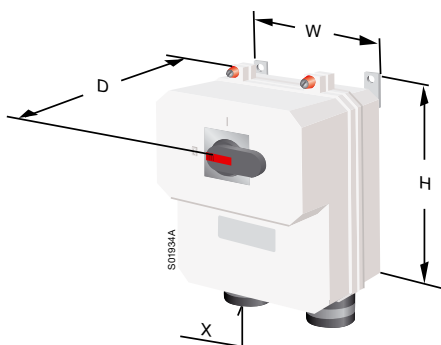
KSF325...440



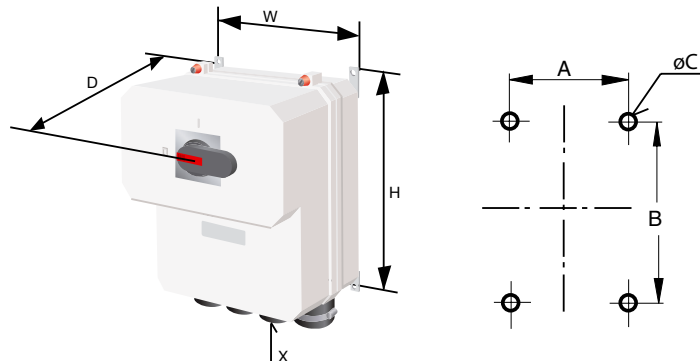
KSE263...4100



KSE3160



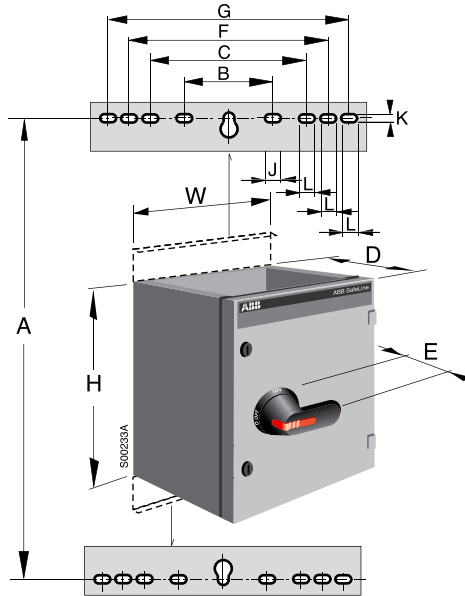
KSE3250...3630



Type	H	W	D	X	A min/max	B min/max	C
KSE3160	405	400	234	2xØ18-48	340/414	331/405	8
KSE3250/3315	555	465	322	4xØ30-68	395/490	485/580	10
KSE3500/3630	655	565	322	4xØ30-68	495/590	585/680	10

Enclosed switches Dimension drawings

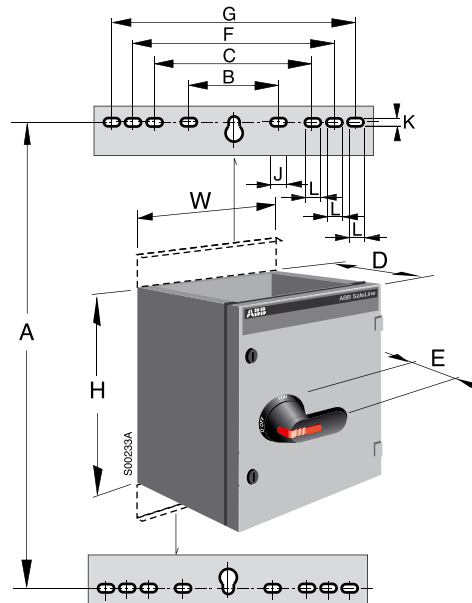
Steel sheet enclosed switch-disconnectors



Type	Size				Fixing dimensions					Fixing holes		
	H	W	D	E	A	B	C	F	G	J	K	L
3- and 4-pole												
OT125AL_	400	250	180	45	445	162	-	-	-	27	11	-
OT160EL_	600	250	180	45	445	162	-	-	-	27	11	-
OT200KL_	600	400	230	45	645	303	-	-	-	35	11	-
OT250KL_	600	400	230	45	645	303	-	-	-	35	11	-
OT315KL_	600	400	230	45	645	303	-	-	-	35	11	-
OT400DL_	800	400	230	45	845	303	-	-	-	35	11	-
OT630KL_	1000	400	230	45	1045	303	-	-	-	35	11	-
OT800KL_	1000	400	230	45	1045	303	-	-	-	35	11	-
OT1000KL_	1200	800	230	45	1045	303	512	612	712	35	11	27
OT1250KL_	1200	800	330	45	1045	303	512	612	712	35	11	27
OT1600KL_	1200	800	330	45	1045	303	512	612	712	35	11	27
6-pole												
OT125AL_	400	400	230	45	445	303	-	-	-	35	11	-
OT160EL_	400	400	230	45	445	303	-	-	-	35	11	-
OT200KL_	600	800	230	45	645	303	-	-	-	35	11	-
OT250KL_	800	800	230	45	845	303	-	-	-	35	11	-
OT315KL_	800	800	230	45	845	303	-	-	-	35	11	-
OT400DL_	800	800	230	45	845	303	-	-	-	35	11	-
OT630KL_	1000	800	230	45	1045	303	-	-	-	35	11	-
OT800KL_	1000	800	230	45	1045	303	-	-	-	35	11	-
change-over												
OT125DL_	400	250	180	45	445	162	-	-	-	27	11	-
OT160EL_	600	400	230	45	645	303	-	-	-	35	11	-
OT200KL_	600	400	230	45	645	303	-	-	-	35	11	-
OT250KL_	600	400	230	45	845	303	-	-	-	35	11	27
OT315KL_	800	400	230	45	845	303	-	-	-	35	11	27
OT400DL_	800	400	230	45	845	303	-	-	-	35	11	27
OT630KL_	1000	800	330	45	1045	303	512	612	712	35	11	27
OT800KL_	1000	800	330	45	1045	303	512	612	712	35	11	

Enclosed switches Dimension drawings

Steel sheet enclosed switch fuses



Type BS-type	Size				Fixing dimensions					Fixing holes		
	H	W	D	E	A	B	C	F	G	J	K	L
2-, 3-, and 4-pole												
OS20PA1LUU_	400	250	180	45	445	162	-	-	-	27	11	-
OS32PA1LUU_	400	250	180	45	445	162	-	-	-	27	11	-
OS32GA3LUU_	400	250	180	45	445	162	-	-	-	27	11	-
OS63GA3LUU_	400	250	180	45	445	162	-	-	-	27	11	-
OS100GA4LUU_	400	250	180	45	445	162	-	-	-	27	11	-
OS160BB2LUU_	600	400	230	45	645	303	-	-	-	35	11	-
OS200BB2LUU_	800	400	330	45	845	303	-	-	-	35	11	-
OS315BB3LUU_	800	400	330	45	845	303	-	-	-	35	11	-
OS400BB4LUU_	800	400	330	45	845	303	-	-	-	35	11	-
OS630BC2LUU2FZ	1000	400	330	45	1045	303	-	-	-	35	11	-
OS630BC2LUU3FZ	1000	400	330	45	1045	303	-	-	-	35	11	-
OS630BC2LUU4FZ	1000	800	330	45	1045	303	512	612	712	35	11	27
OS800BC2LUU2FZ	1000	400	330	45	1045	303	-	-	-	35	11	-
OS800BC2LUU3FZ	1000	800	330	45	1045	303	512	612	712	35	11	27
OS800BC2LUU4FZ	1000	800	330	45	1045	303	512	612	712	35	11	27

Type DIN-type	Size				Fixing dimensions					Fixing holes		
	H	W	D	E	A	B	C	F	G	J	K	L
3- and 4-pole												
OS00-32A00LAA_	400	250	180	45	445	162	-	-	-	27	11	-
OS00-63A00LAA_	400	250	180	45	445	162	-	-	-	27	11	-
OS00A00LAA_	400	250	180	45	445	162	-	-	-	27	11	-
OS00-160A00LAA_	600	400	230	45	645	303	-	-	-	35	11	-
OS250DILAA_	800	400	330	45	845	303	-	-	-	35	11	-
OS400D2LAA_	800	400	330	45	845	303	-	-	-	35	11	-
OS630D3LAA3B_	1000	400	330	45	1045	303	-	-	-	35	11	-
OS630D3LAA4B_	1000	800	330	45	1045	303	512	612	712	35	11	27
OS800D3LAA_	1000	800	330	45	1045	303	512	612	712	35	11	27

Index

Type	Order number	Page	Description
BE225M/DP	2CMA142012R1000	10	Enclosure switch
BE325M/TPN	2CMA142048R1000	11	Enclosure switch
BE325YM/TPN	2CMA142050R1000	11	Enclosure switch
BE325L/TPN	2CMA142146R1000	11	Enclosure switch
BE340M/TPN	2CMA142054R1000	11	Enclosure switch
BE425M/TPSN	2CMA142083R1000	13	Enclosure switch
BE440M/TPSN	2CMA142164R1000	13	Enclosure switch
BE625M/TPN	2CMA142052R1000	14	Enclosure switch
BVPB11	1SCA022749R6330	42	Enclosure accessories
BW225M/DP	2CMA142004R1000	10	Enclosure switch
BW240M/DP	2CMA1420020R1000	10	Enclosure switch
BW325M/TPN	2CMA142077R1000	11	Enclosure switch
BW340M/TPN	2CMA142079R1000	11	Enclosure switch
BW325MW/TPN	2CMA142081R1000	11	Enclosure switch
BW325MW/TPN	2CMA142080R1000	11	Enclosure switch
BW425M/TPSN	2CMA142085R1000	13	Enclosure switch
BW625M/TPN	2CMA142060R1000	14	Enclosure switch
EADR16	1SCA022749R6410	42	Enclosure accessories
EADR20	1SCA022749R6500	42	Enclosure accessories
EADR25	1SCA022749R6680	42	Enclosure accessories
EADR32	1SCA101165R1001	42	Enclosure accessories
EMMU12	1SCA022722R1910	42	Enclosure accessories
EMMU16	1SCA022722R2040	42	Enclosure accessories
EMMU20	1SCA022722R2120	42	Enclosure accessories
EMMU25	1SCA022722R2210	42	Enclosure accessories
EMMU32	1SCA022722R2390	42	Enclosure accessories
EMMU40	1SCA022722R2470	42	Enclosure accessories
EMMU50	1SCA022722R2550	42	Enclosure accessories
EMMU63	1SCA022722R2630	42	Enclosure accessories
EMSKV12/5	1SCA022722R2710	42	Enclosure accessories
EMSKV16/5	1SCA022722R2800	42	Enclosure accessories
EMSKV20/6	1SCA022722R2980	42	Enclosure accessories
EMSKV25/7	1SCA022722R3010	42	Enclosure accessories
EMSKV32/8	1SCA022722R3100	42	Enclosure accessories
EMSKV40/8	1SCA022722R3280	42	Enclosure accessories
EMSKV50/9	1SCA022722R3360	42	Enclosure accessories
EMSKV63/10	1SCA022722R3440	42	Enclosure accessories
EMUG12	1SCA022715R8280	42	Enclosure accessories
EMUG16	1SCA022715R8360	42	Enclosure accessories
EMUG20	1SCA022715R8440	42	Enclosure accessories
EMUG25	1SCA022715R8520	42	Enclosure accessories
EMUG32	1SCA022715R8610	42	Enclosure accessories
EMUG40	1SCA022715R8790	42	Enclosure accessories
EMUG50	1SCA022715R8870	42	Enclosure accessories
EMUG63	1SCA022715R8950	42	Enclosure accessories
EPN650M25/M32	1SCA101159R1001	42	Enclosure accessories
EPN650M32/M40	1SCA101160R1001	42	Enclosure accessories
ESKV12	1SCA022715R5850	42	Enclosure accessories
ESKV16	1SCA022715R5930	42	Enclosure accessories
ESKV20	1SCA022715R6070	42	Enclosure accessories
ESKV25	1SCA022715R6150	42	Enclosure accessories
ESKV32	1SCA022715R6230	42	Enclosure accessories
ESKV40	1SCA022715R6310	42	Enclosure accessories
ESKV50	1SCA022715R6400	42	Enclosure accessories
ESKV63	1SCA022715R6580	42	Enclosure accessories
H11	2CMA144513R1000	38	Accessories
H12	2CMA144514R1000	38	Accessories
KIG-1	1SEH650052R6711	40	Enclosure accessories
KIG-2	1SEH650052R6712	40	Enclosure accessories
KIG-221-1	1SEH650052R6713	40	Enclosure accessories
KIG-221-2	1SEH650052R6714	40	Enclosure accessories
KIM13-1	1SEH655267R2050	40	Enclosure accessories
KIM13-2	1SEH655267R2060	40	Enclosure accessories
KRM16/12	1SCA022749R6090	42	Enclosure accessories
KRM20/12	1SCA022749R6170	42	Enclosure accessories
KRM25/12	1SCA022749R6980	42	Enclosure accessories

Type	Order number	Page	Description
KSE225M/TPN	2CMA144702R1000	22	Enclosed switch
KSE240M/TPN	2CMA144703R1000	22	Enclosed switch
KSE263M/TPN D	2CMA144579R1000	22	Enclosed switch
KSE3100M/TPN	2CMA144570R1000	23	Enclosed switch
KSE3160	2CMA144712R1000	23	Enclosed switch
KSE3250	2CMA144713R1000	23	Enclosed switch
KSE325M/TPN	2CMA144700R1000	23	Enclosed switch
KSE3315	2CMA144714R1000	23	Enclosed switch
KSE340M/TPN	2CMA144701R1000	23	Enclosed switch
KSE340M/TPN D	2CMA144736R1000	23	Enclosed switch
KSE3500	2CMA144715R1000	23	Enclosed switch
KSE3630	2CMA144716R1000	23	Enclosed switch
KSE363M/TPN	2CMA144567R1000	23	Enclosed switch
KSE380M/TPN	2CMA144568R1000	23	Enclosed switch
KSE4100M/TPSN	2CMA144565R1000	24	Enclosed switch
KSE425M/TPSN	2CMA144706R1000	24	Enclosed switch
KSE440M/TPSN	2CMA144735R1000	24	Enclosed switch
KSE463M/TPSN	2CMA144566R1000	24	Enclosed switch
KSE480M/TPSN	2CMA144569R1000	24	Enclosed switch
KSF225M/DP	2CMA144648R1000	22	Enclosed switch
KSF325M/TPN	2CMA144641R1000	23	Enclosed switch
KSF325M/TPN NC	2CMA144640R1000	23	Enclosed switch
KSF325M/TPN NO	2CMA144643R1000	23	Enclosed switch
KSF340M/TPN	2CMA144642R1000	23	Enclosed switch
KSF425M/TPSN	2CMA144677R1000	24	Enclosed switch
KSF440M/TPSN	2CMA144679R1000	24	Enclosed switch
L6	2CMA144539R1000	41	Enclosure accessories
LBFEU	1SCA022713R6040	40	Enclosure accessories
LBSI2ALM20	1SCA022713R6210	40	Enclosure accessories
LBSI2ALM32+ 1ALM25	1SCA022722R3520	40	Enclosure accessories
LBSI2ALM40	1SCA022713R6630	40	Enclosure accessories
LBSI3ALM25+ 1TM25	1SCA022722R3610	40	Enclosure accessories
LBSI3ALM32	1SCA022713R6550	40	Enclosure accessories
LBSI4ALM25	1SCA022713R6390	40	Enclosure accessories
LBSIU	1SCA022713R6120	40	Enclosure accessories
OA1G01	1SCA022353R4890	38	Accessories
OA1G01	2CMA144690R1000	38	Accessories
OA1G10	1SCA022353R4970	38	Accessories
OA1G10	2CMA144690R1000	38	Accessories
OA3G01	1SCA022456R7410	38	Accessories
OBEA01	2CMA144520R1000	38	Accessories
OBEA01AU	1SCA022185R3730	38	Accessories
OBEA10	2CMA144519R1000	38	Accessories
OBEA10AU	1SCA022185R3310	38	Accessories
OEZXB11L	1SCA022560R4920	41	Enclosure accessories
OEZXB12L	1SCA022560R5140	41	Enclosure accessories
OEZXC 0	1SCA022277R6420	40	Enclosure accessories
OEZXC11L	1SCA022560R5570	41	Enclosure accessories
OEZXC12L	1SCA022560R5730	41	Enclosure accessories
OEZXC1R	1SCA022281R3560	40	Enclosure accessories
OEZXC2R	1SCA022281R3720	40	Enclosure accessories
OEZXP120 1)	1SCA022277R2350	39	Accessories
OEZXP120C 1)	1SCA022338R5360	39	Accessories
OEZXP240	1SCA022277R2780	39	Accessories
OEZXP240C	1SCA022338R5520	39	Accessories
OEZXP24R	1SCA022277R3160	39	Accessories
OEZXP280	1SCA022277R3910	39	Accessories
OEZXP280C	1SCA022338R5950	39	Accessories
OEZXP28R	1SCA022277R4560	39	Accessories
OEZXP340	1SCA022277R3320	39	Accessories
OEZXP340C	1SCA022338R5790	39	Accessories
OEZXP34R	1SCA022277R3750	39	Accessories
OEZXP380	1SCA022277R4720	39	Accessories
OEZXP380C	1SCA022338R6170	39	Accessories
OEZXP38R	1SCA022277R5020	39	Accessories
OEZXR020	1SCA022656R8130	39	Accessories

Index

Type	Order number	Page	Description
OEZXR023	1SCA022277R5290	39	Accessories
OEZXR025	1SCA022656R8120	39	Accessories
OEZXR037	1SCA022277R5450	39	Accessories
OEZXR040	1SCA022656R8300	39	Accessories
OEZXR134	1SCA022277R5610	39	Accessories
OEZXR143	1SCA022277R5880	39	Accessories
OEZXR150	1SCA022277R6000	39	Accessories
OEZXR158	1SCA022277R6260	39	Accessories
OEZX143R	1SCA022350R3820	39	Accessories
OEZX158R	1SCA022350R3910	39	Accessories
OEZX2	1SCA022281R5340	39	Accessories
OS00-160A00FCC3B	1SCA022315R2690	36	Enclosed switch
OS00-160A00FCC4B	1SCA022315R2850	36	Enclosed switch
OS00-160A00LAA3B	1SCA022325R3530	36	Enclosed switch
OS00-160A00LAA3BZ	1SCA022325R3700	36	Enclosed switch
OS00-160A00LAA4B	1SCA022320R6450	36	Enclosed switch
OS00-160A00LAA4BZ	1SCA022320R6610	36	Enclosed switch
OS00-32A00FCC3B	1SCA022315R1450	35	Enclosed switch
OS00-32A00FCC4B	1SCA022315R1880	35	Enclosed switch
OS00-32A00LAA3B	1SCA022325R2560	36	Enclosed switch
OS00-32A00LAA3BZ	1SCA022325R2720	36	Enclosed switch
OS00-32A00LAA4B	1SCA022325R5310	36	Enclosed switch
OS00-32A00LAA4BZ	1SCA022325R5740	36	Enclosed switch
OS00-63A00FCC3B	1SCA022315R1610	35	Enclosed switch
OS00-63A00FCC4B	1SCA022315R2000	35	Enclosed switch
OS00-63A00LAA3B	1SCA022292R9600	36	Enclosed switch
OS00-63A00LAA3BZ	1SCA022325R2990	36	Enclosed switch
OS00-63A00LAA4B	1SCA022325R5910	36	Enclosed switch
OS00-63A00LAA4BZ	1SCA022320R5810	36	Enclosed switch
OS00A00FCC3B	1SCA022315R2260	35	Enclosed switch
OS00A00FCC4B	1SCA022315R2420	35	Enclosed switch
OS00A00LAA3B	1SCA022325R3110	36	Enclosed switch
OS00A00LAA3BZ	1SCA022325R3370	36	Enclosed switch
OS00A00LAA4B	1SCA022320R6020	36	Enclosed switch
OS00A00LAA4BZ	1SCA022320R6290	36	Enclosed switch
OS100GA4FCC3B	1SCA022280R8560	33	Enclosed switch
OS100GA4FCC4B	1SCA022280R7910	33	Enclosed switch
OS100GA4LUU2FZ	1SCA022320R7930	34	Enclosed switch
OS100GA4LUU3FZ	1SCA022320R9210	34	Enclosed switch
OS100GA4LUU4FZ	1SCA022320R6110	34	Enclosed switch
OS160BB2LUU2FZ	1SCA022320R8150	34	Enclosed switch
OS160BB2LUU3FZ	1SCA022320R9470	34	Enclosed switch
OS160BB2LUU4FZ	1SCA022320R6370	34	Enclosed switch
OS200BB2FCC3B	1SCA022280R9110	33	Enclosed switch
OS200BB2FCC4B	1SCA022280R9700	33	Enclosed switch
OS200BB2LUU2FZ	1SCA022320R8310	34	Enclosed switch
OS200BB2LUU3FZ	1SCA022320R9630	34	Enclosed switch
OS200BB2LUU4FZ	1SCA022320R6530	34	Enclosed switch
OS20PA1FUU3B	1SCA022280R9290	33	Enclosed switch
OS20PA1FUU4B	1SCA022280R9880	33	Enclosed switch
OS20PA1LMM3B	1SCA022281R1510	33	Enclosed switch
OS20PA1LMM4B	1SCA022281R2080	34	Enclosed switch
OS20PA1LUU3FZ	1SCA022320R8400	34	Enclosed switch
OS20PA1LUU4FZ	1SCA022321R0640	34	Enclosed switch
OS250D1FCC3B	1SCA022315R3070	35	Enclosed switch
OS250D1FCC4B	1SCA022315R3230	35	Enclosed switch
OS250D1LAA3B	1SCA022325R3960	36	Enclosed switch
OS250D1LAA3BZ	1SCA022325R4180	36	Enclosed switch
OS250D1LAA4B	1SCA022320R6880	36	Enclosed switch
OS250D1LAA4BZ	1SCA022320R7000	36	Enclosed switch
OS315BB3FCC3B	1SCA022281R0380	33	Enclosed switch
OS315BB3LUU2FZ	1SCA022320R8580	34	Enclosed switch
OS315BB3LUU3FZ	1SCA022320R9800	34	Enclosed switch
OS315BB3LUU4FZ	1SCA022320R6700	34	Enclosed switch
OS32GA3FCC3B	1SCA022281R1600	33	Enclosed switch
OS32GA3FCC4B	1SCA022280R6190	33	Enclosed switch

Type	Order number	Page	Description
OS32GA3LUU2FZ	1SCA022320R7510	34	Enclosed switch
OS32GA3LUU3FZ	1SCA022320R8820	34	Enclosed switch
OS32GA3LUU4FZ	1SCA022321R1020	34	Enclosed switch
OS32PA1FUU3B	1SCA022281R0460	33	Enclosed switch
OS32PA1FUU4B	1SCA022281R1010	33	Enclosed switch
OS32PA1LMM3B	1SCA022281R2670	33	Enclosed switch
OS32PA1LMM4B	1SCA022281R3210	34	Enclosed switch
OS32PA1LUU3FZ	1SCA022320R8660	34	Enclosed switch
OS32PA1LUU4FZ	1SCA022321R0810	34	Enclosed switch
OS400BB4FCC3B	1SCA022302R6630	33	Enclosed switch
OS400BB4LUU2FZ	1SCA022320R8740	34	Enclosed switch
OS400BB4LUU3FZ	1SCA022321R0050	34	Enclosed switch
OS400BB4LUU4FZ	1SCA022320R6960	34	Enclosed switch
OS400D2FCC3B	1SCA022315R3400	35	Enclosed switch
OS400D2FCC4B	1SCA022628R6070	35	Enclosed switch
OS400D2LAA3B	1SCA022292R9860	36	Enclosed switch
OS400D2LAA3BZ	1SCA022325R4340	36	Enclosed switch
OS400D2LAA4B	1SCA022320R7260	36	Enclosed switch
OS400D2LAA4BZ	1SCA022320R7420	36	Enclosed switch
OS630BC2LUU2FZ	1SCA022320R8910	34	Enclosed switch
OS630BC2LUU3FZ	1SCA022321R0210	34	Enclosed switch
OS630BC2LUU4FZ	1SCA022320R7180	34	Enclosed switch
OS630D3LAA3B	1SCA022325R4510	36	Enclosed switch
OS630D3LAA3BZ	1SCA022325R4770	36	Enclosed switch
OS630D3LAA4B	1SCA022320R7690	36	Enclosed switch
OS630D3LAA4BZ	1SCA022320R7850	36	Enclosed switch
OS63GA3FCC3B	1SCA022280R6780	33	Enclosed switch
OS63GA3FCC4B	1SCA022280R7320	33	Enclosed switch
OS63GA3LUU2FZ	1SCA022320R7770	34	Enclosed switch
OS63GA3LUU3FZ	1SCA022320R9040	34	Enclosed switch
OS63GA3LUU4FZ	1SCA022320R5990	34	Enclosed switch
OS800BC3LUU2FZ	1SCA022320R9120	34	Enclosed switch
OS800BC3LUU3FZ	1SCA022321R0480	34	Enclosed switch
OS800BC3LUU4FZ	1SCA022320R7340	34	Enclosed switch
OS800D3LAA3B	1SCA022325R4930	36	Enclosed switch
OS800D3LAA3BZ	1SCA022325R5150	36	Enclosed switch
OS800D3LAA4B	1SCA022320R8070	36	Enclosed switch
OS800D3LAA4BZ	1SCA022320R8230	36	Enclosed switch
OT1000KLA3B	1SCA022370R3830	18	Enclosed switch
OT1000KLA3BZ	1SCA022569R2870	15	Enclosed switch
OT1000KLA4B	1SCA022437R9760	19	Enclosed switch
OT1000KLA4BZ	1SCA022569R4220	16	Enclosed switch
OT1000KLU3BZ	1SCA022750R1780	15	Enclosed switch
OT1250KLA3B	1SCA022350R0640	18	Enclosed switch
OT1250KLA3BZ	1SCA022569R4310	15	Enclosed switch
OT1250KLA4B	1SCA022437R9480	19	Enclosed switch
OT1250KLA4BZ	1SCA022569R4490	16	Enclosed switch
OT1250KLU3BZ	1SCA022750R1860	15	Enclosed switch
OT125ALAA3B	1SCA022302R5910	18	Enclosed switch
OT125ALAA3BZ	1SCA022302R6710	15	Enclosed switch
OT125ALAA4B	1SCA022340R9560	19	Enclosed switch
OT125ALAA4BZ	1SCA022342R4870	16	Enclosed switch
OT125ALAA6BZ	1SCA022689R5090	17	Enclosed switch
OT125ALUU3BZ	1SCA022750R1430	15	Enclosed switch
OT125ALUU4BZ	1SCA022833R6770	16	Enclosed switch
OT125ALUU6BZ	1SCA022833R6930	17	Enclosed switch
OT125ELBB3B	1SCA022461R9070	18	Enclosed switch
OT125ELBB3BZ	1SCA022462R0240	15	Enclosed switch
OT125ELBB4B	1SCA022467R8910	19	Enclosed switch
OT125ELBB4BZ	1SCA022468R0140	16	Enclosed switch
OT1600KLA3B	1SCA022437R8520	18	Enclosed switch
OT1600KLA3BZ	1SCA022569R4570	15	Enclosed switch
OT1600KLA4B	1SCA022437R9920	19	Enclosed switch
OT1600KLA4BZ	1SCA022569R4650	16	Enclosed switch
OT1600KLU3BZ	1SCA022750R1940	15	Enclosed switch
OT160EFCC3B	1SCA022278R7030	12	Enclosed switch

Index

Type	Order number	Page	Description
OT160EFCC3BA	1SCA022833R6510	25	Enclosed switch
OT160EFCC4B	1SCA022548R6620	13	Enclosed switch
OT160EFCC4BA	1SCA022833R6690	26	Enclosed switch
OT160ELAA3B	1SCA022280R3410	18	Enclosed switch
OT160ELAA3BZ	1SCA022302R7100	15	Enclosed switch
OT160ELAA3C	1SCA022280R2100	20	Enclosed switch
OT160ELAA4B	1SCA022340R9720	19	Enclosed switch
OT160ELAA4BZ	1SCA022342R5090	16	Enclosed switch
OT160ELAA4C	1SCA022474R9100	20	Enclosed switch
OT160ELAA6BZ	1SCA022468R7400	17	Enclosed switch
OT160ELUU3BZ	1SCA022479R5120	15	Enclosed switch
OT160ELUU4BZ	1SCA022833R6850	16	Enclosed switch
OT160ELUU6BZ	1SCA022833R7070	17	Enclosed switch
OT16ELMM3B	1SCA022461R7960	18	Enclosed switch
OT16ELMM3BZ	1SCA022461R9150	15	Enclosed switch
OT16ELMM3C	1SCA022473R1070	20	Enclosed switch
OT16ELMM4B	1SCA022467R7940	19	Enclosed switch
OT16ELMM4BZ	1SCA022467R9050	16	Enclosed switch
OT16ELMM6BZ	1SCA022589R9620	17	Enclosed switch
OT16ELPP3C	1SCA022473R1310	20	Enclosed switch
OT200KFCC3B	1SCA022278R1510	12	Enclosed switch
OT200KFCC3BA	1SCA022833R9950	25	Enclosed switch
OT200KFCC4B	1SCA022530R4450	13	Enclosed switch
OT200KFCC4BA	1SCA022834R0530	26	Enclosed switch
OT200KLA3B	1SCA022280R4060	18	Enclosed switch
OT200KLA3BZ	1SCA022302R7520	15	Enclosed switch
OT200KLA3C	1SCA022280R2360	20	Enclosed switch
OT200KLA4B	1SCA022341R0140	19	Enclosed switch
OT200KLA4BZ	1SCA022342R5410	16	Enclosed switch
OT200KLA4C	1SCA022474R6930	20	Enclosed switch
OT200KLA6BZ	1SCA022177R9520	17	Enclosed switch
OT200KLUU3BZ	1SCA022602R0630	15	Enclosed switch
OT200KLUU4BZ	1SCA022800R5740	16	Enclosed switch
OT200KLUU6BZ	1SCA022802R4610	17	Enclosed switch
OT250KFCC3B	1SCA022278R2150	12	Enclosed switch
OT250KFCC3BA	1SCA022834R0020	25	Enclosed switch
OT250KFCC4B	1SCA022530R4530	13	Enclosed switch
OT250KFCC4BA	1SCA022834R0610	26	Enclosed switch
OT250KLA3B	1SCA022280R4650	18	Enclosed switch
OT250KLA3BZ	1SCA022302R7950	15	Enclosed switch
OT250KLA3C	1SCA022280R2520	20	Enclosed switch
OT250KLA4B	1SCA022341R0570	19	Enclosed switch
OT250KLA4BZ	1SCA022342R5840	16	Enclosed switch
OT250KLA4C	1SCA022474R7070	20	Enclosed switch
OT250KLA6BZ	1SCA022802R5770	17	Enclosed switch
OT250KLUU3BZ	1SCA022602R0710	15	Enclosed switch
OT250KLUU4BZ	1SCA022800R7360	16	Enclosed switch
OT250KLUU6BZ	1SCA022802R4530	17	Enclosed switch
OT25ELMM3B	1SCA022461R8180	18	Enclosed switch
OT25ELMM3BZ	1SCA022461R9310	15	Enclosed switch
OT25ELMM3C	1SCA022473R1580	20	Enclosed switch
OT25ELMM4B	1SCA022467R8160	19	Enclosed switch
OT25ELMM4BZ	1SCA022467R9210	16	Enclosed switch
OT25ELMM6BZ	1SCA022591R5330	17	Enclosed switch
OT25ELPP3C	1SCA022473R1740	20	Enclosed switch
OT315KFCC3B	1SCA022278R2740	12	Enclosed switch
OT315KFCC3BA	1SCA022834R0110	25	Enclosed switch
OT315KFCC4B	1SCA022548R6710	13	Enclosed switch
OT315KFCC4BA	1SCA022834R0700	26	Enclosed switch
OT315KLA3B	1SCA022280R5200	18	Enclosed switch
OT315KLA3BZ	1SCA022302R8330	15	Enclosed switch
OT315KLA3C	1SCA022280R2790	20	Enclosed switch
OT315KLA4B	1SCA022341R0900	19	Enclosed switch
OT315KLA4BZ	1SCA022342R6220	16	Enclosed switch
OT315KLA4C	1SCA022474R7150	20	Enclosed switch
OT315KLA6BZ	1SCA022804R1110	17	Enclosed switch

Type	Order number	Page	Description
OT315KLUU3BZ	1SCA022572R6010	15	Enclosed switch
OT315KLUU4BZ	1SCA022801R0070	16	Enclosed switch
OT315KLUU6BZ	1SCA022804R0900	17	Enclosed switch
OT32ELMM3B	1SCA022461R8340	18	Enclosed switch
OT32ELMM3BZ	1SCA022461R9580	15	Enclosed switch
OT32ELMM3C	1SCA022473R1910	20	Enclosed switch
OT32ELMM4B	1SCA022467R8320	19	Enclosed switch
OT32ELMM4BZ	1SCA022467R9480	16	Enclosed switch
OT32ELMM6BZ	1SCA022589R8810	17	Enclosed switch
OT32ELPP3C	1SCA022473R2120	20	Enclosed switch
OT400DFCC3B	1SCA022278R3390	12	Enclosed switch
OT400DFCC3BA	1SCA022834R0290	22	Enclosed switch
OT400DFCC4B	1SCA022609R5480	13	Enclosed switch
OT400DFCC4BA	1SCA022834R0880	26	Enclosed switch
OT400DLAA3B	1SCA022279R9710	18	Enclosed switch
OT400DLAA3BZ	1SCA022302R8760	15	Enclosed switch
OT400DLAA3C	1SCA022280R2950	20	Enclosed switch
OT400DLAA4B	1SCA022341R1380	19	Enclosed switch
OT400DLAA4BZ	1SCA022342R6650	16	Enclosed switch
OT400DLAA4C	1SCA022292R6680	20	Enclosed switch
OT400DLAA6BZ	1SCA022804R1200	17	Enclosed switch
OT400DLUU3BZ	1SCA022602R0800	15	Enclosed switch
OT400DLUU4BZ	1SCA022801R0660	16	Enclosed switch
OT400DLUU6BZ	1SCA022804R1030	17	Enclosed switch
OT45ELMM3B	1SCA022461R8510	18	Enclosed switch
OT45ELMM3BZ	1SCA022461R9740	15	Enclosed switch
OT45ELMM3C	1SCA022473R2390	20	Enclosed switch
OT45ELMM4B	1SCA022467R8590	19	Enclosed switch
OT45ELMM4BZ	1SCA022467R9640	16	Enclosed switch
OT45ELMM6BZ	1SCA022468R1380	17	Enclosed switch
OT45ELPP3C	1SCA022473R2550	20	Enclosed switch
OT630KFCC3B	1SCA022278R3980	12	Enclosed switch
OT630KFCC3BA	1SCA022834R0370	25	Enclosed switch
OT630KFCC4B	1SCA022584R5700	13	Enclosed switch
OT630KFCC4BA	1SCA022834R1000	26	Enclosed switch
OT630KLA3B	1SCA022280R0310	18	Enclosed switch
OT630KLA3BZ	1SCA022302R9140	15	Enclosed switch
OT630KLA3C	1SCA022280R3170	20	Enclosed switch
OT630KLA4B	1SCA022341R1710	19	Enclosed switch
OT630KLA4BZ	1SCA022342R7030	16	Enclosed switch
OT630KLA4C	1SCA022475R1180	21	Enclosed switch
OT630KLA6BZ	1SCA022834R1420	17	Enclosed switch
OT630KLUU3BZ	1SCA022750R1510	15	Enclosed switch
OT630KLUU4BZ	1SCA022830R4490	16	Enclosed switch
OT630KLUU6BZ	1SCA022834R1260	17	Enclosed switch
OT63ELMM3B	1SCA022461R8770	18	Enclosed switch
OT63ELMM3BZ	1SCA022461R9910	15	Enclosed switch
OT63ELMM3C	1SCA022473R2710	20	Enclosed switch
OT63ELMM4B	1SCA022467R7430	19	Enclosed switch
OT63ELMM4BZ	1SCA022467R9810	16	Enclosed switch
OT63ELMM6BZ	1SCA022468R1460	17	Enclosed switch
OT63ELPP3C	1SCA022473R2980	20	Enclosed switch
OT800KFCC3B	1SCA022303R0310	12	Enclosed switch
OT800KFCC3BA	1SCA022834R0450	25	Enclosed switch
OT800KFCC4B	1SCA022609R5560	13	Enclosed switch
OT800KFCC4BA	1SCA022834R1180	26	Enclosed switch
OT800KLA3B	1SCA022280R0910	18	Enclosed switch
OT800KLA3BZ	1SCA022302R9570	15	Enclosed switch
OT800KLA3C	1SCA022389R8310	20	Enclosed switch
OT800KLA4B	1SCA022337R4830	19	Enclosed switch
OT800KLA4BZ	1SCA022342R7460	16	Enclosed switch
OT800KLA4C	1SCA022580R4340	20	Enclosed switch
OT800KLA6BZ	1SCA022834R1340	17	Enclosed switch
OT800KLUU3BZ	1SCA022750R1600	15	Enclosed switch
OT800KLUU4BZ	1SCA022830R4570	16	Enclosed switch
OT800KLUU6BZ	1SCA022834R1690	17	Enclosed switch

Index

Type	Order number	Page	Description
OTL100B3B	1SCA022562R8350	15	Enclosed switch
OTL100B3U	1SCA022562R8430	15	Enclosed switch
OTL100B4B	1SCA022562R8510	16	Enclosed switch
OTL100B4U	1SCA022562R8600	16	Enclosed switch
OTL100BA3B	1SCA022562R8940	29	Enclosed switch
OTL100BA3U	1SCA022562R9080	29	Enclosed switch
OTL100BA4B	1SCA022562R9160	30	Enclosed switch
OTL100BA4U	1SCA022562R9240	30	Enclosed switch
OTL125B3B	1SCA022562R9590	15	Enclosed switch
OTL125B3U	1SCA022562R9670	15	Enclosed switch
OTL125B4B	1SCA022562R9830	16	Enclosed switch
OTL125B4U	1SCA022562R9910	16	Enclosed switch
OTL125BA3B	1SCA022563R0250	29	Enclosed switch
OTL125BA3U	1SCA022563R0330	29	Enclosed switch
OTL125BA4B	1SCA022563R0410	30	Enclosed switch
OTL125BA4U	1SCA022563R0500	30	Enclosed switch
OTL16B3M	1SCA022562R1260	15	Enclosed switch
OTL16B4M	1SCA022562R4120	16	Enclosed switch
OTL16B6M	1SCA022562R1690	17	Enclosed switch
OTL16BA3M	1SCA022562R1850	29	Enclosed switch
OTL16BA4M	1SCA022562R2070	30	Enclosed switch
OTL16BA6M	1SCA022562R2230	31	Enclosed switch
OTL25B3M	1SCA022562R2400	15	Enclosed switch
OTL25B4M	1SCA022562R2660	16	Enclosed switch
OTL25B6M	1SCA022562R2820	17	Enclosed switch
OTL25BA3M	1SCA022562R3040	29	Enclosed switch
OTL25BA4M	1SCA022562R3210	30	Enclosed switch
OTL25BA6M	1SCA022562R3470	31	Enclosed switch
OTL32B3M	1SCA022562R3630	15	Enclosed switch
OTL32B4M	1SCA022562R3800	16	Enclosed switch
OTL32B6M	1SCA022562R4010	17	Enclosed switch
OTL32BA3M	1SCA022562R4100	29	Enclosed switch
OTL32BA4M	1SCA022562R4360	30	Enclosed switch
OTL32BA6M	1SCA022562R4520	31	Enclosed switch
OTL45B3M	1SCA022562R4790	15	Enclosed switch
OTL45B4M	1SCA022562R4950	16	Enclosed switch
OTL45B6B	1SCA022610R4730	17	Enclosed switch
OTL45B6U	1SCA022610R4810	17	Enclosed switch
OTL45BA3M	1SCA022562R5330	29	Enclosed switch
OTL45BA4M	1SCA022562R5500	30	Enclosed switch
OTL45BA6B	1SCA022610R5110	31	Enclosed switch
OTL45BA6U	1SCA022610R5200	31	Enclosed switch
OTL63B3M	1SCA022562R5920	15	Enclosed switch
OTL63B4M	1SCA022562R6140	16	Enclosed switch
OTL63B6B	1SCA022610R4900	17	Enclosed switch
OTL63B6U	1SCA022610R5030	17	Enclosed switch
OTL63BA3M	1SCA022562R6570	29	Enclosed switch
OTL63BA4M	1SCA022562R6730	30	Enclosed switch
OTL63BA6B	1SCA022610R5380	31	Enclosed switch
OTL63BA6U	1SCA022610R5460	31	Enclosed switch
OTP125B3B	1SCA022383R3700	12	Enclosed switch
OTP125B3M	1SCA022812R7180	12	Enclosed switch
OTP125B3U	1SCA022401R3270	12	Enclosed switch
OTP125B4B	1SCA022401R5210	13	Enclosed switch
OTP125B4M	1SCA022812R7260	13	Enclosed switch
OTP125B4U	1SCA022401R5300	13	Enclosed switch
OTP125B6B	1SCA022401R6610	14	Enclosed switch
OTP125B6M	1SCA022812R7340	14	Enclosed switch
OTP125B6U	1SCA022401R6700	14	Enclosed switch
OTP125BA3B	1SCA022389R7420	25	Enclosed switch
OTP125BA3M	1SCA022812R7420	25	Enclosed switch
OTP125BA3U	1SCA022401R3940	25	Enclosed switch
OTP125BA4B	1SCA022571R8510	26	Enclosed switch
OTP125BA4M	1SCA022812R7510	26	Enclosed switch
OTP125BA4U	1SCA022459R7160	26	Enclosed switch
OTP125BA6B	1SCA022401R7510	27	Enclosed switch

Type	Order number	Page	Description
OTP125BA6M	1SCA022812R7690	27	Enclosed switch
OTP125BA6U	1SCA022401R7690	27	Enclosed switch
OTP16B3M	1SCA022383R2130	12	Enclosed switch
OTP16B3M25	1SCA022699R2880	12	Enclosed switch
OTP16B3P	1SCA022383R0940	12	Enclosed switch
OTP16B4M	1SCA022401R4160	13	Enclosed switch
OTP16B4P	1SCA022419R8620	13	Enclosed switch
OTP16B6M	1SCA022401R5560	14	Enclosed switch
OTP16B6P	1SCA022401R5480	14	Enclosed switch
OTP16BA3M	1SCA022401R3350	25	Enclosed switch
OTP16BA3M25	1SCA022699R2960	25	Enclosed switch
OTP16BA3MS	1SCA022643R0530	28	Enclosed switch
OTP16BA3P	1SCA022389R6880	25	Enclosed switch
OTP16BA4M	1SCA022459R6510	26	Enclosed switch
OTP16BA4MS	1SCA022643R0610	28	Enclosed switch
OTP16BA4P	1SCA022401R4080	26	Enclosed switch
OTP16BA6M	1SCA022401R6880	27	Enclosed switch
OTP16BA6P	1SCA022394R5330	27	Enclosed switch
OTP16BA8MS	1SCA022643R0700	28	Enclosed switch
OTP16HB3M	1SCA022401R2970	12	Enclosed switch
OTP16HB3M25	1SCA022699R3690	12	Enclosed switch
OTP16HB3P	1SCA022389R6700	12	Enclosed switch
OTP16HB3U	1SCA022401R3010	12	Enclosed switch
OTP25B3M	1SCA022383R2640	12	Enclosed switch
OTP25B3P	1SCA022383R2560	12	Enclosed switch
OTP25B4M	1SCA022401R4320	13	Enclosed switch
OTP25B4P	1SCA022401R4240	13	Enclosed switch
OTP25B6M	1SCA022401R5720	14	Enclosed switch
OTP25B6P	1SCA022401R5640	14	Enclosed switch
OTP25BA3M	1SCA022401R3430	25	Enclosed switch
OTP25BA3P	1SCA022389R6960	25	Enclosed switch
OTP25BA4M	1SCA022459R6600	26	Enclosed switch
OTP25BA4P	1SCA022433R8140	26	Enclosed switch
OTP25BA6M	1SCA022401R6960	27	Enclosed switch
OTP25BA6P	1SCA022394R5410	27	Enclosed switch
OTP32B3M	1SCA022389R8400	12	Enclosed switch
OTP32B3P	1SCA022389R7510	12	Enclosed switch
OTP32B4M	1SCA022401R4590	13	Enclosed switch
OTP32B4P	1SCA022401R4410	13	Enclosed switch
OTP32B6M	1SCA022401R5990	14	Enclosed switch
OTP32B6P	1SCA022401R5810	14	Enclosed switch
OTP32BA3M	1SCA022401R3510	25	Enclosed switch
OTP32BA3MS	1SCA022643R0880	28	Enclosed switch
OTP32BA3P	1SCA022389R7000	25	Enclosed switch
OTP32BA4M	1SCA022459R6780	26	Enclosed switch
OTP32BA4P	1SCA022433R8220	26	Enclosed switch
OTP32BA6M	1SCA022401R7000	27	Enclosed switch
OTP32BA6P	1SCA022394R5680	27	Enclosed switch
OTP32BA8MS	1SCA022643R1000	28	Enclosed switch
OTP45B3M	1SCA022383R3020	12	Enclosed switch
OTP45B3P	1SCA022383R2990	12	Enclosed switch
OTP45B4M	1SCA022401R4750	13	Enclosed switch
OTP45B4P	1SCA022401R4670	13	Enclosed switch
OTP45B6M	1SCA022401R6110	14	Enclosed switch
OTP45B6P	1SCA022401R6020	14	Enclosed switch
OTP45BA3M	1SCA022401R3600	25	Enclosed switch
OTP45BA3P	1SCA022389R7180	25	Enclosed switch
OTP45BA4M	1SCA022459R6860	26	Enclosed switch
OTP45BA4P	1SCA022571R5080	26	Enclosed switch
OTP45BA6M	1SCA022401R7180	27	Enclosed switch
OTP45BA6P	1SCA022394R5840	27	Enclosed switch
OTP63B3M	1SCA022383R3450	12	Enclosed switch
OTP63B3P	1SCA022383R3370	12	Enclosed switch
OTP63B4M	1SCA022401R4910	13	Enclosed switch
OTP63B4P	1SCA022401R4830	13	Enclosed switch
OTP63B6M	1SCA022401R6370	14	Enclosed switch

Index

Type	Order number	Page	Description
OTP63B6P	1SCA022401R6290	14	Enclosed switch
OTP63BA3M	1SCA022401R3780	25	Enclosed switch
OTP63BA3P	1SCA022389R7260	25	Enclosed switch
OTP63BA4M	1SCA022459R6940	26	Enclosed switch
OTP63BA4P	1SCA022571R5160	26	Enclosed switch
OTP63BA6M	1SCA022401R7260	27	Enclosed switch
OTP63BA6P	1SCA022394R5760	27	Enclosed switch
OTR100B3B	1SCA022568R0510	21	Enclosed switch
OTR100B3U	1SCA022568R0600	21	Enclosed switch
OTR100B4B	1SCA022568R2130	21	Enclosed switch
OTR100B4U	1SCA022568R2210	21	Enclosed switch
OTR100BA3B	1SCA022569R7320	32	Enclosed switch
OTR100BA3U	1SCA022569R7590	32	Enclosed switch
OTR100BA4B	1SCA022569R7410	32	Enclosed switch
OTR100BA4U	1SCA022569R7670	32	Enclosed switch
OTR125B3B	1SCA022568R0780	21	Enclosed switch
OTR125B3U	1SCA022568R0860	21	Enclosed switch
OTR125B4B	1SCA022568R2300	21	Enclosed switch
OTR125B4U	1SCA022568R2480	21	Enclosed switch
OTR125BA3B	1SCA022569R7750	32	Enclosed switch
OTR125BA3U	1SCA022569R7910	32	Enclosed switch
OTR125BA4B	1SCA022569R7830	32	Enclosed switch
OTR125BA4U	1SCA022569R8050	32	Enclosed switch
OTR16B3M	1SCA022567R9420	21	Enclosed switch
OTR16B4M	1SCA022568R1080	21	Enclosed switch
OTR16B6M	1SCA022575R2440	21	Enclosed switch
OTR16BA3M	1SCA022569R5110	32	Enclosed switch
OTR16BA4M	1SCA022569R5200	32	Enclosed switch
OTR16BA6M	1SCA022575R2610	32	Enclosed switch
OTR25B3M	1SCA022567R9690	21	Enclosed switch
OTR25B4M	1SCA022568R1240	21	Enclosed switch
OTR25B6M	1SCA022575R2870	21	Enclosed switch
OTR25BA3M	1SCA022569R5540	32	Enclosed switch
OTR25BA4M	1SCA022569R5620	32	Enclosed switch
OTR25BA6M	1SCA022575R3090	32	Enclosed switch
OTR32B3M	1SCA022567R9850	21	Enclosed switch
OTR32B4M	1SCA022568R1410	21	Enclosed switch
OTR32B6M	1SCA022575R3250	21	Enclosed switch
OTR32BA3M	1SCA022569R5970	32	Enclosed switch
OTR32BA4M	1SCA022569R6010	32	Enclosed switch
OTR32BA6M	1SCA022575R3410	32	Enclosed switch
OTR45B3M	1SCA022567R0010	21	Enclosed switch
OTR45B4M	1SCA022568R1670	21	Enclosed switch
OTR45B6B	1SCA022611R6660	21	Enclosed switch
OTR45B6U	1SCA022611R6820	21	Enclosed switch
OTR45BA3M	1SCA022569R6350	32	Enclosed switch
OTR45BA4M	1SCA022569R6430	32	Enclosed switch
OTR45BA6B	1SCA022611R6910	32	Enclosed switch
OTR45BA6U	1SCA022611R7040	32	Enclosed switch
OTR63B3M	1SCA022567R0270	21	Enclosed switch
OTR63B4M	1SCA022568R1830	21	Enclosed switch
OTR63B6B	1SCA022611R7120	21	Enclosed switch
OTR63B6U	1SCA022611R7210	21	Enclosed switch
OTR63BA3M	1SCA022569R6780	32	Enclosed switch
OTR63BA4M	1SCA022569R6860	32	Enclosed switch
OTR63BA6B	1SCA022611R7390	32	Enclosed switch
OTR63BA6U	1SCA022611R7470	32	Enclosed switch
OTZC13	1SCA022767R6910	43	Enclosure accessories
OTZC14	1SCA022767R7040	43	Enclosure accessories
OTZC23	1SCA022767R7120	43	Enclosure accessories
OTZC24	1SCA022767R7210	43	Enclosure accessories
OTZC33	1SCA022785R7020	43	Enclosure accessories
OTZC34	1SCA022785R7110	43	Enclosure accessories
OZXA32	1SCA022683R4110	43	Enclosure accessories
OZXA33	1SCA022685R0310	43	Enclosure accessories
OZXA38	1SCA022790R3740	43	Enclosure accessories

Type	Order number	Page	Description
OZXA39	1SCA022785R2490	43	Enclosure accessories
OZXK1	2CMA144522R1000r	38	Accessories
OZXK12	2CMA144521R1000	38	Accessories
OZXK2	1SCA022131R8850	38	Accessories
OZXK4	1SCA022131R9230	38	Accessories
OZXK5	1SCA022131R9400	38	Accessories
YMF-MB10215	1SCA022191R2170	41	Enclosure accessories
YMF-MB10674	1SCA022229R0010	41	Enclosure accessories
YMF-MB10861SET	1SCA022715R9090	41	Enclosure accessories
YMF-MB10862SET	1SCA022715R9170	41	Enclosure accessories
YMF-MK10440	1SCA022660R7130	41	Enclosure accessories



ABB Oy
Low Voltage Products
P.O. Box 622
FI-65101 VAASA, Finland
Telephone +358 10 22 11
Telefax +358 10 22 45708
www.abb.com

ABB AB
Cewe-Control
Box 1005
SE-611 29 NYKÖPING, Sweden
Telephone +46 155 29 50 00
Telefax +46 155 28 81 10
www.abb.com

The technical data and dimensions are valid at the time of printing.
We reserve the right to subsequent alterations.